

COMMANDER Omni Fiberglass Antenna, 216-225, 8.1dBi, N Female

Please visit us on the internet at <http://www.commandertech.com>

Product Description

Commander VHF base Station Antennas incorporate the design features of 9 MHz broadband capability, improved lightning protection and true omnidirectional gain in excess of 5 dBd

Note: Below 150 MHz, rated gain is 4.8 dBd due to length constraints. Side mounting hardware is available for the 220 to achieve special radiation patterns.



220 Series

Features/Benefits

Fiberglass construction protects radiating elements in corrosive environments. DC grounded - affords lightning protection
Copper radiating elements minimize possibility of intermod generation

Technical Specifications

| | |
|---|---|
| Frequency Band | 25-299.9 MHz |
| Horizontal Pattern | Omni Directional |
| Antenna Type | Fiberglass Omni |
| Electrical Down Tilt Option | Fixed |
| Gain, dBi (dBd) | 8.1 (6) |
| Frequency Range, MHz | 216-225 |
| Connector Type | N Female |
| Connector Location | Bottom |
| Mounting Type | Fixed |
| Electrical Down Tilt, deg | 0 |
| Orientation | Upright |
| Mounting Hardware | 46 Clamp Set |
| Rated Wind Speed, km/h (mph) | 160 (100) |
| Gain (Omni), dBi (dBd) | 8.14 (6) |
| VSWR | < 1.6 : 1 |
| Vertical Beamwidth, deg | 16 |
| Polarization | Vertical |
| Maximum Power Input, W | 500 |
| Lightning Protection | Direct Ground |
| 3rd Order IMP @ 2 x 43 dBm, dBc | -130 |
| Impedance, Ohms | 50 |
| Overall Length, m (ft) | 5.73 (18.8) |
| Element Housing Length, m (ft) | 5.06 (16.6) |
| Mounting Pipe Diameter, m (in) | 0.07 (2.75) |
| Support Pipe Length, m (ft) | 0.69 (2.25) |
| Weight, kg (lb) | 10 (21) |
| Radiating Element Material | Copper |
| Element Housing Material | Fiberglass |
| Support Pipe Material | Aluminum Alloy |
| Max Wind Loading Area m ² (ft ²) | 0.197(2.12) |
| Survival Wind Speed, km/h (mph) | 200 (125) |
| Bend Mom @ Rated Wind 1" Below Top of Mt Pipe, N m (ft lbf) | 967 (713) |
| Wind Load - Side @ Rated Wind, N (lbf) | 378 (85) |
| Shipping Weight, kg (lb) | 25.9 (57) |
| Packing Dimensions, HxWxD mm (in) | 6400 x 100 x 100 (251.96 X 3.94 X 3.94) |
| Packing Dimensions, HxWxD, m (ft) | 6.4 x 0.1 x 0.1 (21 x 0.33 x 0.33) |
| Shipping Dimensions of Accessory, HxWxD, m (ft) | Packed with Antenna |
| Shipping Mode | Common Carrier |

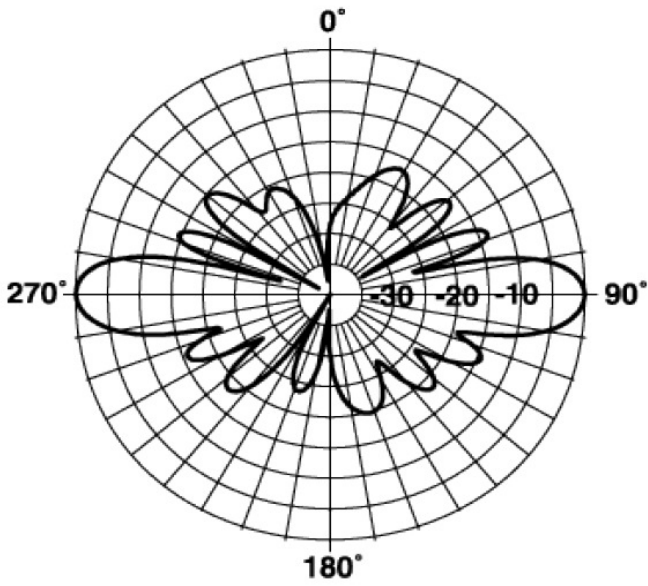
Notes

All information contained in this datasheet is subject to confirmation at time of ordering

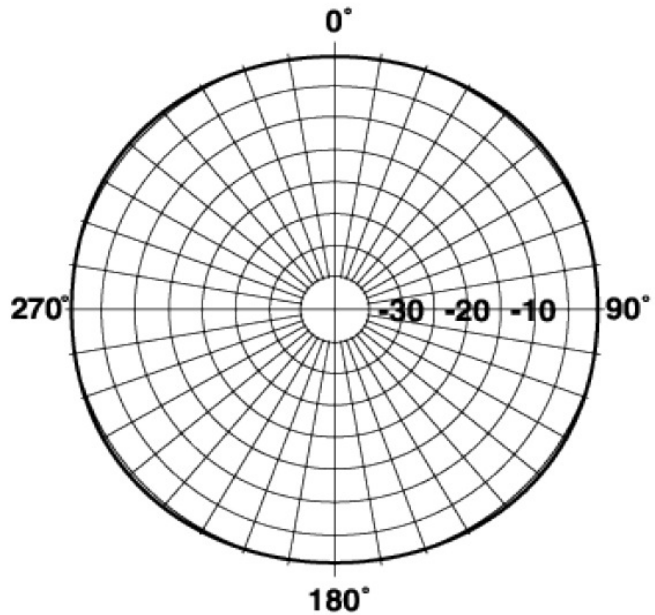
COMMANDER Omni Fiberglass Antenna, 216-225, 8.1dBi, N Female

Please visit us on the internet at <http://www.commandertech.com>

Other Documentation



Vertical Pattern



Horizontal Pattern

All information contained in this datasheet is subject to confirmation at time of ordering