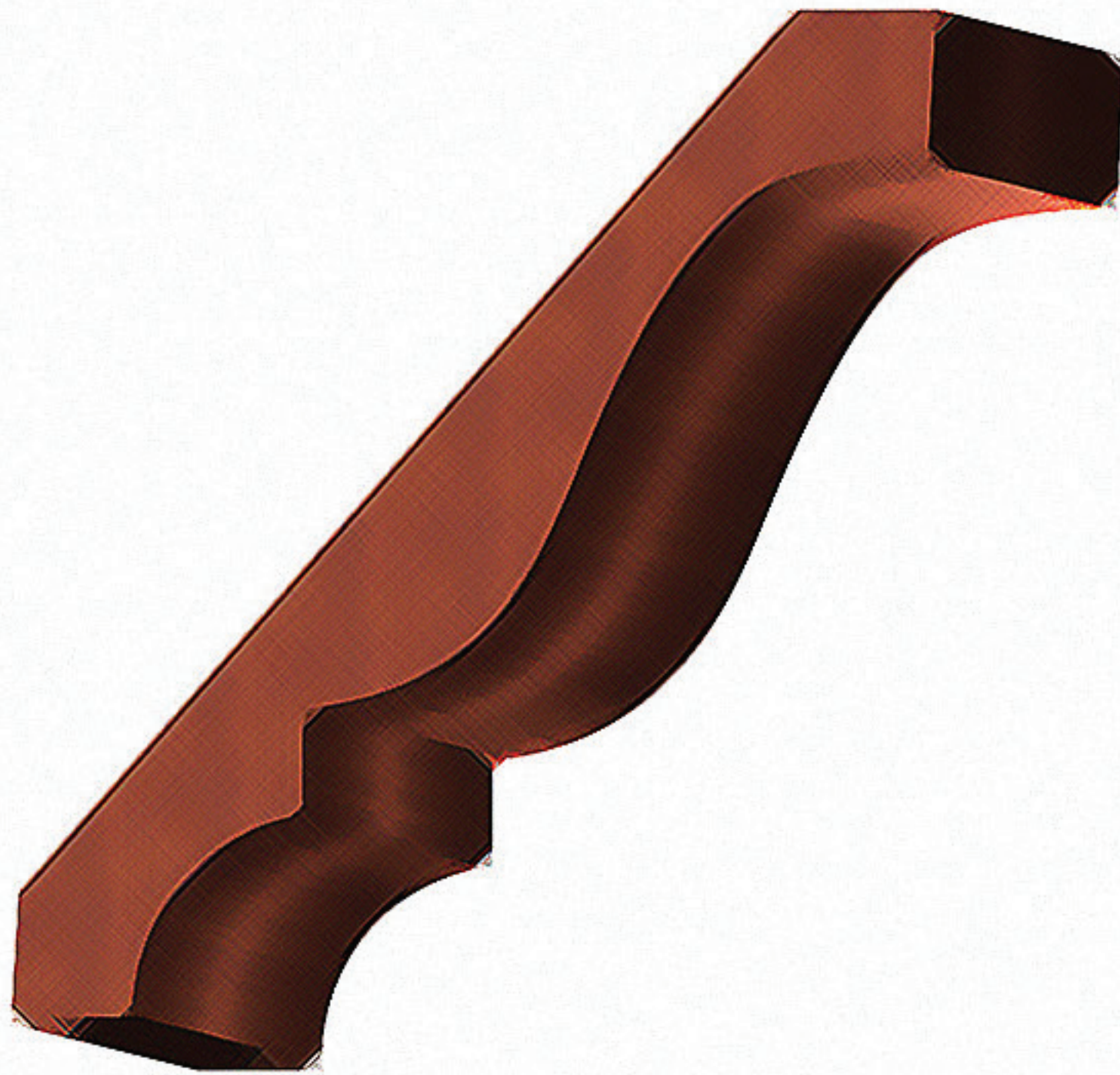


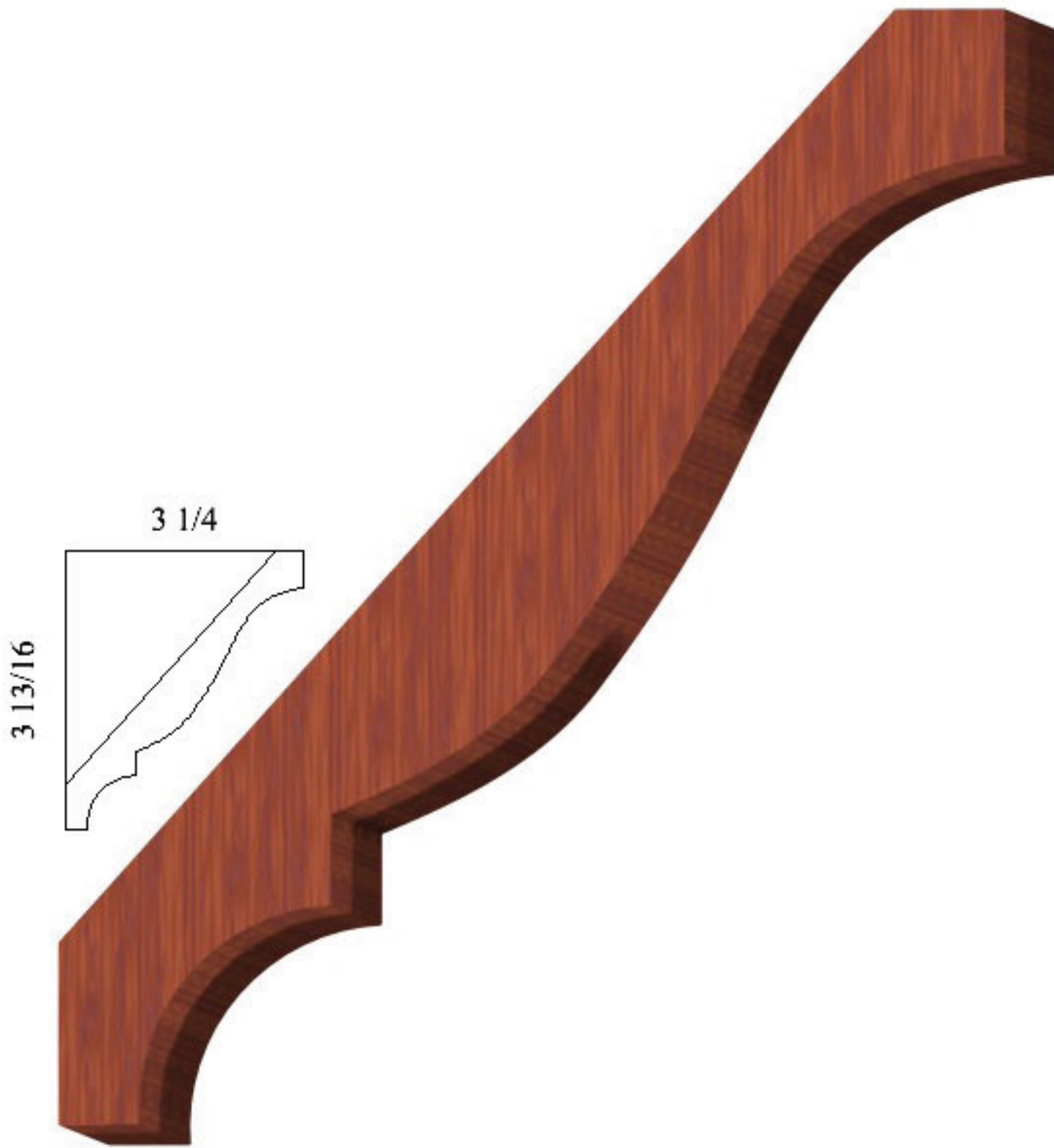
# CROWN



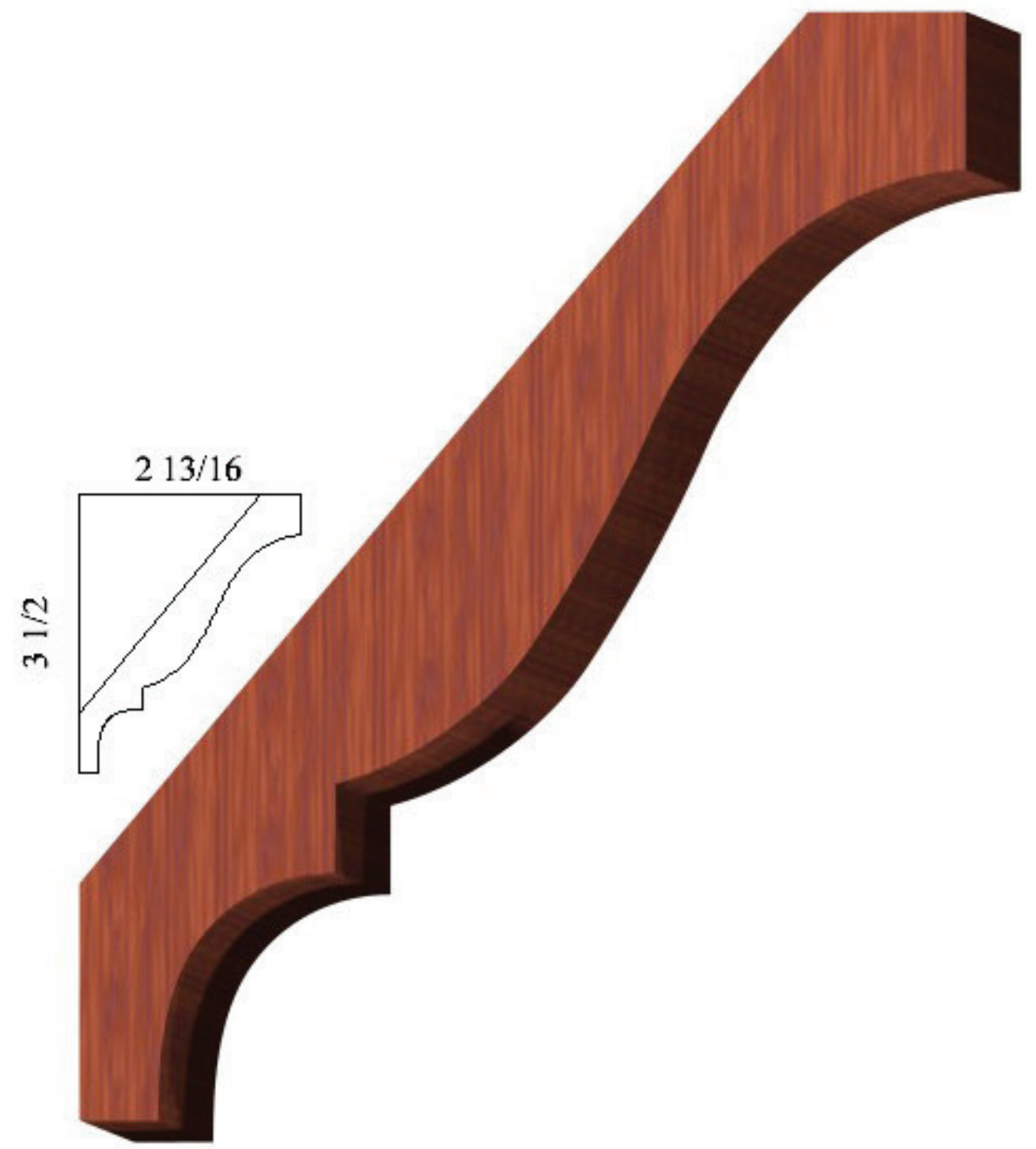
ID#	Page #	Dimension	ID#	Page #	Dimension
CR01	70	3/4 x 4-1/2	CR42	45	3/4 x 4-15/16
CR02	66	3/4 x 3-5/16	CR43	45	3/4 x 3-3/16
CR03	50	7/8 x 5-1/2	CR44	43	1-1/16 x 4-1/4
CR04	45	1-1/4 x 6	CR45	54	3/4 x 3-1/2
CR05	37	11/16 x 1-9/16	CR46	50	5/8 x 15/16
CR06	37	3/4 x 1-1/16	CR47	31	5/8 x 3-1/4
CR07	38	1-1/4 x 2-3/16	CR48	54	5/8 x 2-5/8
CR08	66	7/8 x 4-1/4	CR49	54	9/16 x 1-13/16
CR09	37	7/8 x 1-1/8	CR50	60	1-1/16 x 5-5/16
CR10	37	3/4 x 1-1/2	CR51	33	3/4 x 5-3/8
CR11	30	3/4 x 4-1/4	CR52	35	3/4 x 5-3/4
CR12	70	5/8 x 3-5/16	CR53	32	1-5/16 x 7
CR13	37	3/4 x 1-1/16	CR54	62	7/8 x 2-1/4
CR14	37	1 x 1-3/4	CR55	55	1/2 x 2-1/4
CR15	37	3/4 x 1-1/16	CR56	36	11/16 x 3-3/8
CR16	39	1-11/16 x 1-11/16	CR57	31	5/8 x 1-3/4
CR17	37	1-1/4 x 2	CR58	41	5/8 x 2-1/4
CR18	37	3/4 x 1-11/16	CR59	37	15/16 x 1-5/8
CR19	37	3/4 x 1-1/2	CR60	43	3/4 x 4-1/8
CR20	45	11/16 x 4-1/8	CR61	37	15/16 x 1-13/16
CR21	37	5/8 x 7/8	CR62	50	3/4 x 5/8
CR22	38	1-1/2 x 3-1/4	CR63	67	11/16 x 4-1/2
CR23	45	11/16 x 3-1/4	CR64	36	1/2 x 2-9/16
CR24	60	11/16 x 3-5/8	CR65	55	3/4 x 1-11/16
CR25	43	9/16 x 2	CR66	63	1-1/2 x 4-1/16
CR26	38	1-3/4 x 2-7/8	CR67	42	1-5/16 x 5-1/2
CR27	31	5/8 x 2-3/4	CR68	32	3/4 x 7-1/2
CR28	30	3/4 x 4-1/2	CR69	46	13/16 x 6-1/8
CR29	35	3/4 x 4-1/16	CR70	64	7/8 x 6-1/2
CR30	30	3/4 x 5-1/8	CR71	56	3/4 x 4-3/4
CR31	36	3/4 x 3-5/8	CR72	68	13/16 x 6-1/4
CR32	43	3/4 x 2-1/2	CR73	51	13/16 x 6
CR33	31	5/8 x 2-1/4	CR74	55	7/8 x 1-7/16
CR34	56	7/8 x 5-5/16	CR75	60	3/4 x 3-3/4
CR35	46	7/8 x 6	CR76	47	1/2 x 3-1/16
CR36	67	7/8 x 5-13/16	CR77	60	1/4 x 5-3/8
CR37	47	3/4 x 1-13/16	CR78	71	3/4 x 6-1/2
CR38	67	3/4 x 5-9/16	CR79	67	3/4 x 6-1/2
CR39	70	5/8 x 5-1/16	CR80	41	1-3/8 x 4-11/16
CR40	50	3/4 x 3-13/16	CR81	56	7/8 x 3-11/16
CR41	41	1-3/8 x 5-3/4	CR82	38	1-1/16 x 2-3/16

ID#	Page #	Dimension	ID#	Page #	Dimension
CR83	35	7/8 x 6-5/16	CR124	51	3/4 x 2-1/2
CR84	57	13/16 x 5	CR125	66	11/16 x 2-7/8
CR85	31	1-1/16 x 5-7/16	CR126	40	13/16 x 1-1/4
CR86	50	3/4 x 3-3/4	CR127	36	3/4 x 3-1/4
CR87	48	13/16 x 6	CR128	54	3/4 x 3-1/4
CR88	51	3/4 x 3-9/16	CR129	51	3/4 x 3-1/4
CR89	70	3-1/16 x 4-3/16	CR130	49	1-1/4 x 6-5/8
CR90	47	1-11/16 x 7	CR131	68	1/4 x 4-1/4
CR91	47	1-1/16 x 5-9/16	CR132	33	5/8 x 4-9/16
CR92	50	11/16 x 5-3/16	CR133	31	3/4 x 5-7/16
CR93	56	9/16 x 4-3/16	CR134	45	1/2 x 3-1/16
CR94	68	3/4 x 4-7/8	CR135	64	3/4 x 4-11/16
CR95	42	3/4 x 3-9/16	CR136	56	13/16 x 4
CR96	56	5/8 x 3-1/8	CR137	-	-
CR97	42	3/4 x 2-1/4	CR138	39	1-7/8 x 1-15/16
CR98	40	1-3/4 x 2	CR139	73	3/4 x 3
CR99	41	1/2 x 2	CR140	43	1-3/8 x 3-7/8
CR100	69	1-1/4 x 7-5/8	CR141	58	3/4 x 2-1/8
CR101	69	1-3/8 x 7	CR142	44	3/4 x 5-3/4
CR102	73	1 x 5-3/16	CR143	73	1/2 x 5/8
CR103	40	1-5/8 x 1-5/8	CR144	73	5/8 x 5/8
CR104	57	1/8 x 6-9/16	CR145	73	1/2 x 5/8
CR105	61	1-1/4 x 5-3/8	CR146	65	5/8 x 2-7/8
CR106	62	3/4 x 3-1/2	CR147	42	1-1/8 x 3
CR107	61	3/4 x 4-13/16	CR148	55	13/16 x 3-1/16
CR108	-	-	CR149	66	5/8 x 3-1/4
CR109	47	3/4 x 3-1/2	CR150	41	3/4 x 3-1/2
CR110			CR151	39	1-1/8 x 2-3/16
CR111	61	3/4 x 3-3/4	CR152	55	7/8 x 2-1/4
CR112	-	-	CR153	58	7/8 x 3-11/16
CR113	70	9/16 x 3-5/16	CR154	62	11/16 x 2
CR114	47	3/4 x 5-9/16	CR155	62	13/16 x 2-13/16
CR115	54	1-3/16 x 3	CR156	62	13/16 x 4
CR116	31	13/16 x 3-5/16	CR157	58	9/16 x 3-5/8
CR117	55	13/16 x 3	CR158	44	3/4 x 3-5/16
CR118	-	-	CR159	-	-
CR119	-	-	CR160	48	3/4 x 5-5/16
CR120	36	3/4 x 3-13/16	CR161	49	11/16 x 3-3/8
CR121	51	3/4 x 2-1/2	CR162	63	1-1/4 x 5-3/8
CR122	73	3/4 x 2-15/16	CR163	63	13/16 x 3-11/16
CR123	54	13/16 x 3-15/16	CR164	-	-

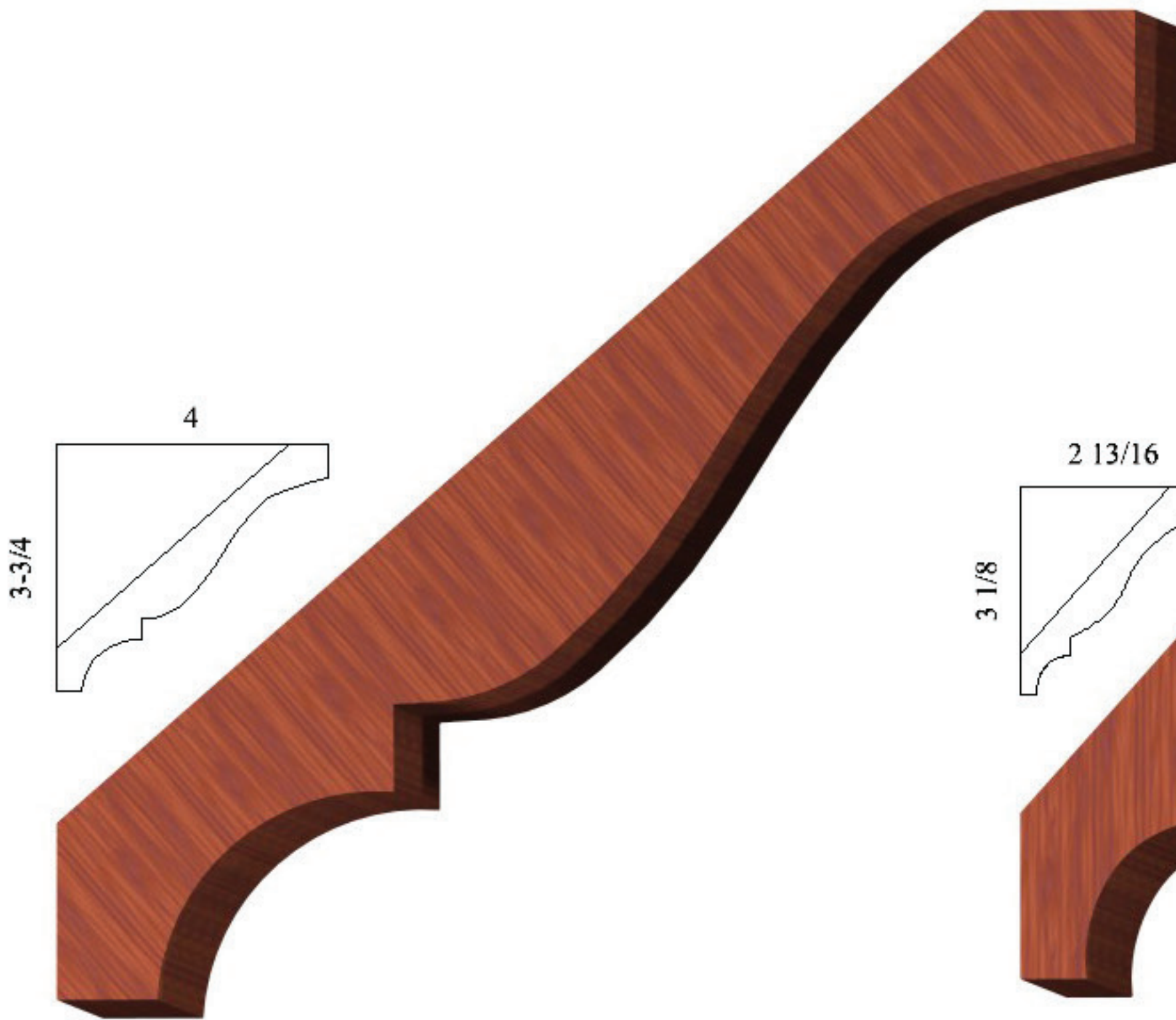
ID#	Page #	Dimension	ID#	Page #	Dimension
CR165	39	1-7/8 x 3-3/16	CR206	-	-
CR166	39	1-3/4 x 1-7/8	CR207	55	7/8 x 4-7/16
CR167	39	1 x 1-5/16	CR208	38	1-3/4 x 3-1/4
CR168	38	1-7/16 x 2-1/2	CR209	40	7/8 x 2-1/2
CR169	33	1/2 x 2-9/16	CR210	42	1-1/2 x 4-5/16
CR170	71	7/8 x 6-1/8	CR211	73	1-3/8 x 4-3/8
CR171	48	3/4 x 6-7/8	CR212	40	3/4 x 1-1/2
CR172	39	3/4 x 1-3/4	CR213	63	1-5/8 x 5-5/16
CR173	49	1-1/2 x 4-5/8	CR214	49	7/8 x 3-3/8
CR174	-	-	CR215	52	3/4 x 2-3/4
CR175	64	5/8 x 3-1/4	CR216	30	3/4 x 5-1/2
CR176	53	1-1/8 x 8-1/8	CR217	32	3/4 x 5-1/2
CR177	33	1-11/16 x 3-5/16	CR218	40	13/16 x 15/16
CR178	33	7/16 x 2-1/4	CR219	54	3/4 x 2-1/8
CR179	34	7/8 x 7-3/16	CR220	52	13/16 x 2-5/8
CR180	44	3/4 x 3-13/16	CR221	62	3/4 x 2-5/8
CR181	65	13/16 x 4-5/8	CR222	40	1-5/8 x 2-5/8
CR182	46	9/16 x 3-3/16	CR223	52	13/16 x 2-7/8
CR183	-	-	CR224	46	3/4 x 4-5/8
CR184	44	1 x 3-15/16	CR225	40	1-3/8 x 2-5/8
CR185	33	1/2 x 1-11/16	CR226	-	-
CR186	72	1-1/4 x 6-13/16	CR227	39	1-1/16 x 1-3/4
CR187	34	3/4 x 5-1/4	CR228	57	1-1/2 x 6-1/2
CR188	70	5/8 x 3-13/16	CR229	65	13/16 x 3-1/2
CR189	52	7/8 x 3-3/4	CR230	-	-
CR190	52	13/16 x 3-1/2	CR231	40	1-7/8 x 2-5/8
CR191	39	1-3/4 x 3	CR232	36	3/4 x 3-3/4
CR192	58	1-1/8 x 5-9/16			
CR193	53	7/8 x 4-1/4			
CR194	44	3/4 x 3-5/8			
CR195	68	15/16 x 5-3/4			
CR196	34	1-1/16 x 4-5/8			
CR197	64	3/4 x 4-1/4			
CR198	59	1-1/2 x 9-1/4			
CR199	52	3 x 4			
CR200	42	7/8 x 4-1/2			
CR201	-	-			
CR202	40	3/4 x 3/4			
CR203	66	3/4 x 3			
CR204	47	1/2 x 1-1/4			
CR205	59	1-1/8 x 5-3/4			



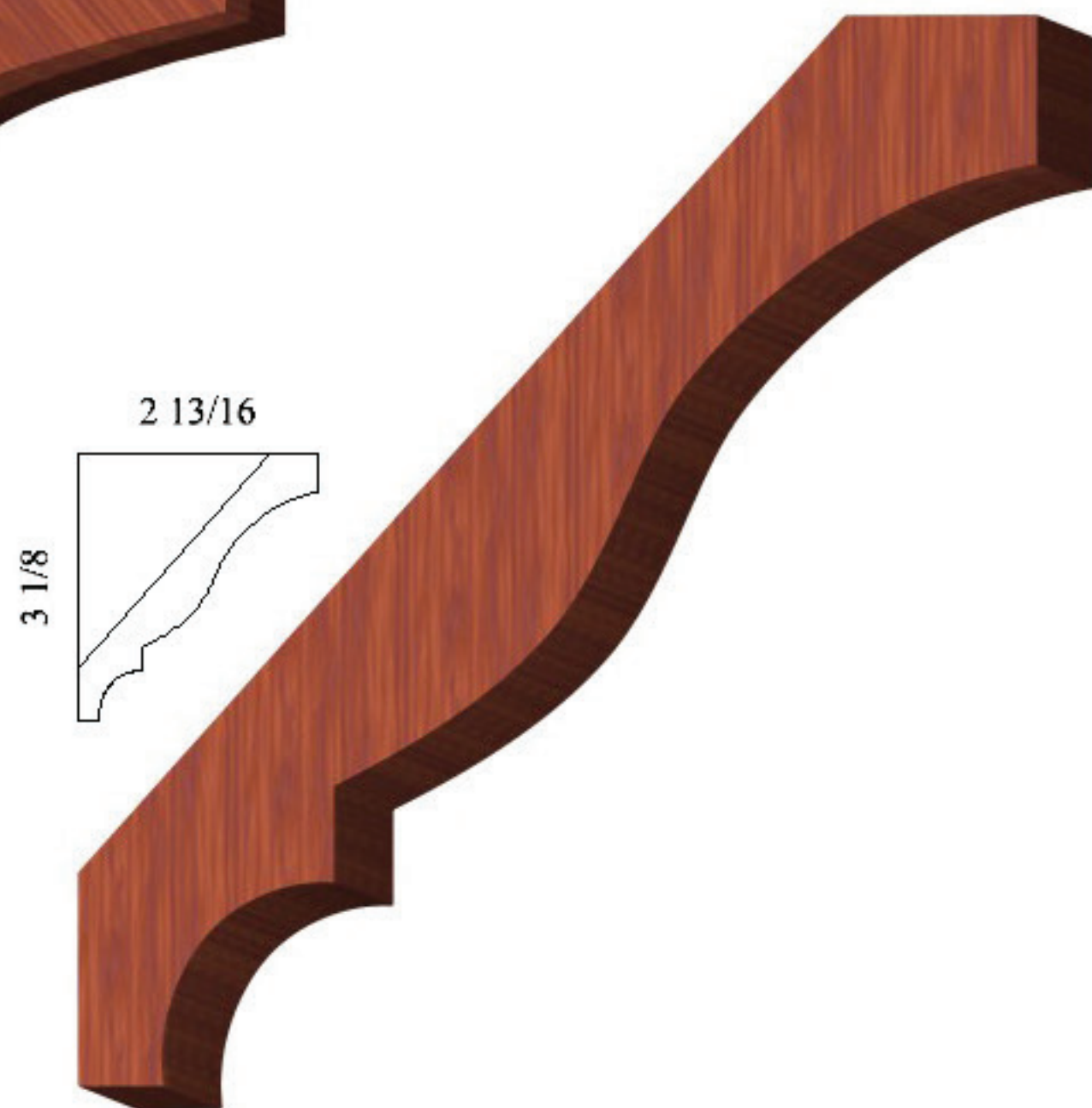
**CR30**  
 $\frac{3}{4}$  x  $5 - \frac{1}{8}$



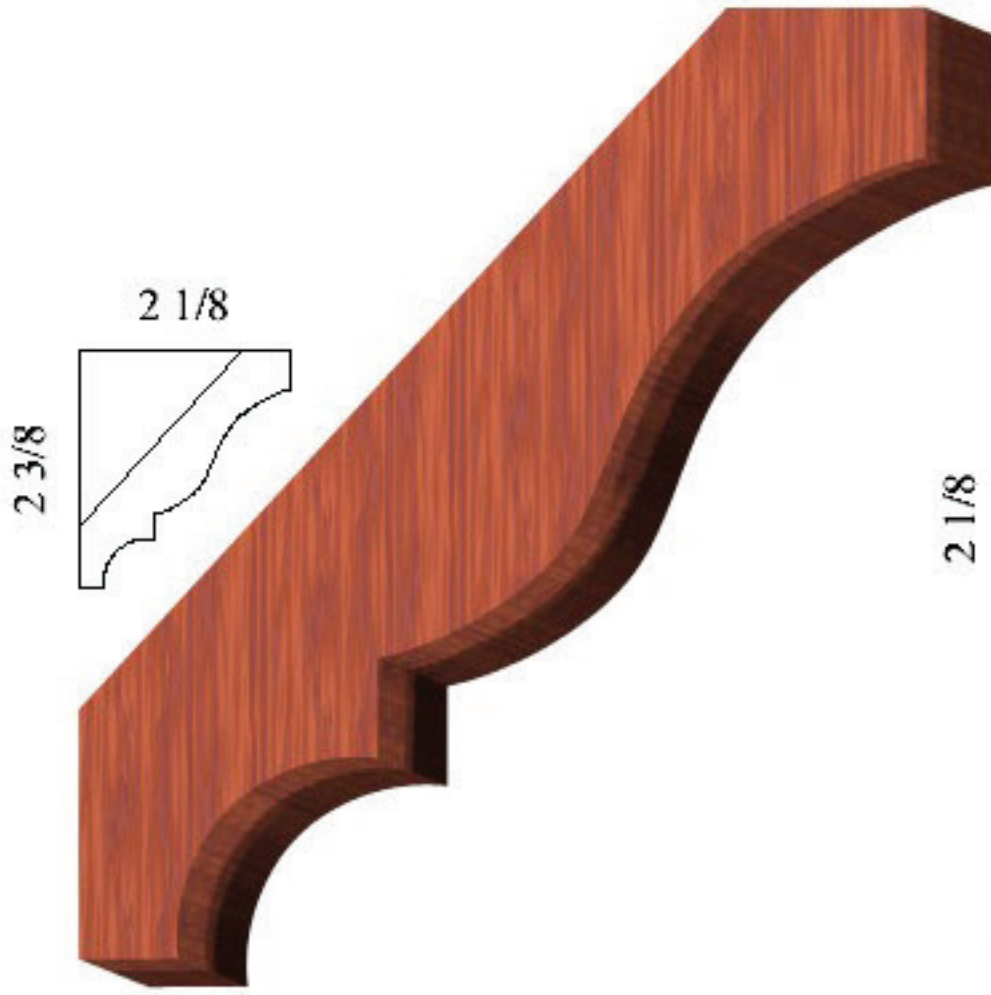
**CR28**  
 $\frac{3}{4}$  x  $4 - \frac{1}{2}$



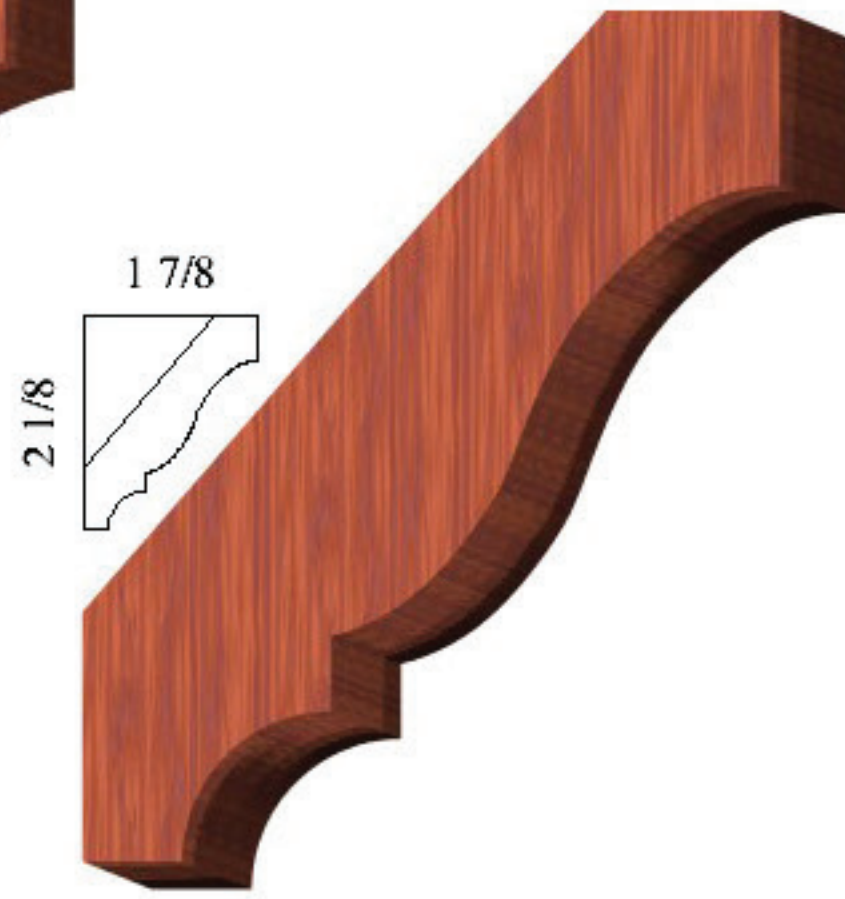
**CR216**  
 $\frac{3}{4}$  x  $5 - \frac{1}{2}$



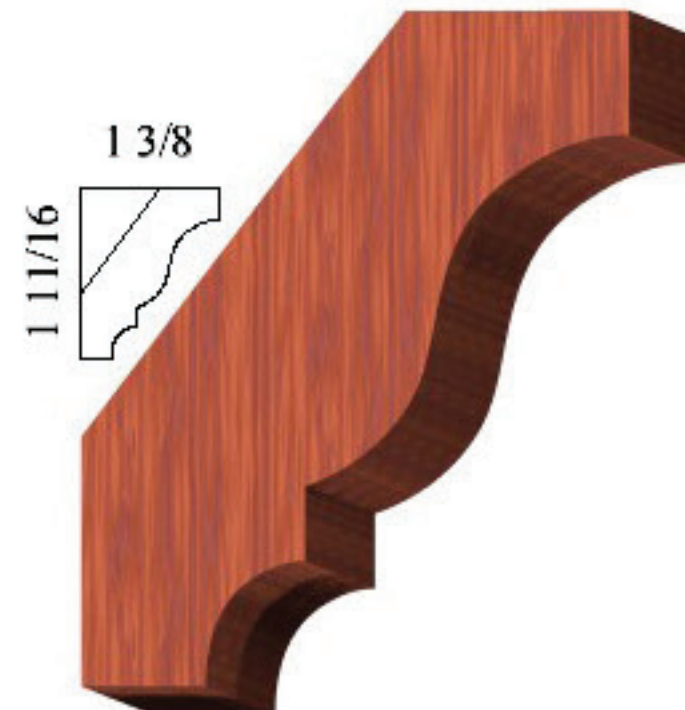
**CR11**  
 $\frac{3}{4}$  x  $4 - \frac{1}{4}$



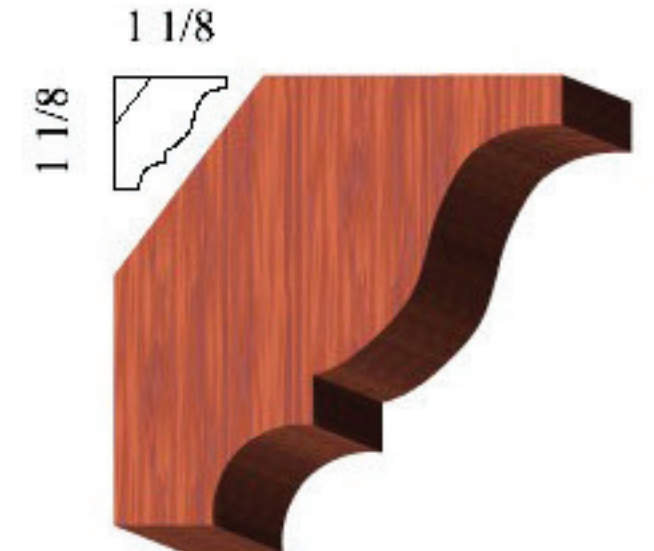
**CR47**  
5/8 x 3-1/4



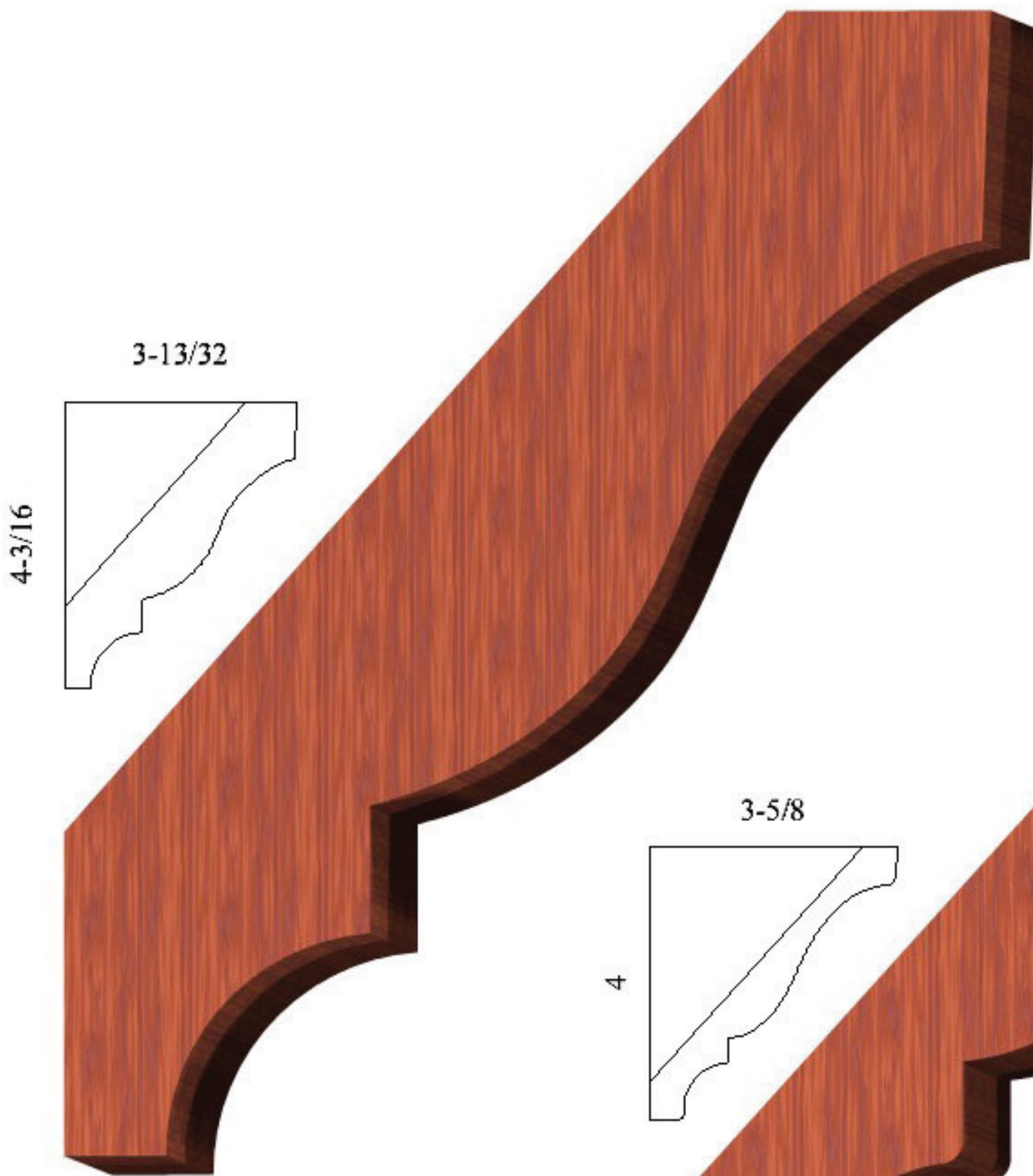
**CR27**  
5/8 X 2-3/4



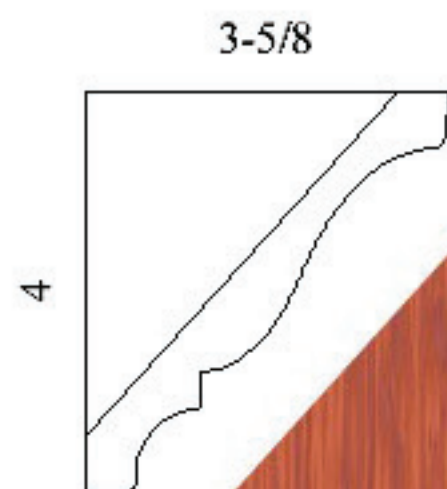
**CR33**  
5/8 X 2-1/4



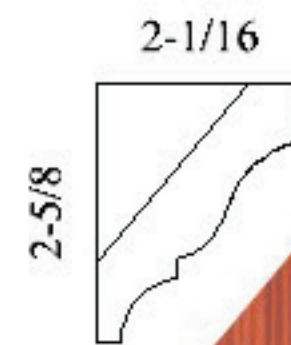
**CR57**  
5/8 x 1-3/4



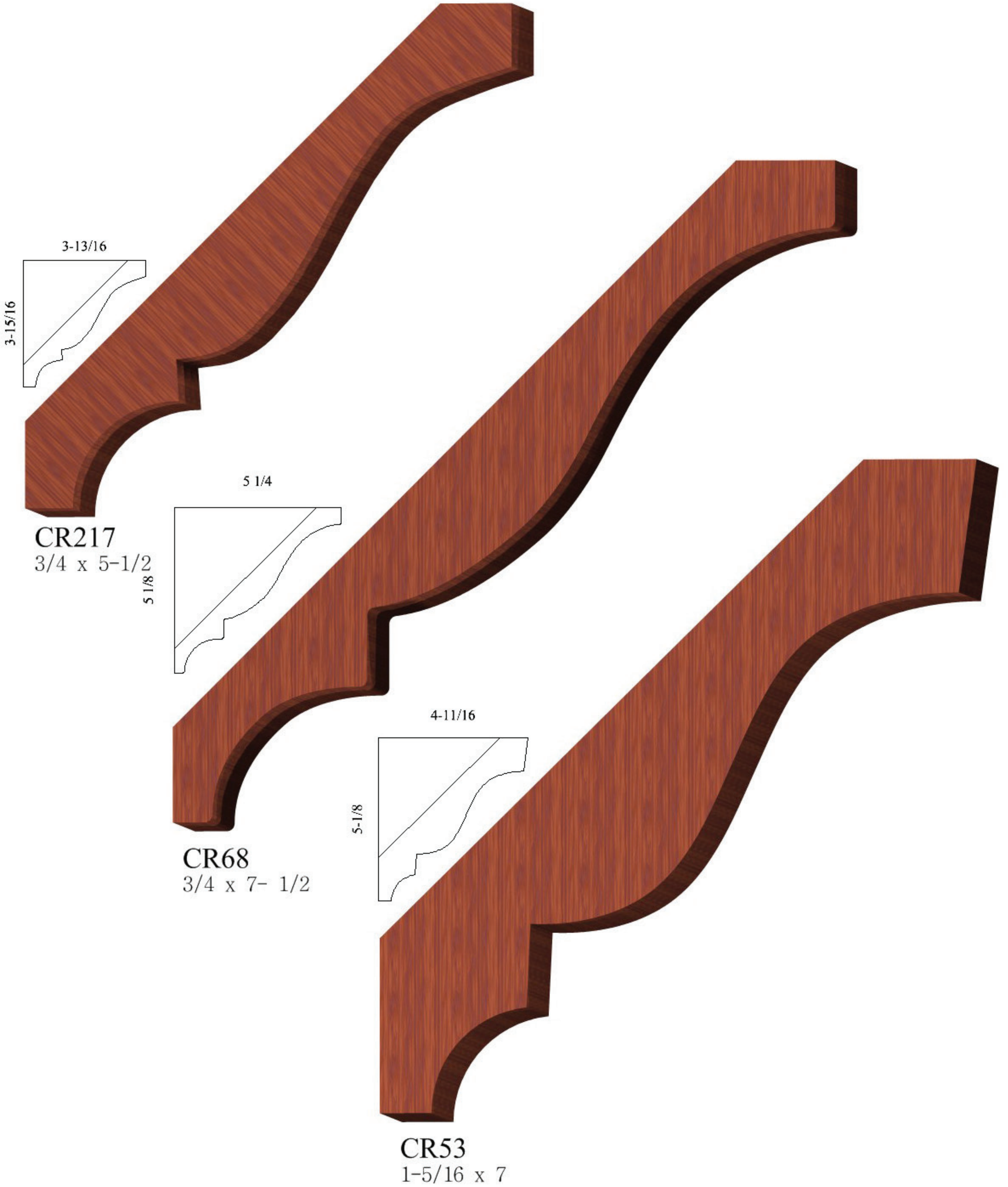
**CR85**  
1-1/16 x 5-7/16

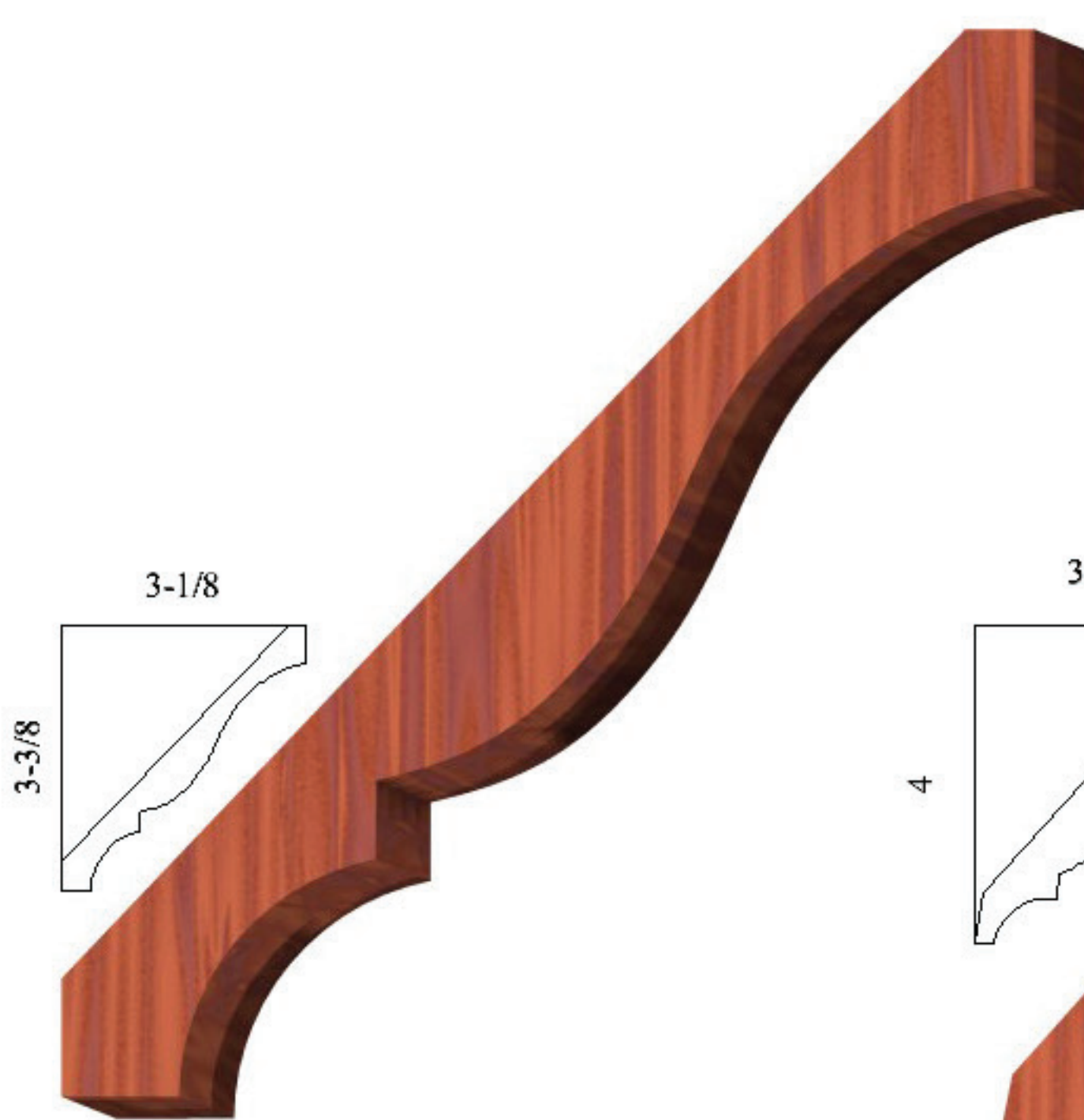


**CR133**  
3/4 x 5-7/16

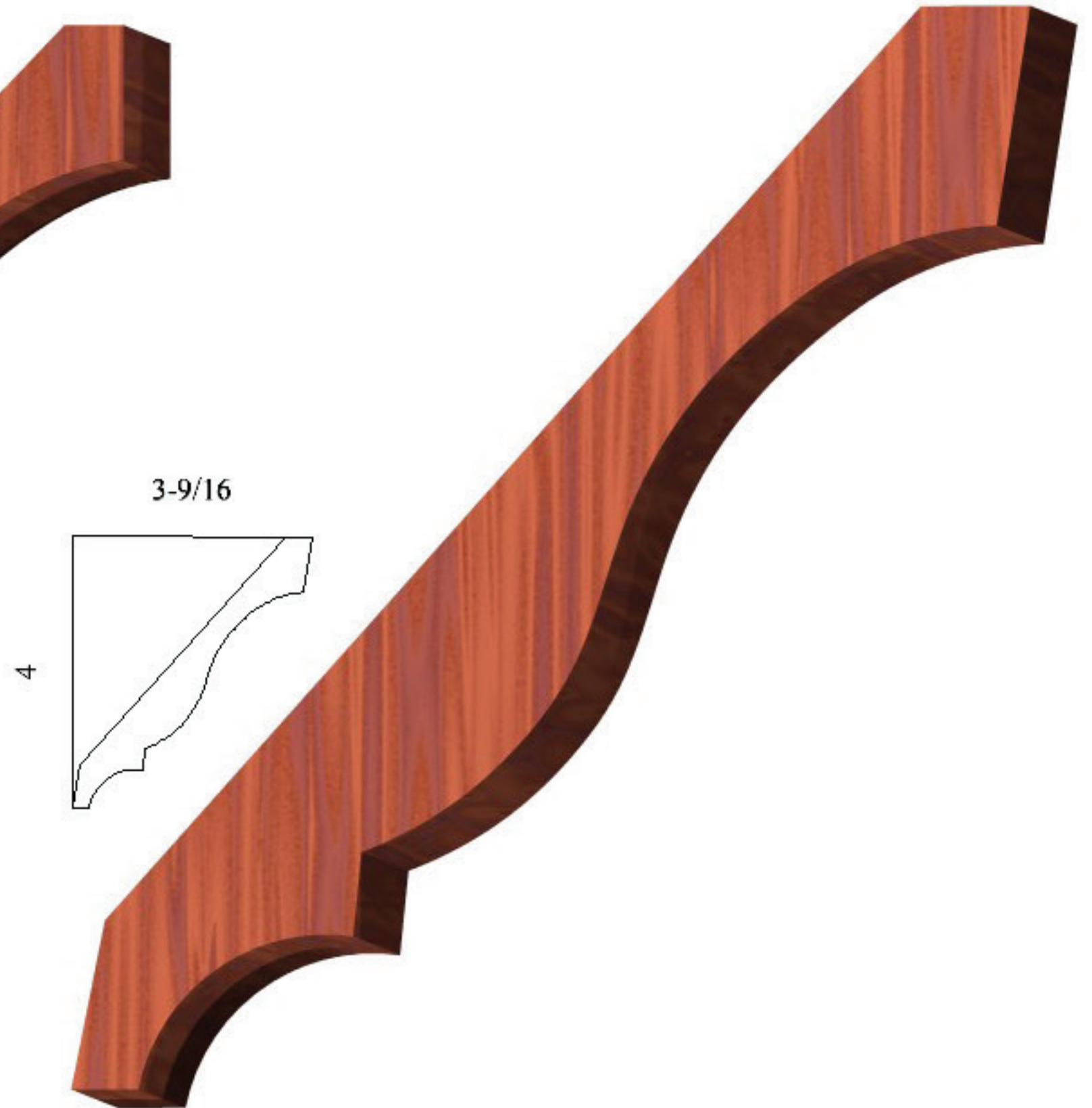


**CR116**  
13/16 x 3-5/16

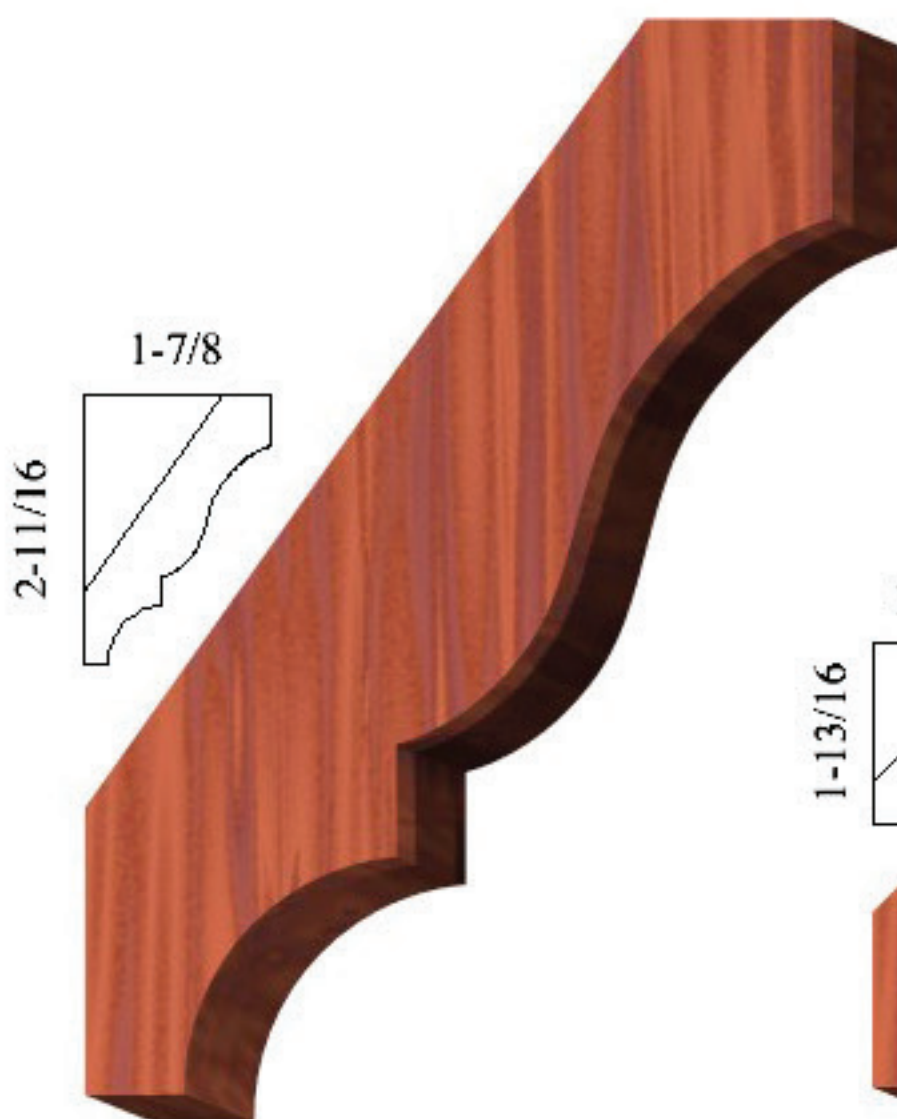




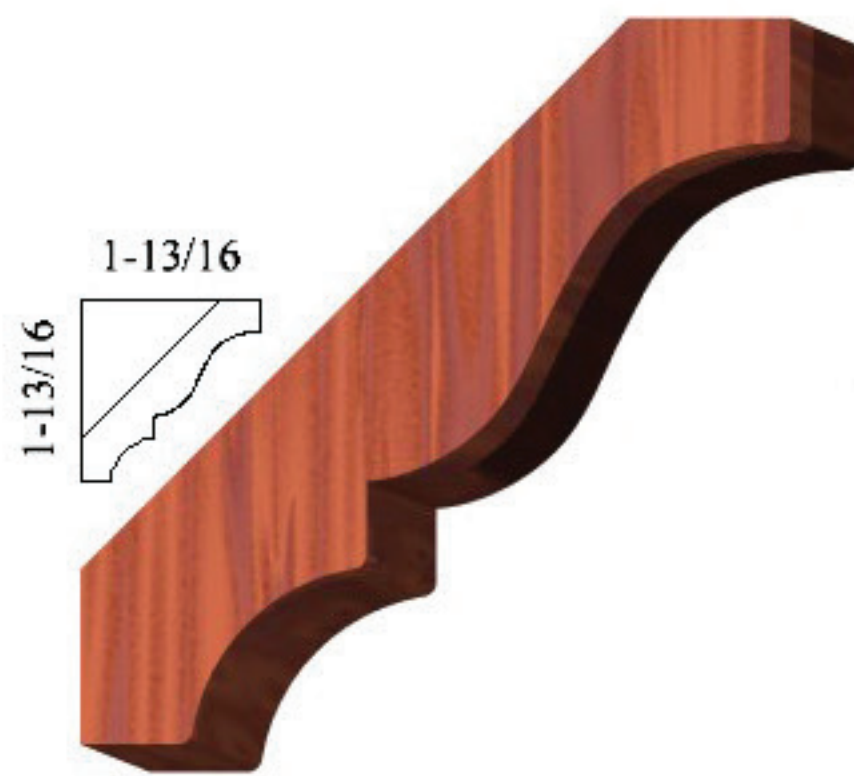
**CR132**  
5/8 x 4-9/16



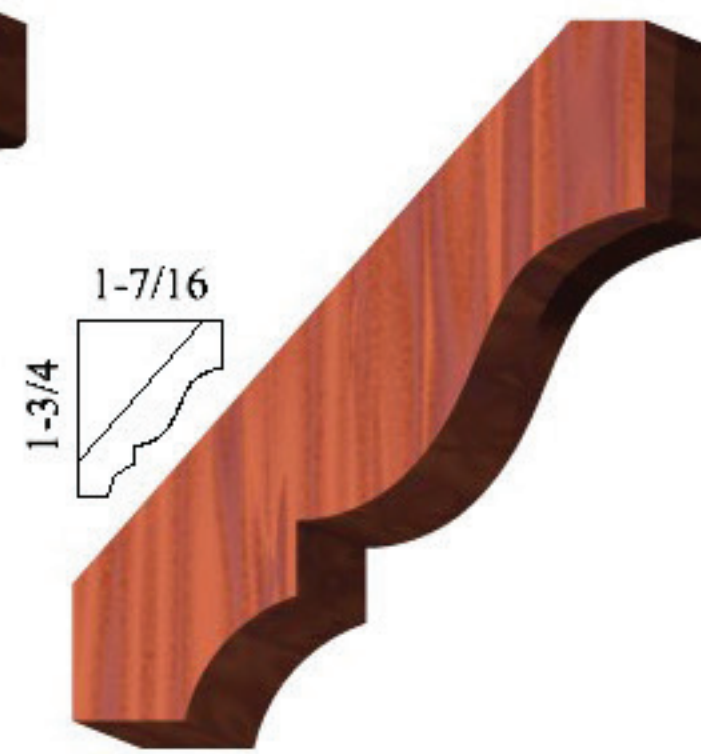
**CR51**  
3/4 x 5-3/8



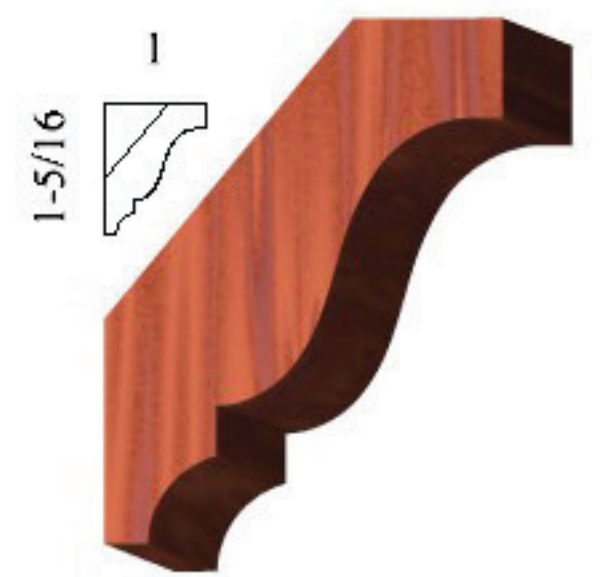
**CR177**  
1-11/16 x 3-5/16



**CR169**  
1/2 x 2-9/16

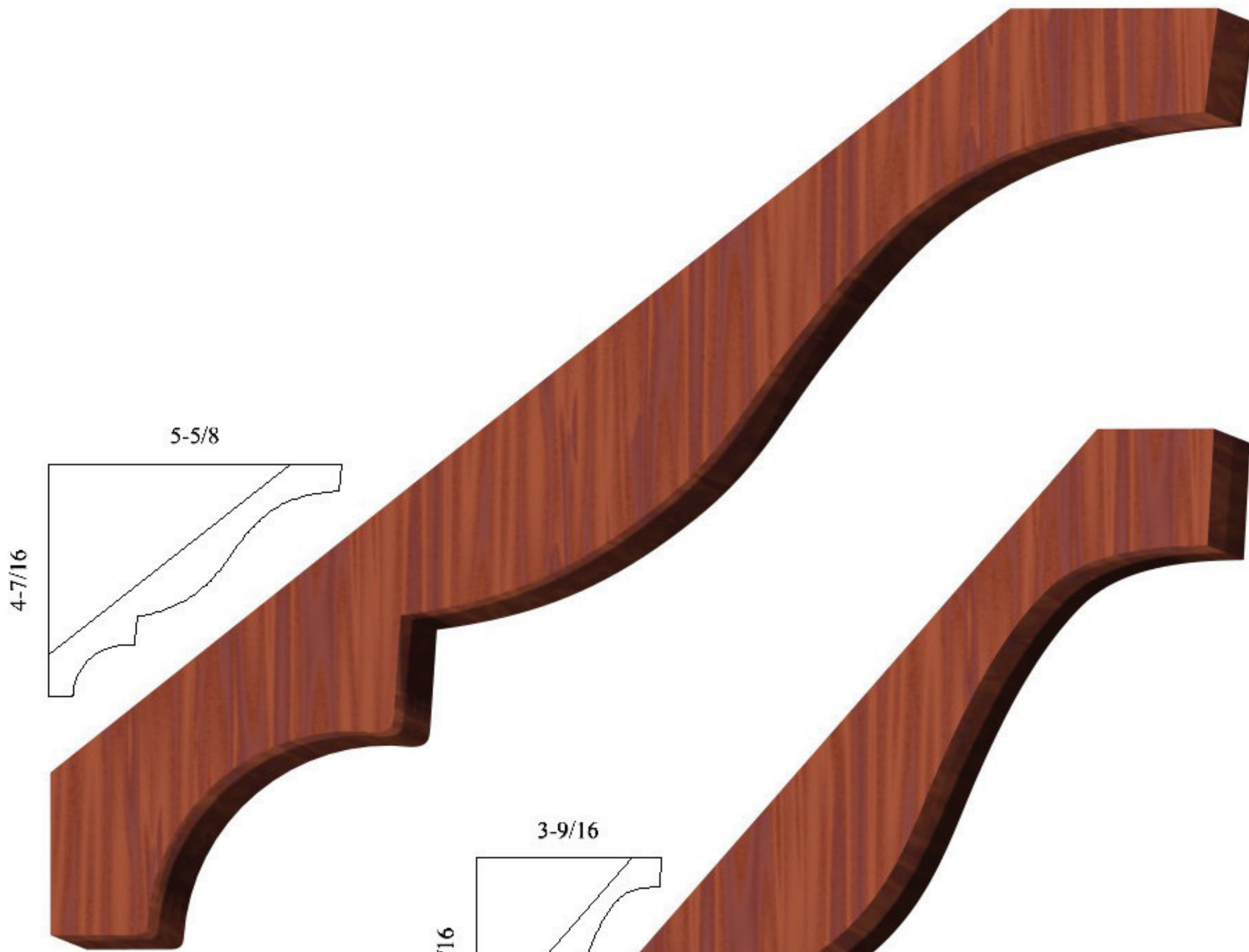


**CR178**  
7/16 x 2-1/4

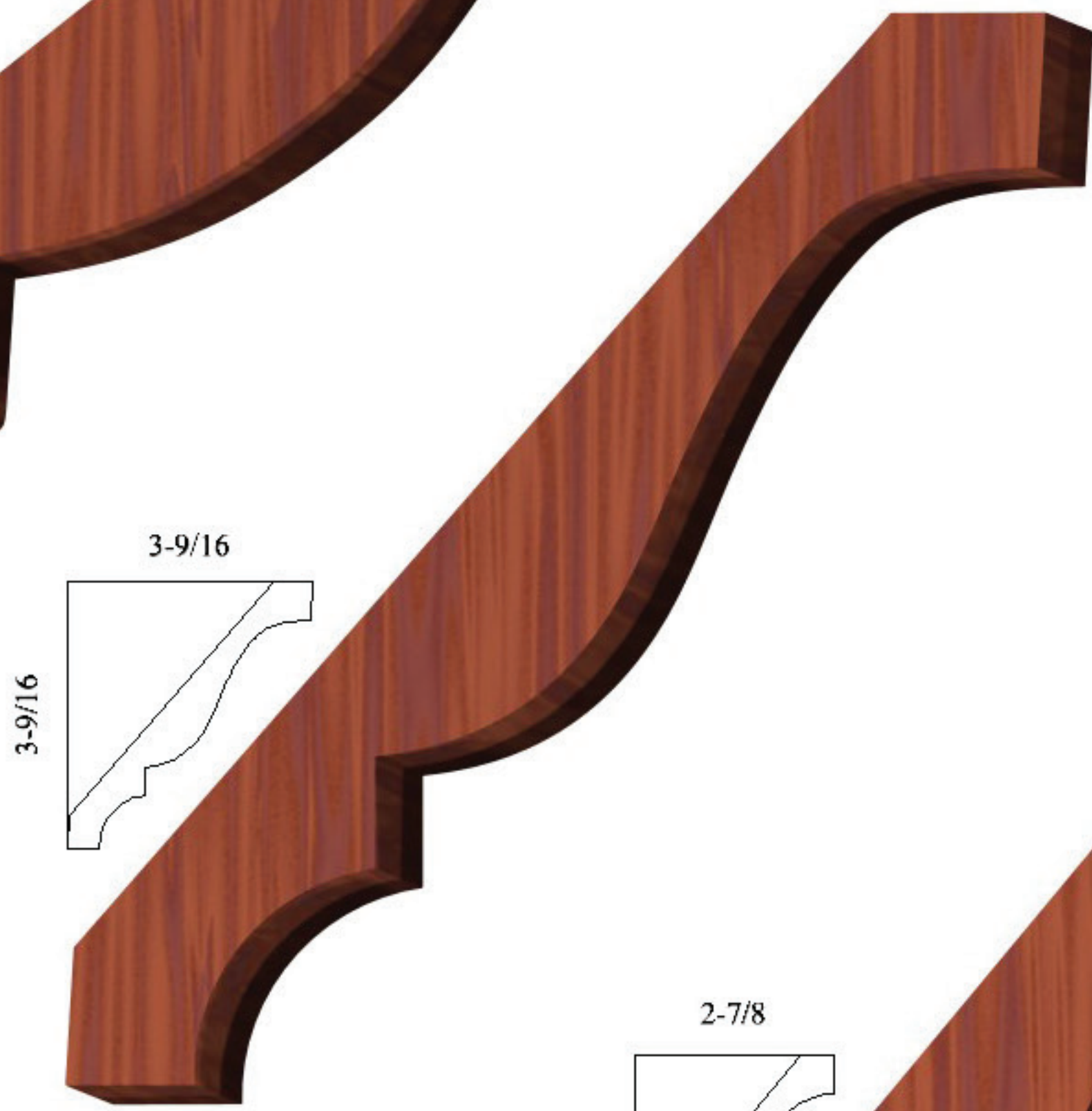


**CR185**  
1/2 x 1-11/16

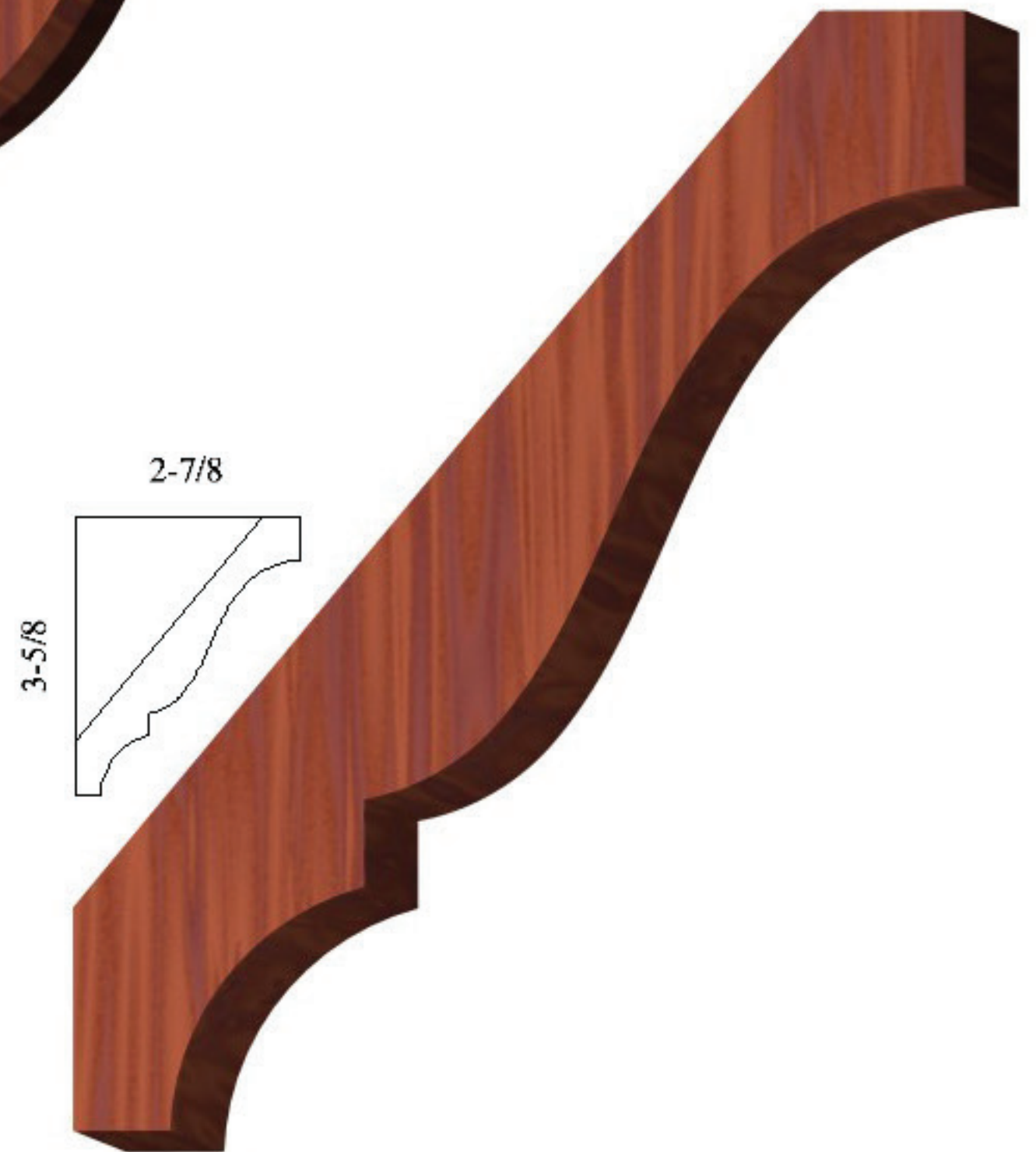




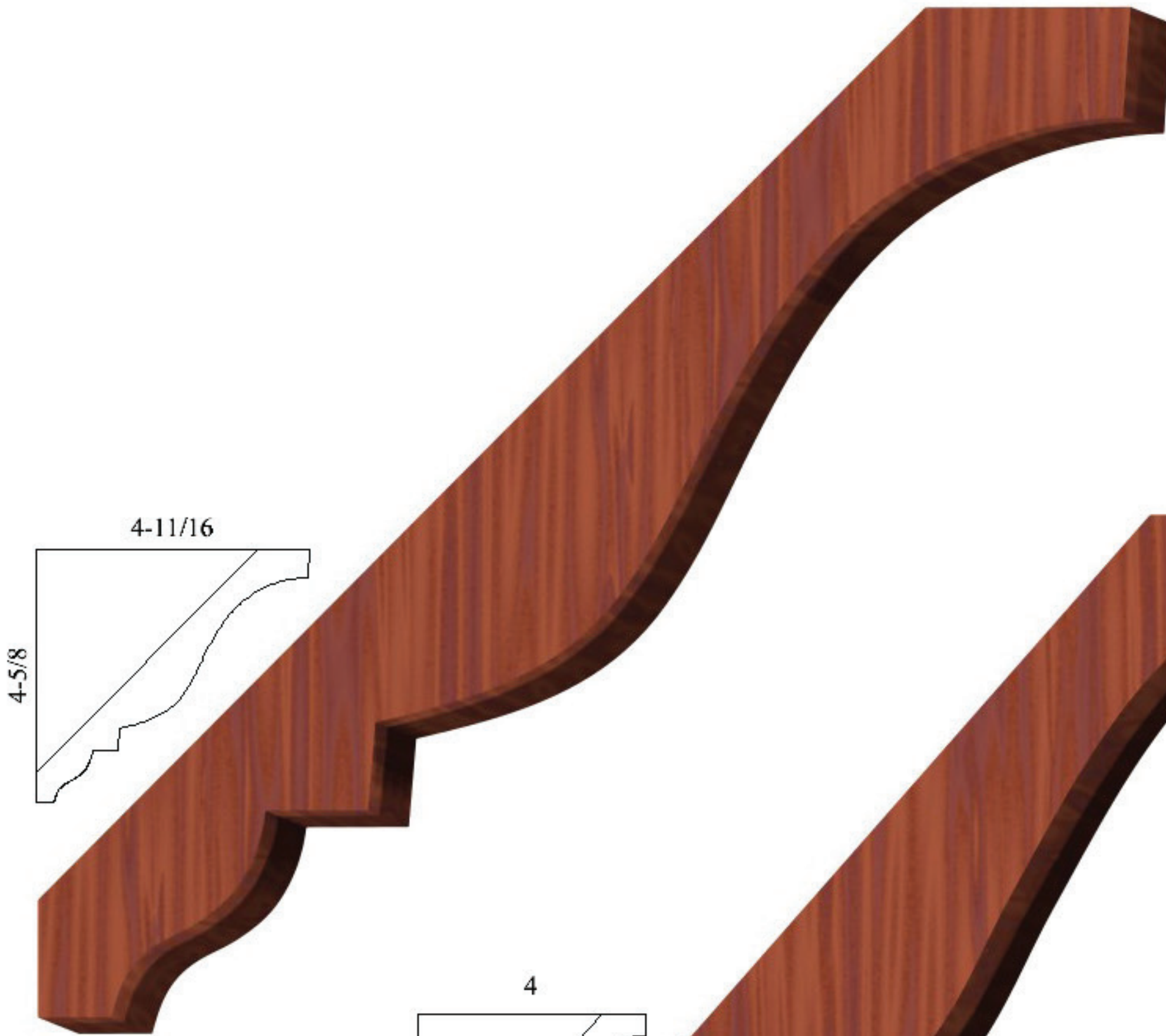
**CR179**  
 $7/8 \times 7\text{-}3/16$



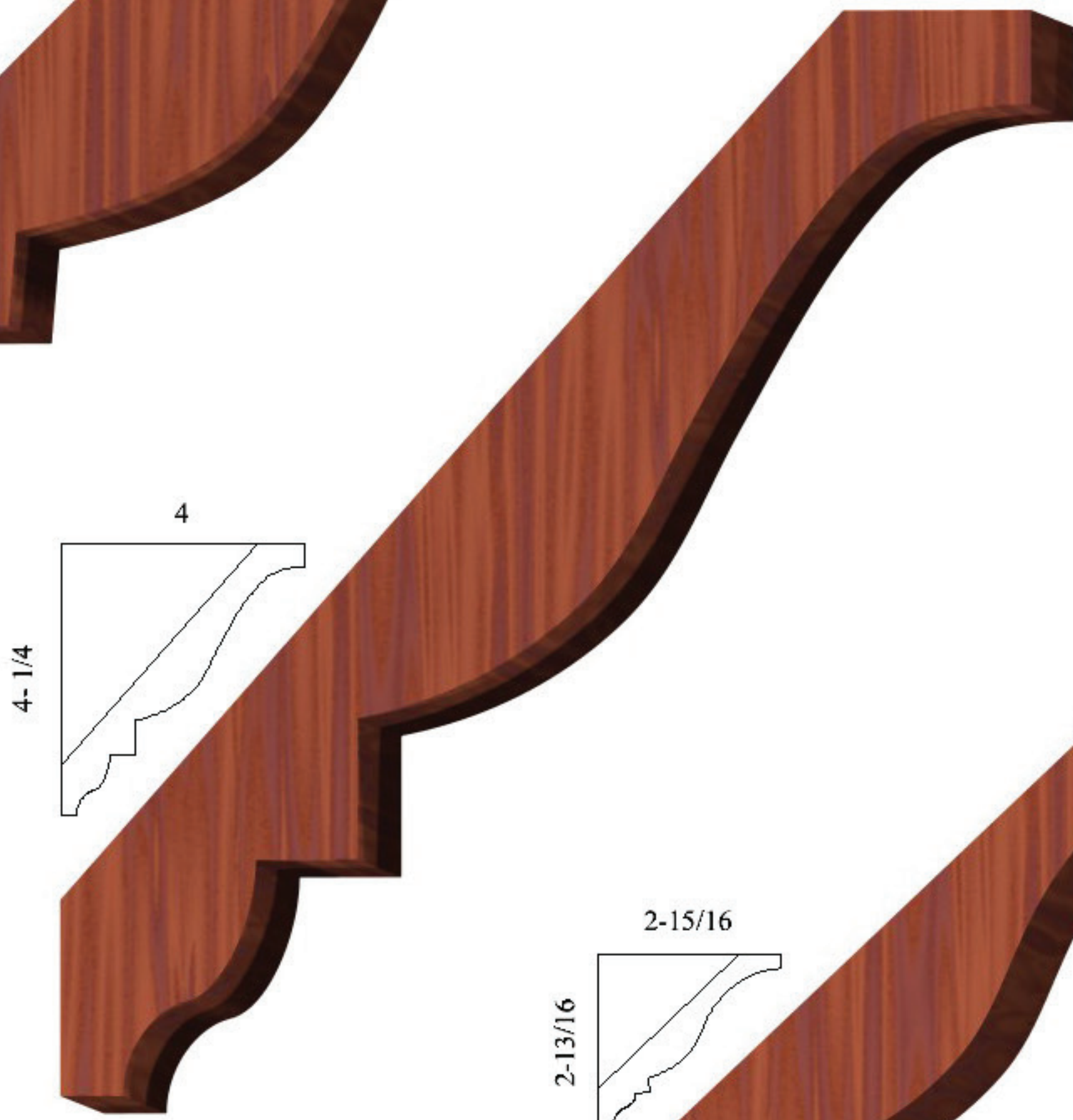
**CR187**  
 $3/4 \times 5\text{-}1/4$



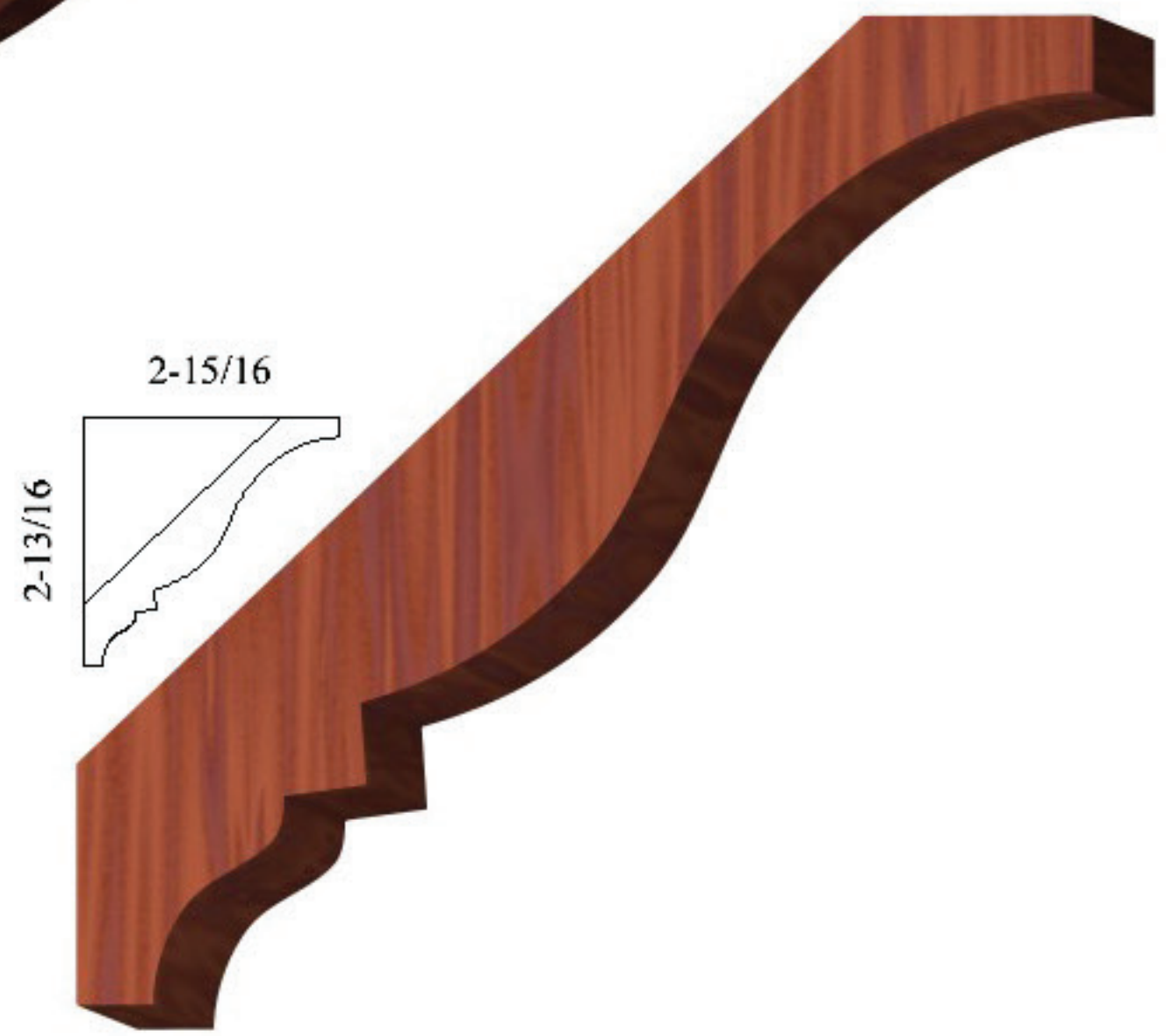
**CR196**  
 $1\text{-}1/16 \times 4\text{-}5/8$



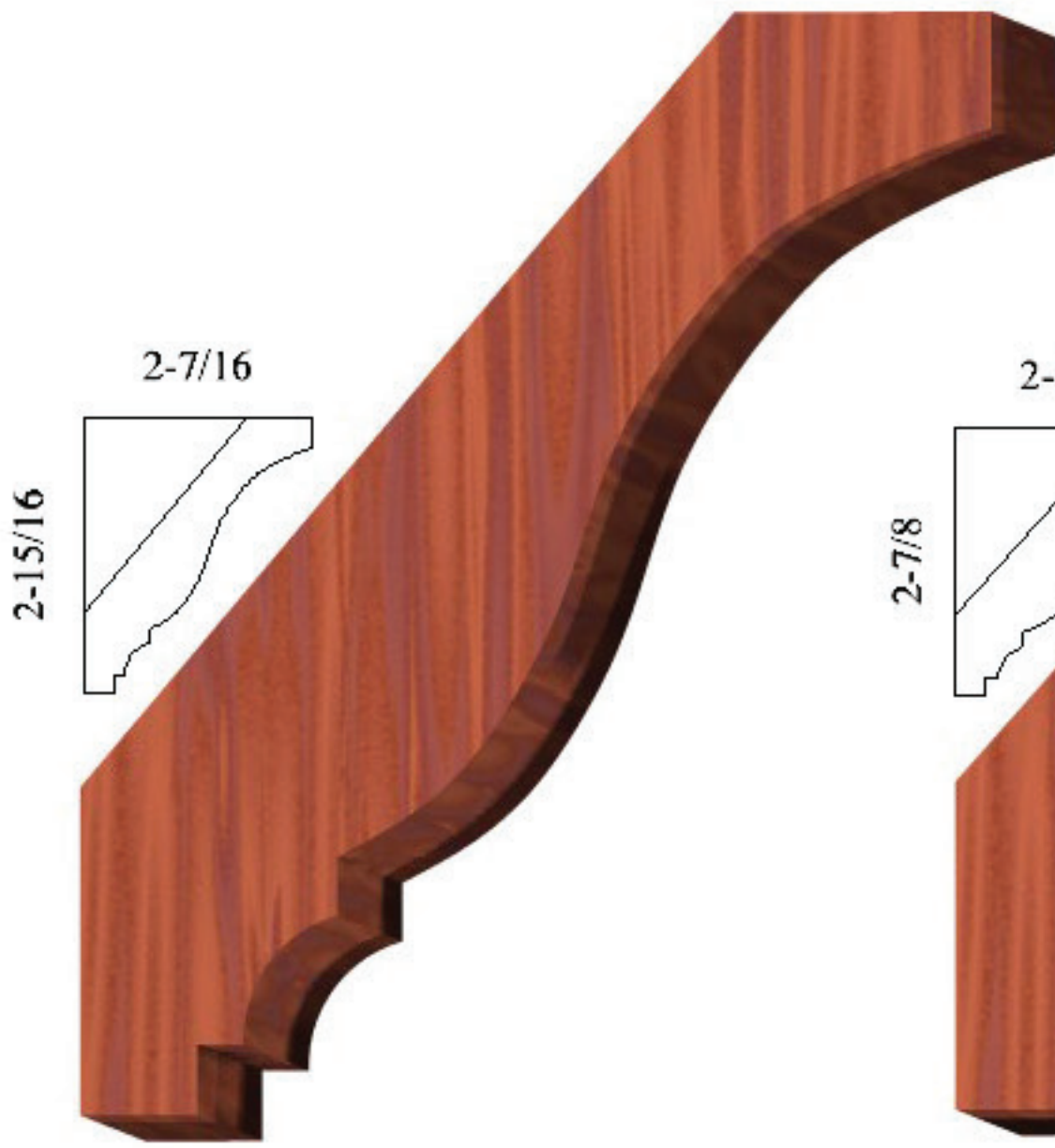
**CR83**  
7/8 x 6-5/16



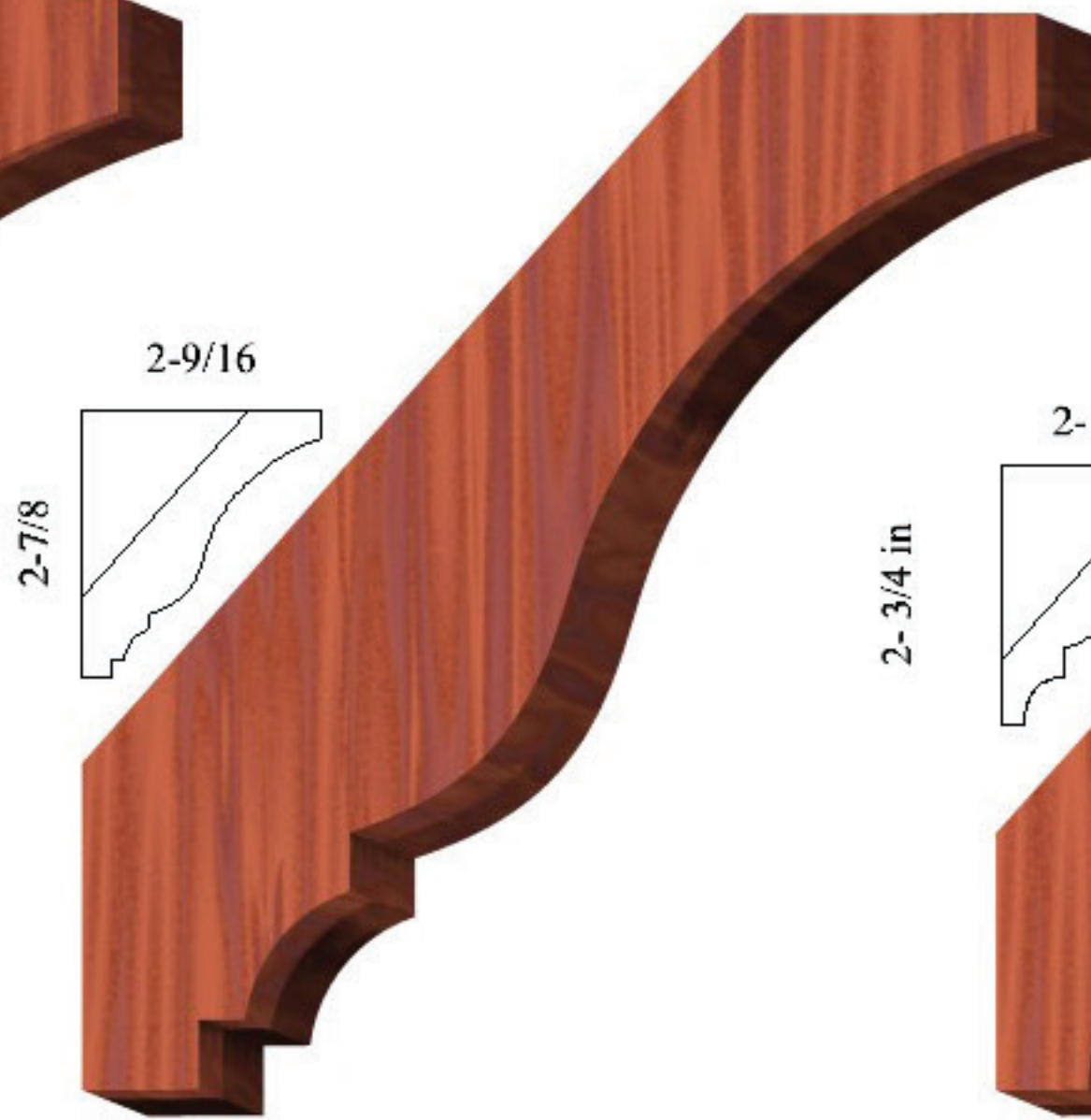
**CR 52**  
3/4 X 5-3/4



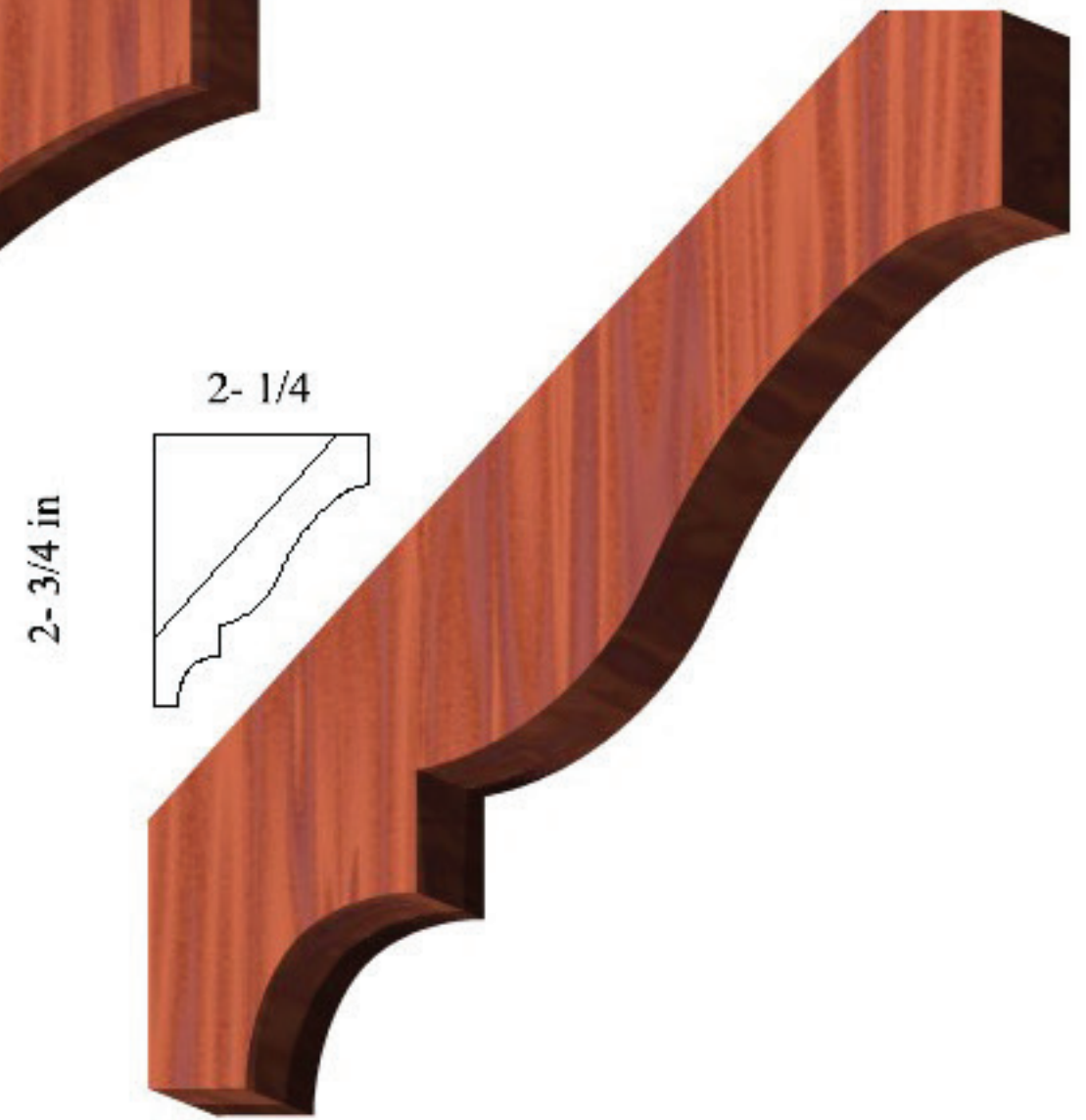
**CR29**  
3/4 x 4-1/16



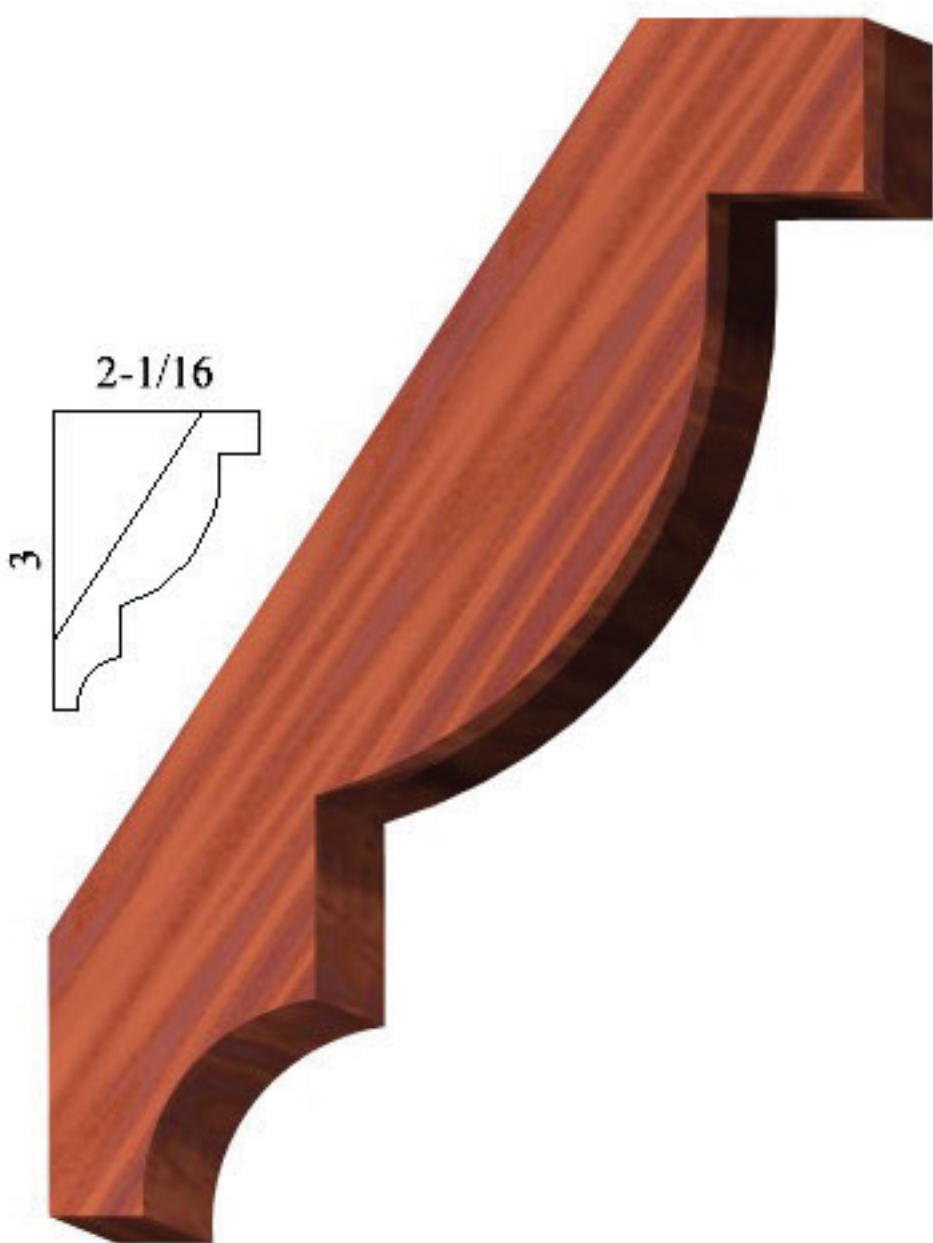
**CR120**  
3/4 x 3-13/16



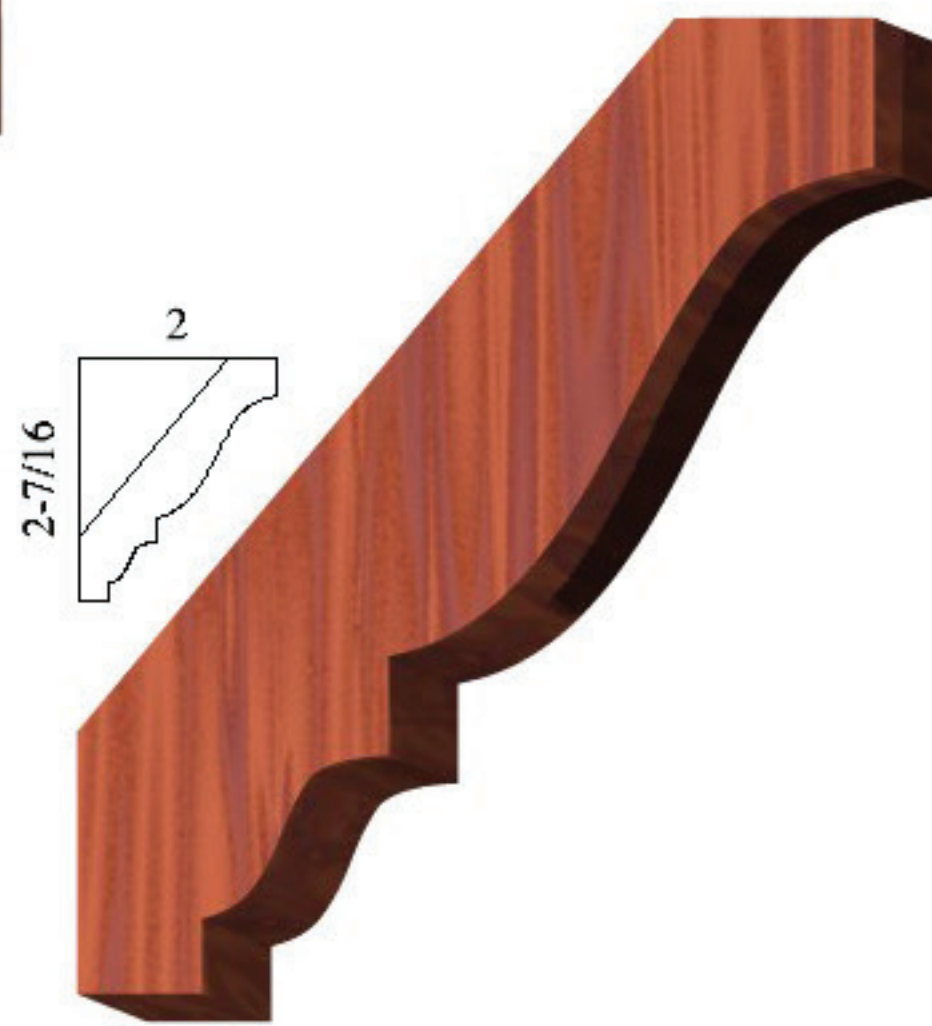
**CR127**  
3/4 x 3-1/4



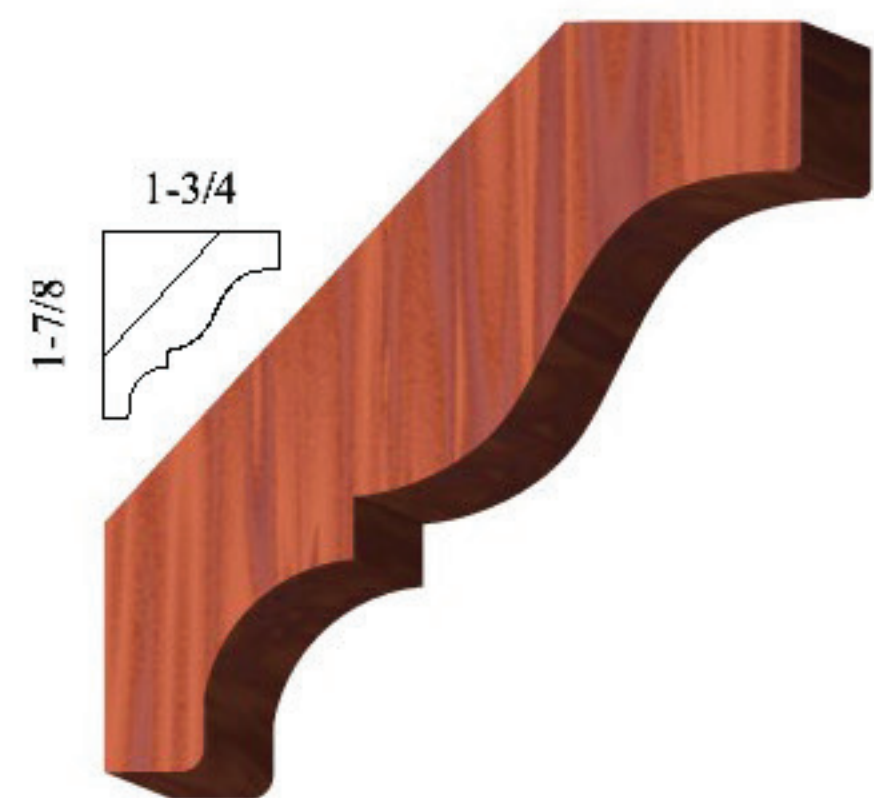
**CR31**  
3/4 x 3-5/8



**CR232**  
3/4 x 3-3/4



**CR56**  
11/16 x 3-3/8



**CR64**  
1/2 x 2-9/16



**CR14**  
1 x 1-3/4



**CR17**  
1-1/4 x 2



**CR59**  
15/16 x 1-5/8



**CR05**  
11/16 x 1-9/16



**CR10**  
3/4 X 1-1/2



**CR18**  
3/4 x 1-11/16



**CR61**  
15/16 x 1-13/16



**CR19**  
3/4 x 1-1/2



**CR09**  
7/8 x 1-1/8



**CR13**  
3/4 x 1-1/16



**CR15**  
3/4 x 1-1/16



**CR06**  
3/4 x 1-1/16



**CR21**  
5/8 x 7/8



CR22  
1-1/2 x 3-1/4



CR26  
1-3/4 x 2-7/8



CR07  
1-1/4 x 2-3/16



CR168  
1-7/16 x 2-1/2



CR208  
1-3/4 x 3-1/4



CR82  
1-1/16 x 2-3/16



**CR165**  
1-7/8 x 3-3/16



**CR166**  
1-3/4 x 1-7/8



**CR172**  
3/4 x 1-3/4



**CR167**  
1 x 1-5/16



**CR16**  
1-11/16 x 1-11/16



**CR138**  
1-7/8 x 1-15/16



**CR191**  
1-3/4 x 3



**CR151**  
1-1/8 x 2-3/16



**CR227**  
1-1/16 x 1-3/4



**CR103**  
1-5/8 x 1-5/8



**CR126**  
13/16 x 1-1/4



**CR202**  
3/4 x 3/4



**CR209**  
7/8 x 2-1/2



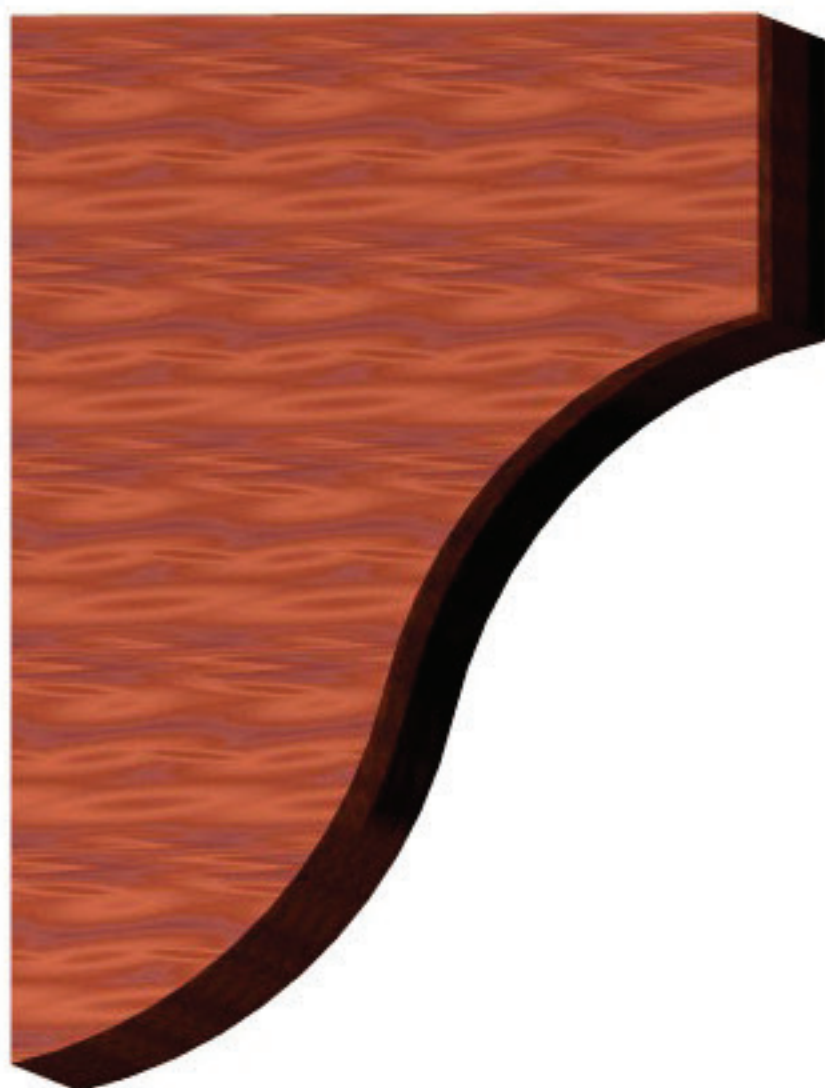
**CR98**  
1-3/4 x 2



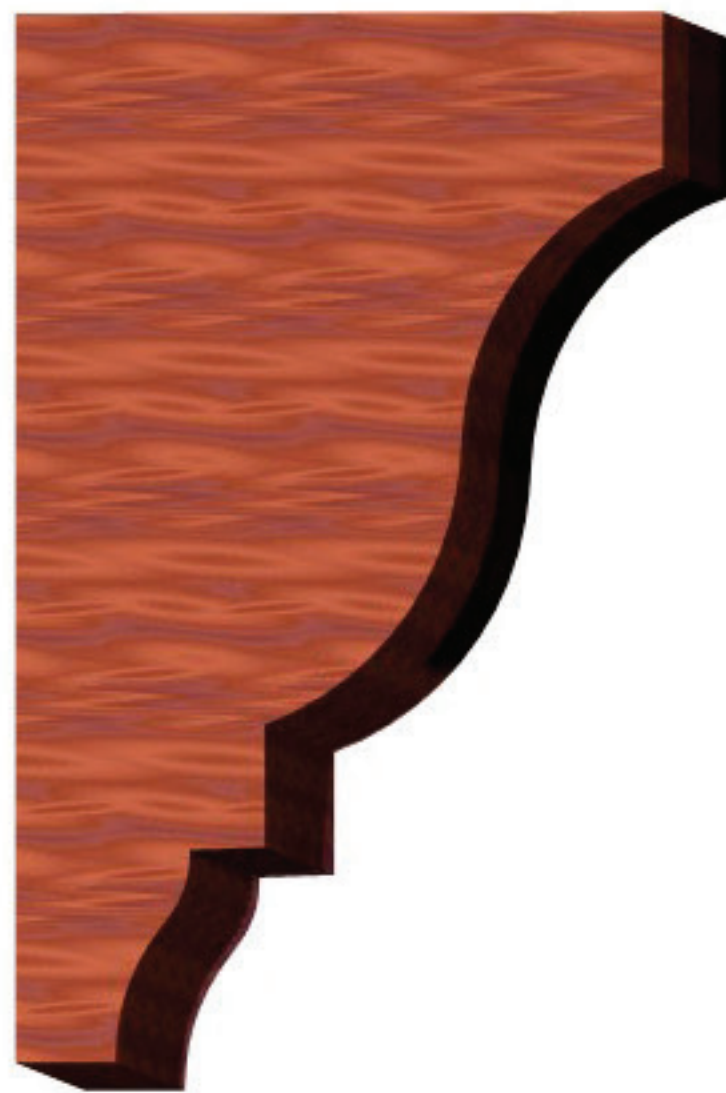
**CR212**  
3/4 x 1-1/2



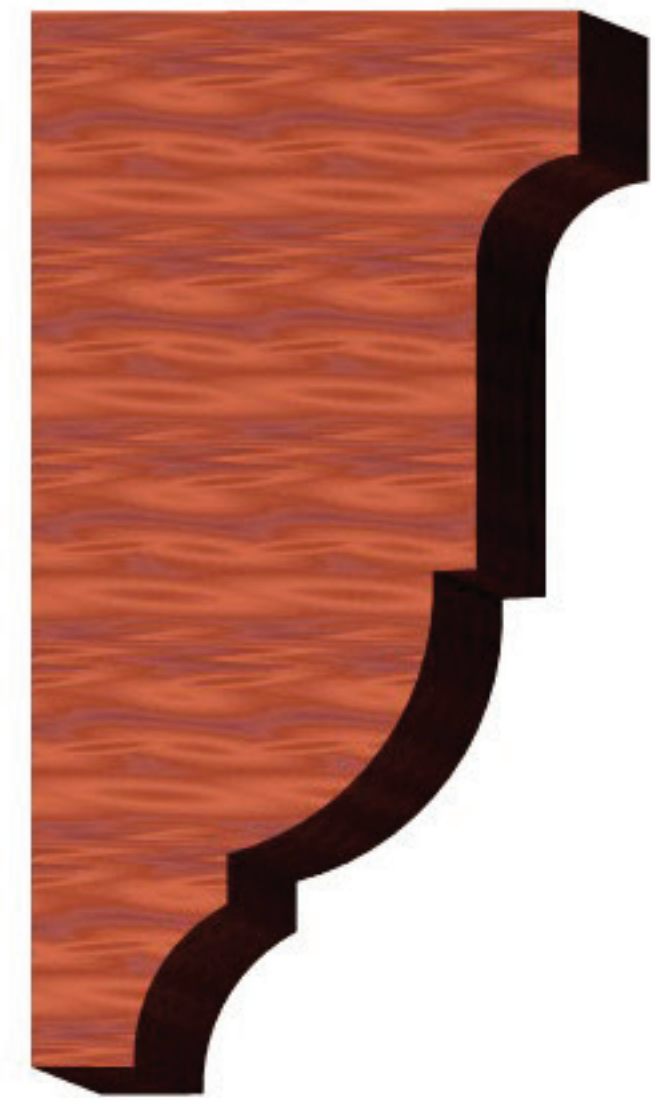
**CR218**  
13/16 x 15/16



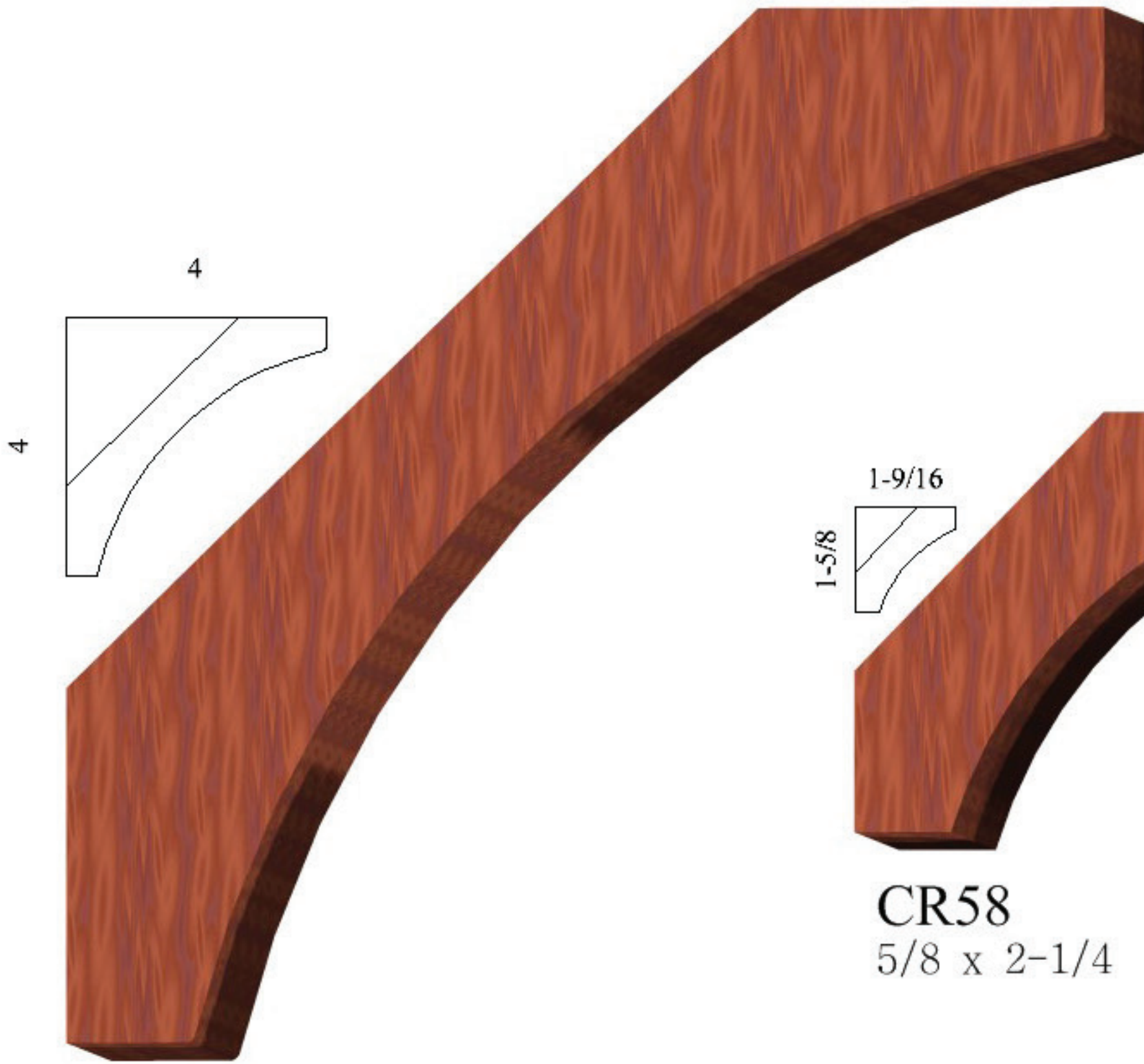
**CR231**  
1-7/8 x 2-5/8



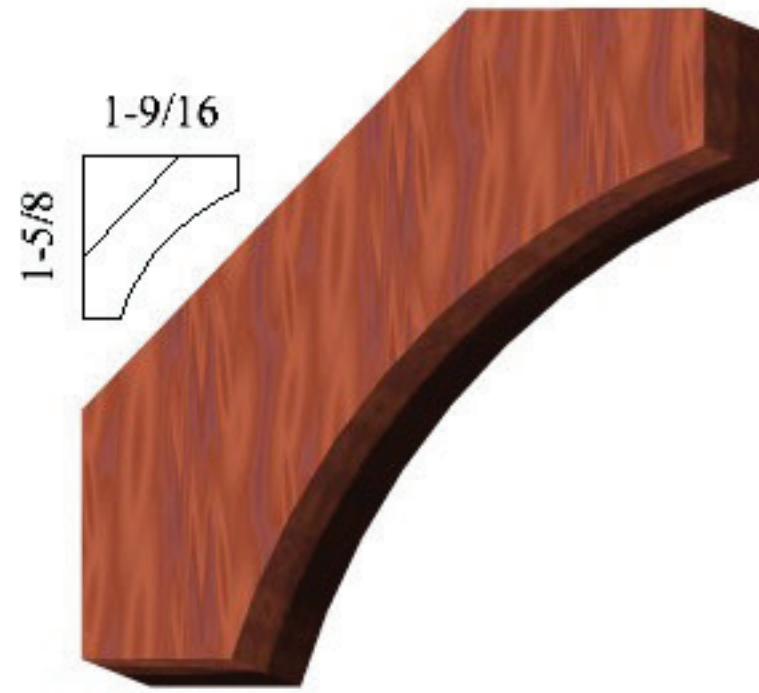
**CR222**  
1-5/8 x 2-5/8



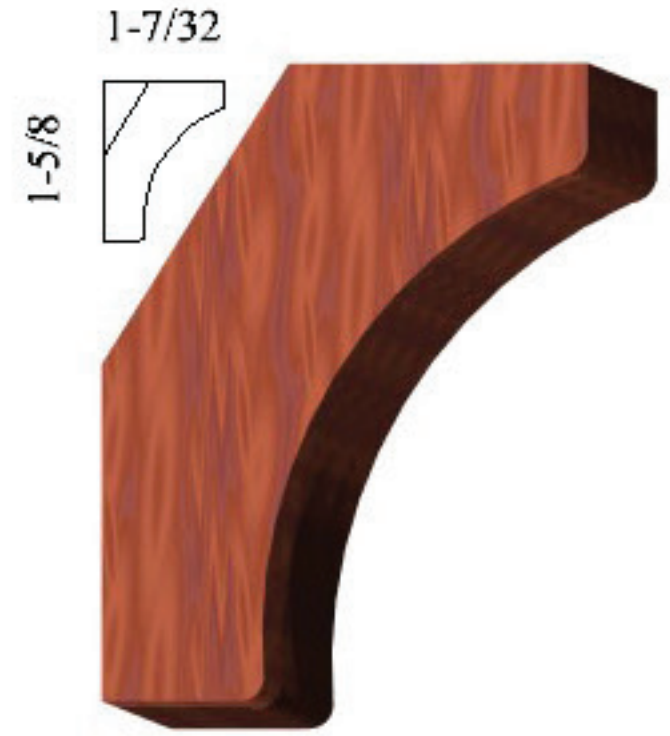
**CR225**  
1-3/8 x 2-5/8



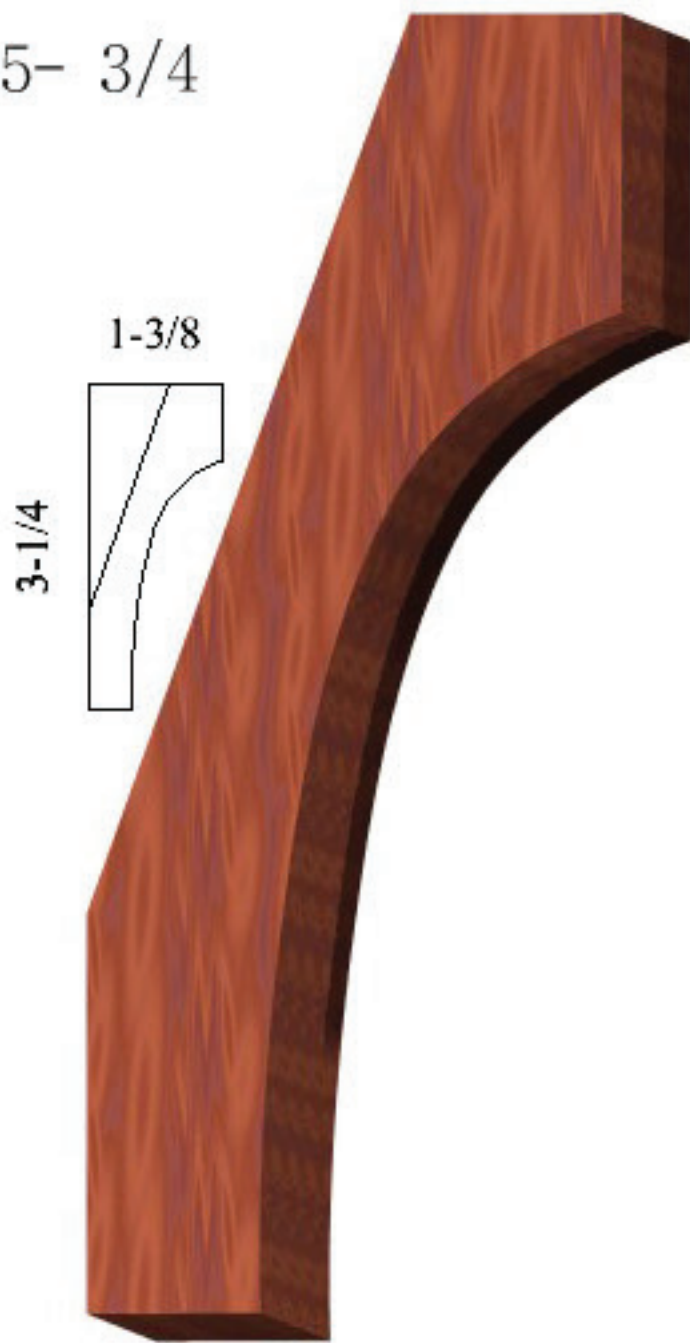
**CR 41**  
1- 3/8 x 5- 3/4



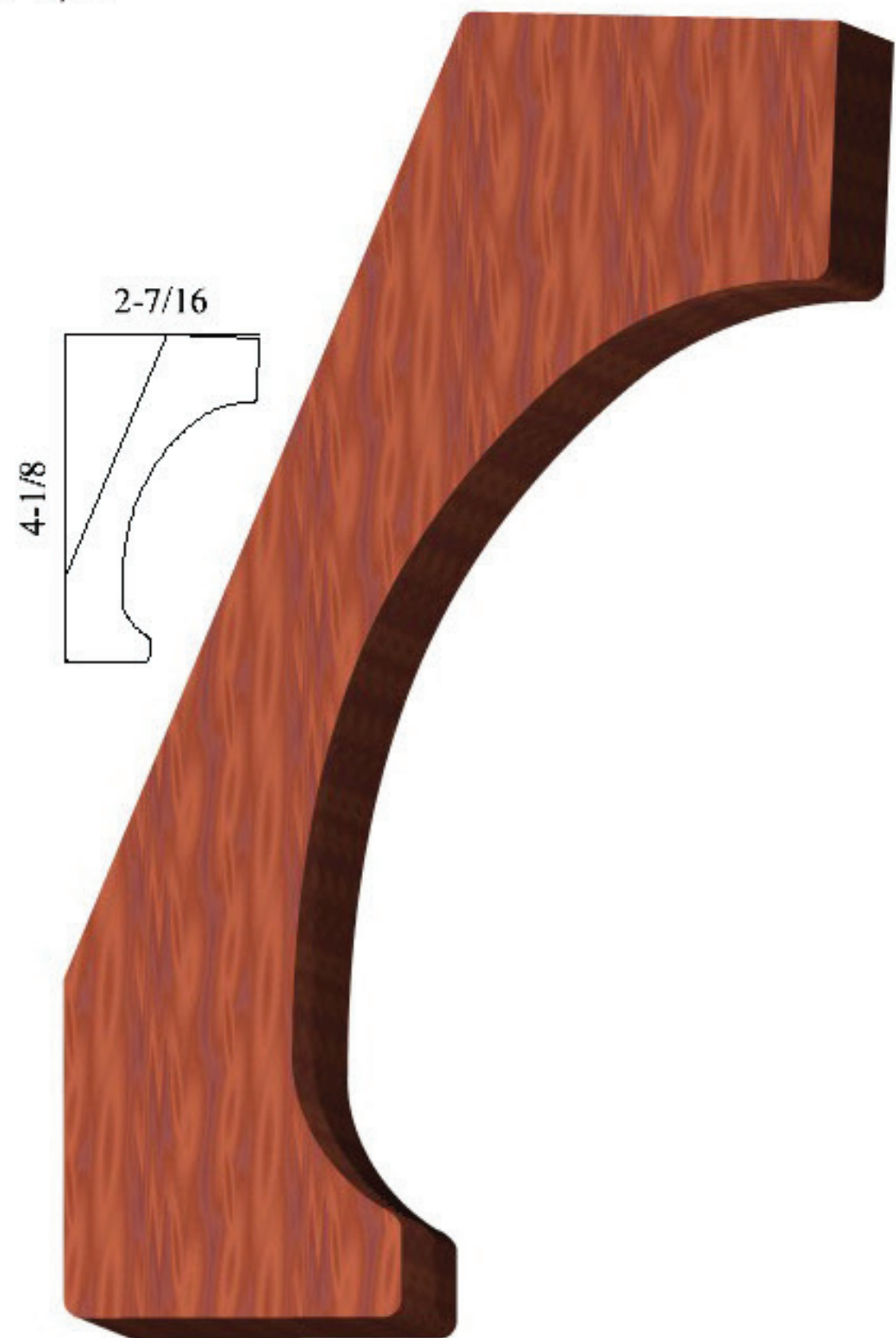
**CR58**  
5/8 x 2-1/4



**CR99**  
1/2 x 2

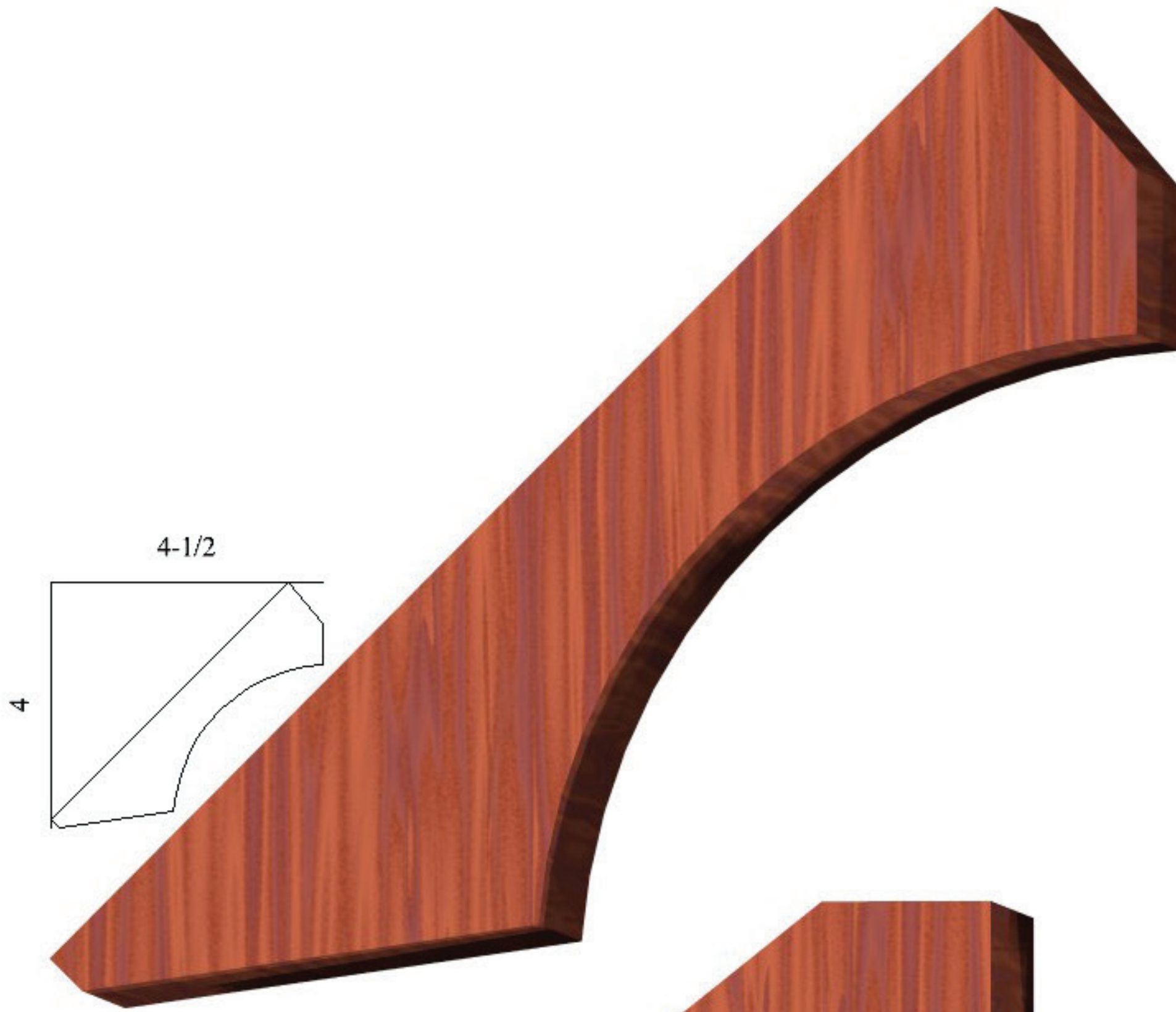


**CR150**  
3/4 X 3-1/2

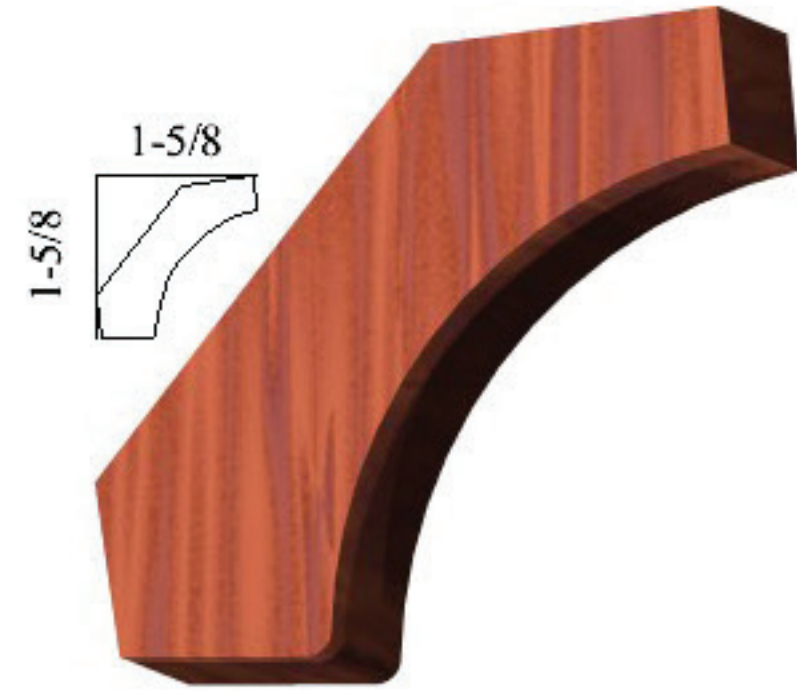


**CR80**  
1-3/8 x 4-11/16

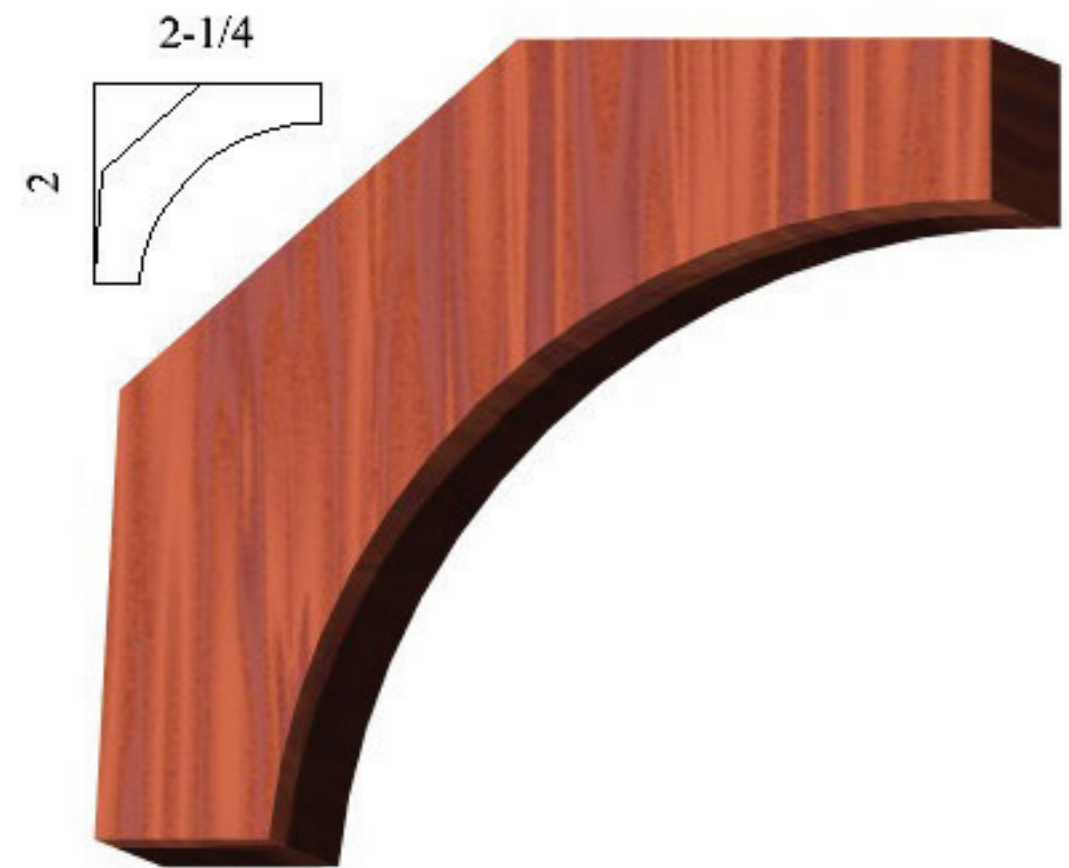




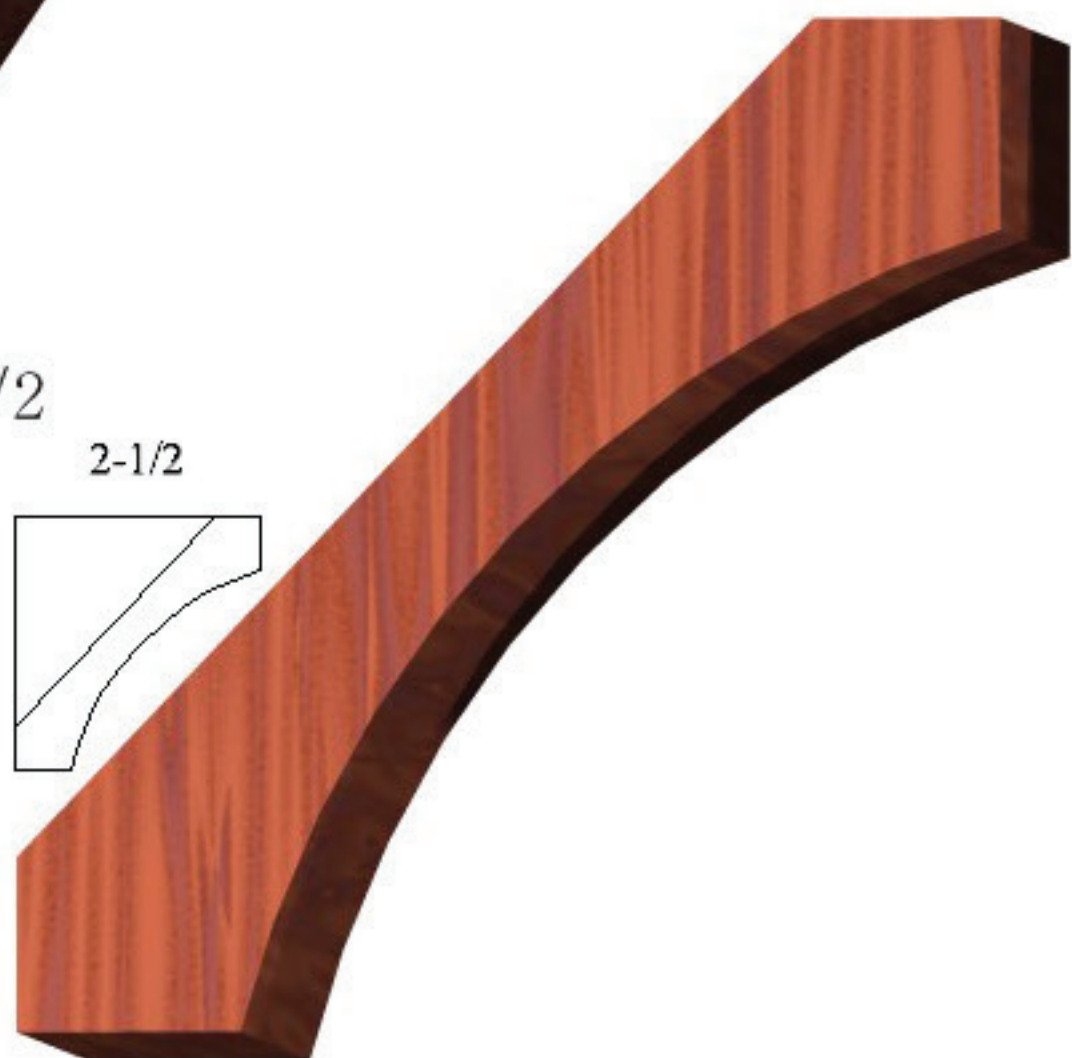
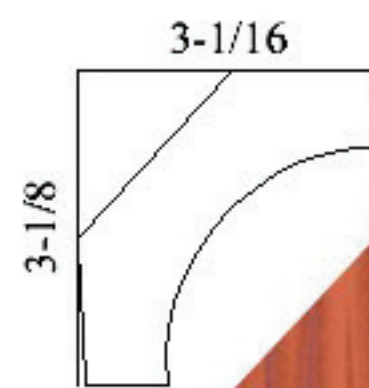
**CR67**  
1-5/16 x 5-1/2



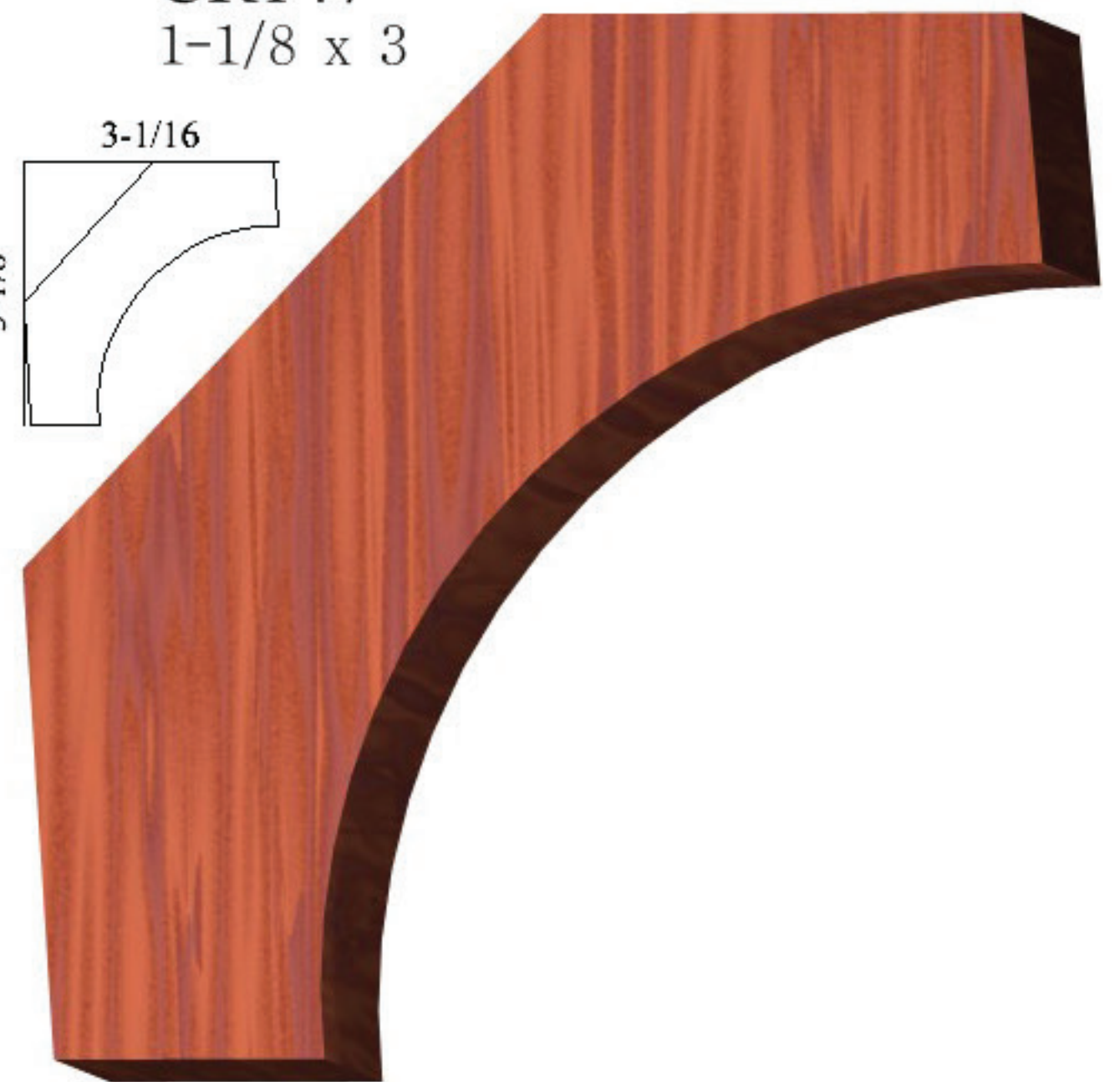
**CR97**  
3/4 x 2-1/4



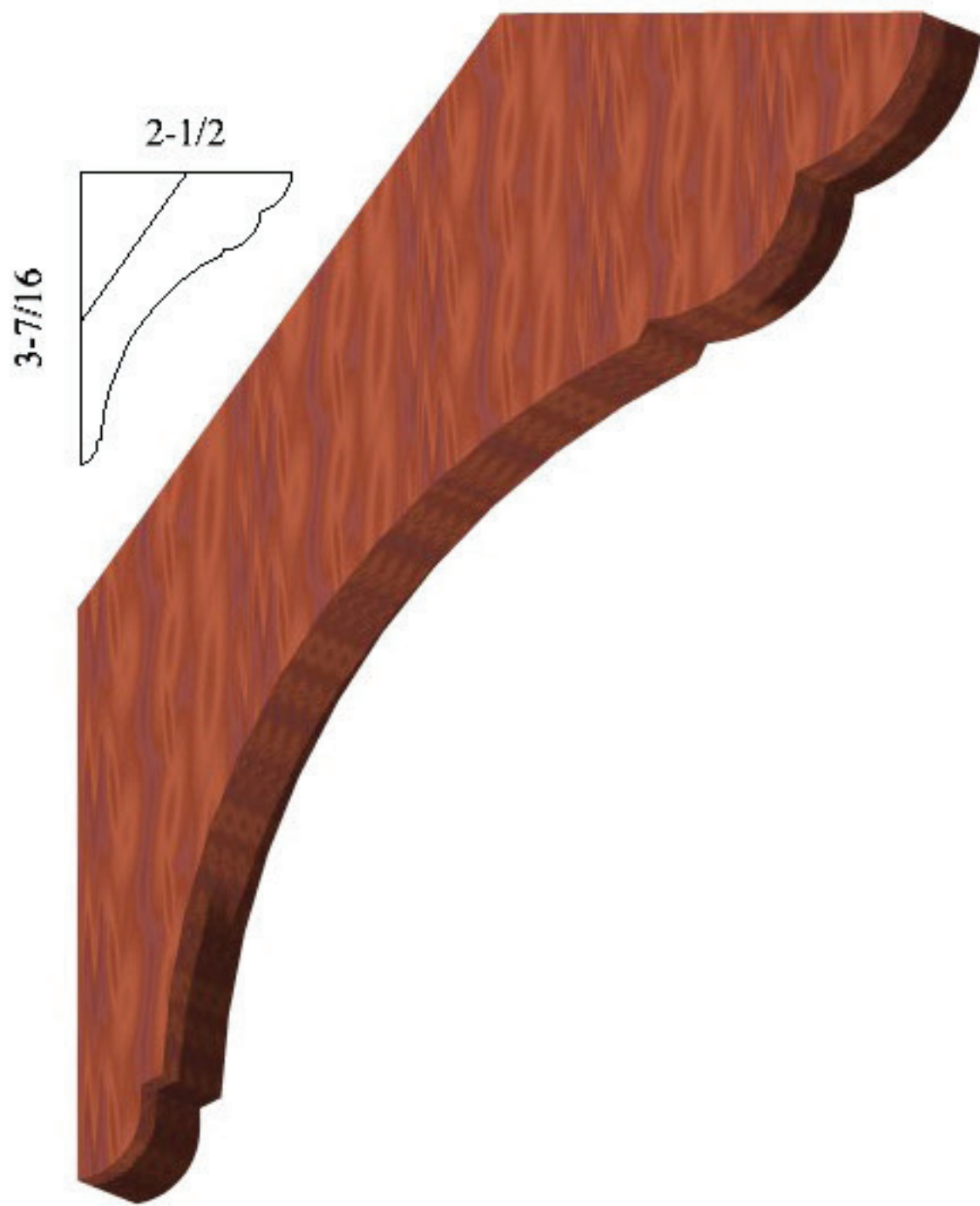
**CR147**  
1-1/8 x 3



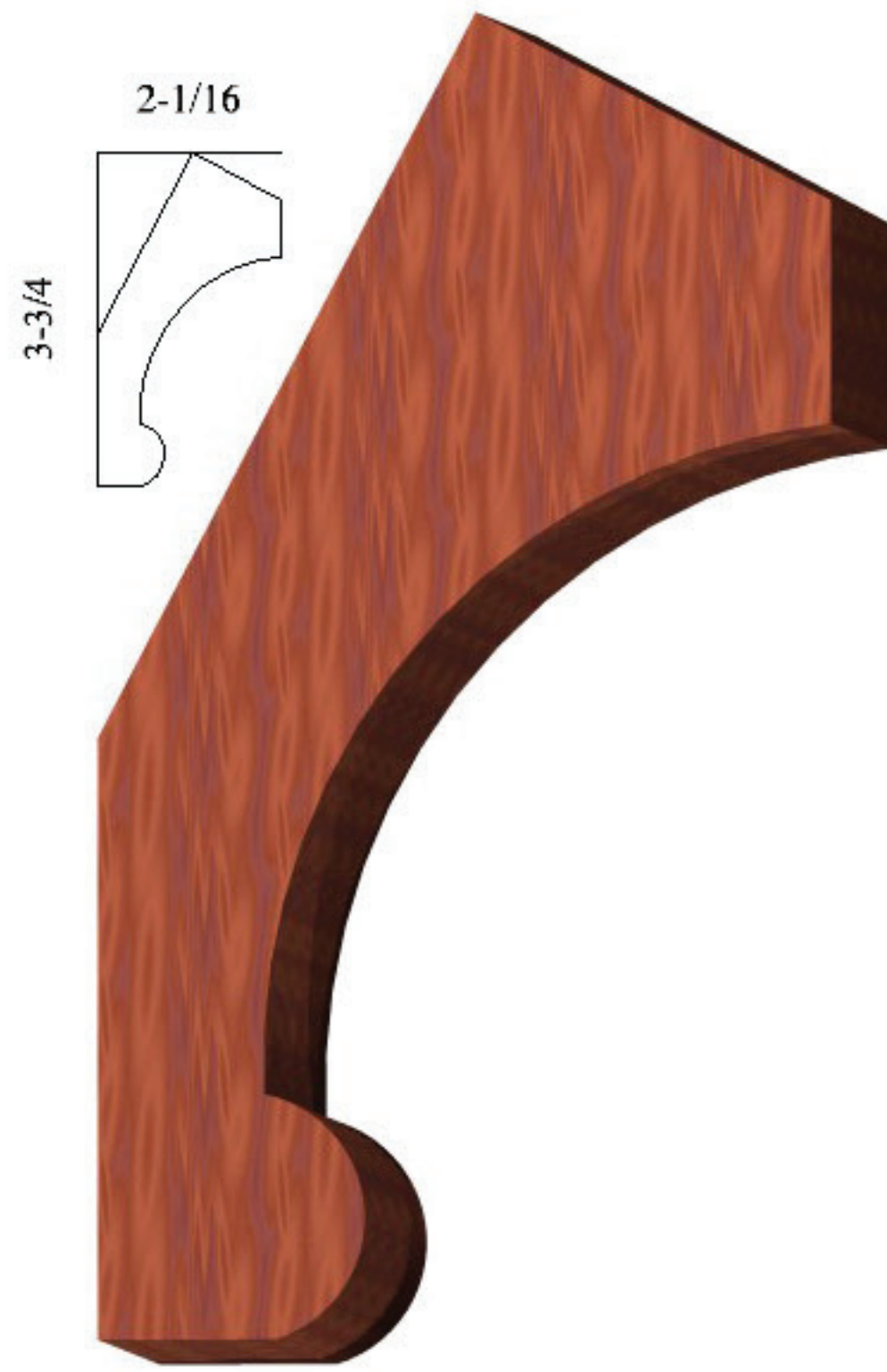
**CR95**  
3/4 x 3-9/16



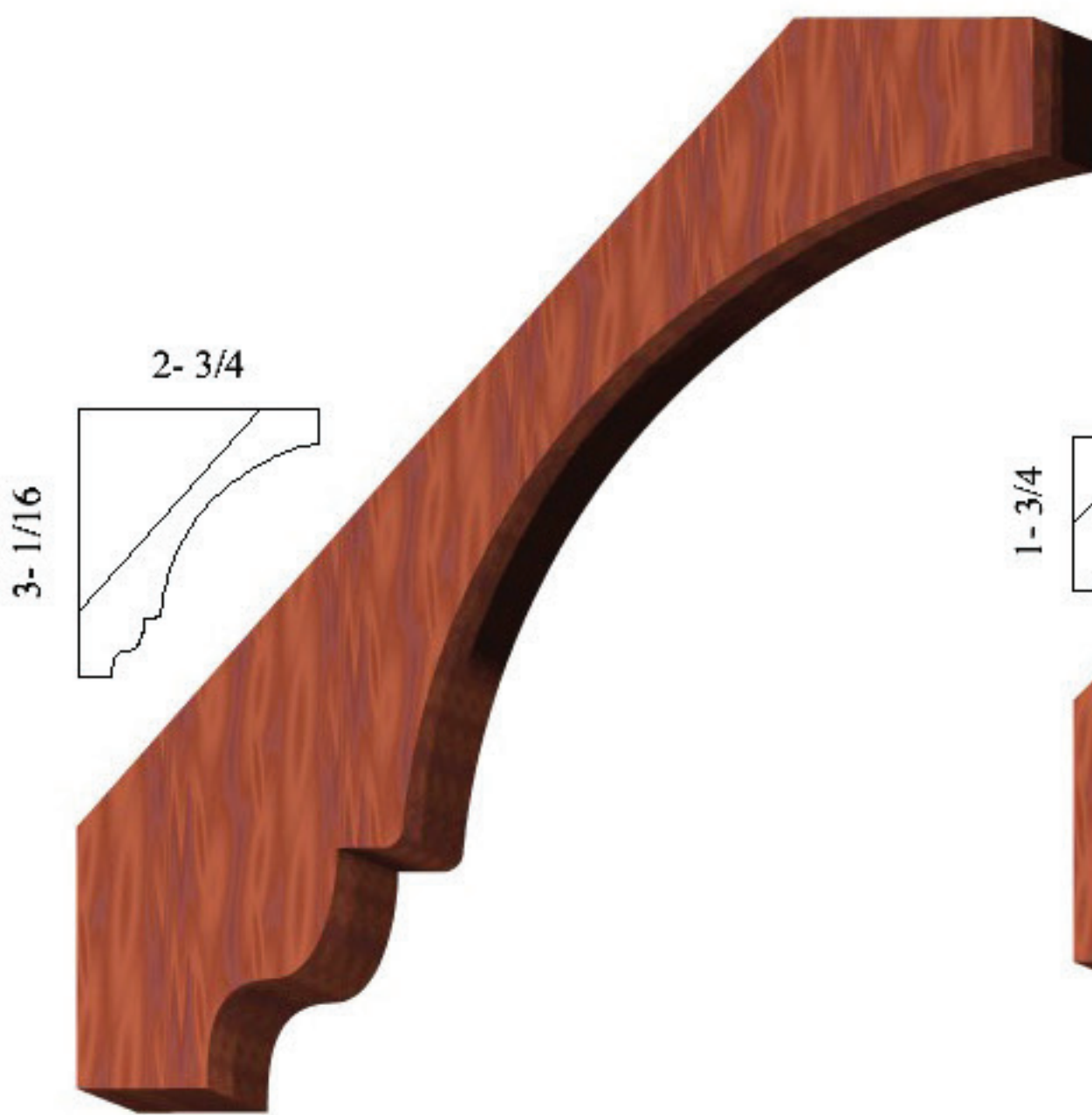
**CR210**  
1-1/2 x 4-5/16



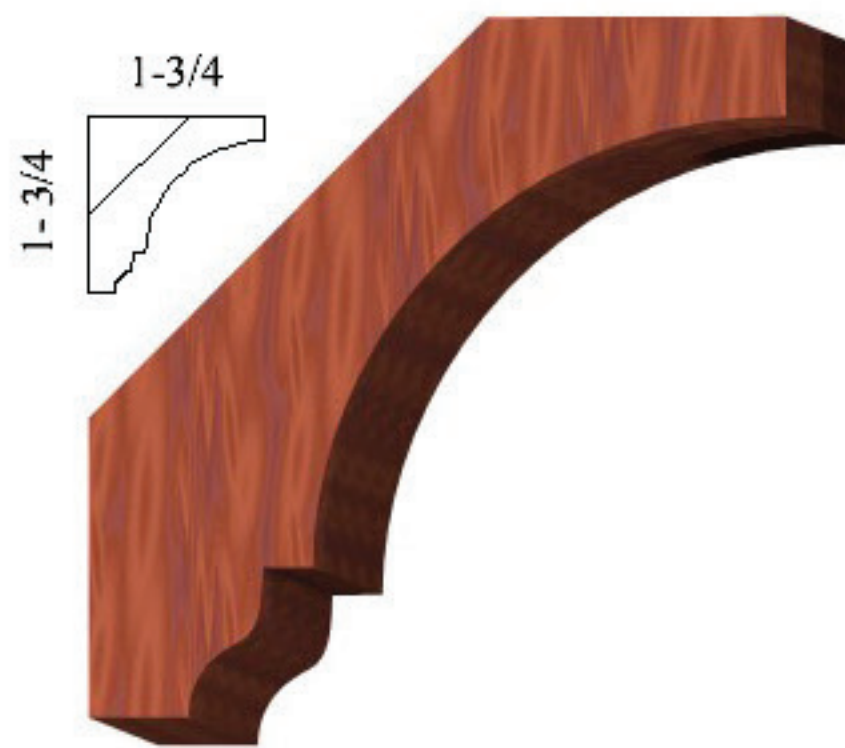
**CR44**  
 $1-1/16 \times 4-1/4$



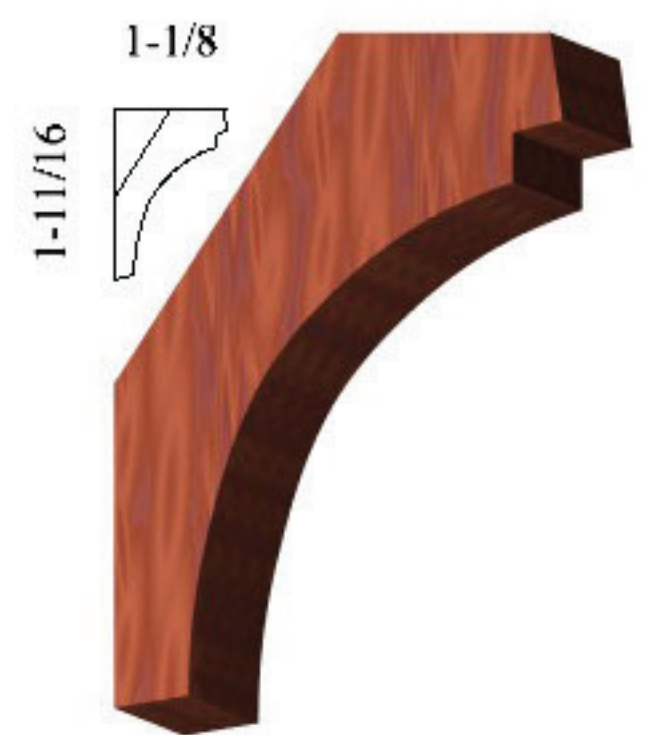
**CR140**  
 $1-3/8 \times 3-7/8$



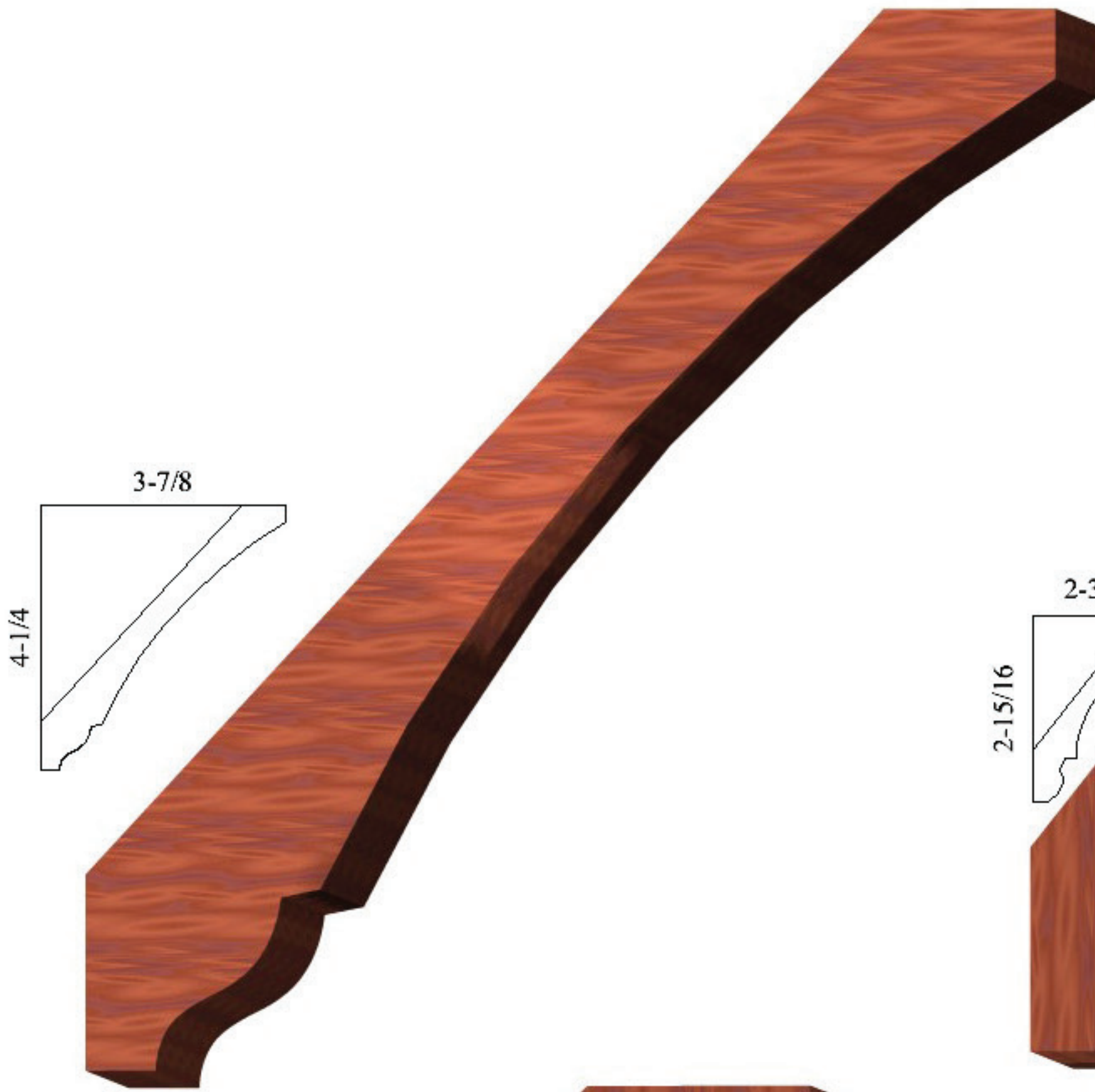
**CR 60**  
 $3/4 \times 4-1/8$



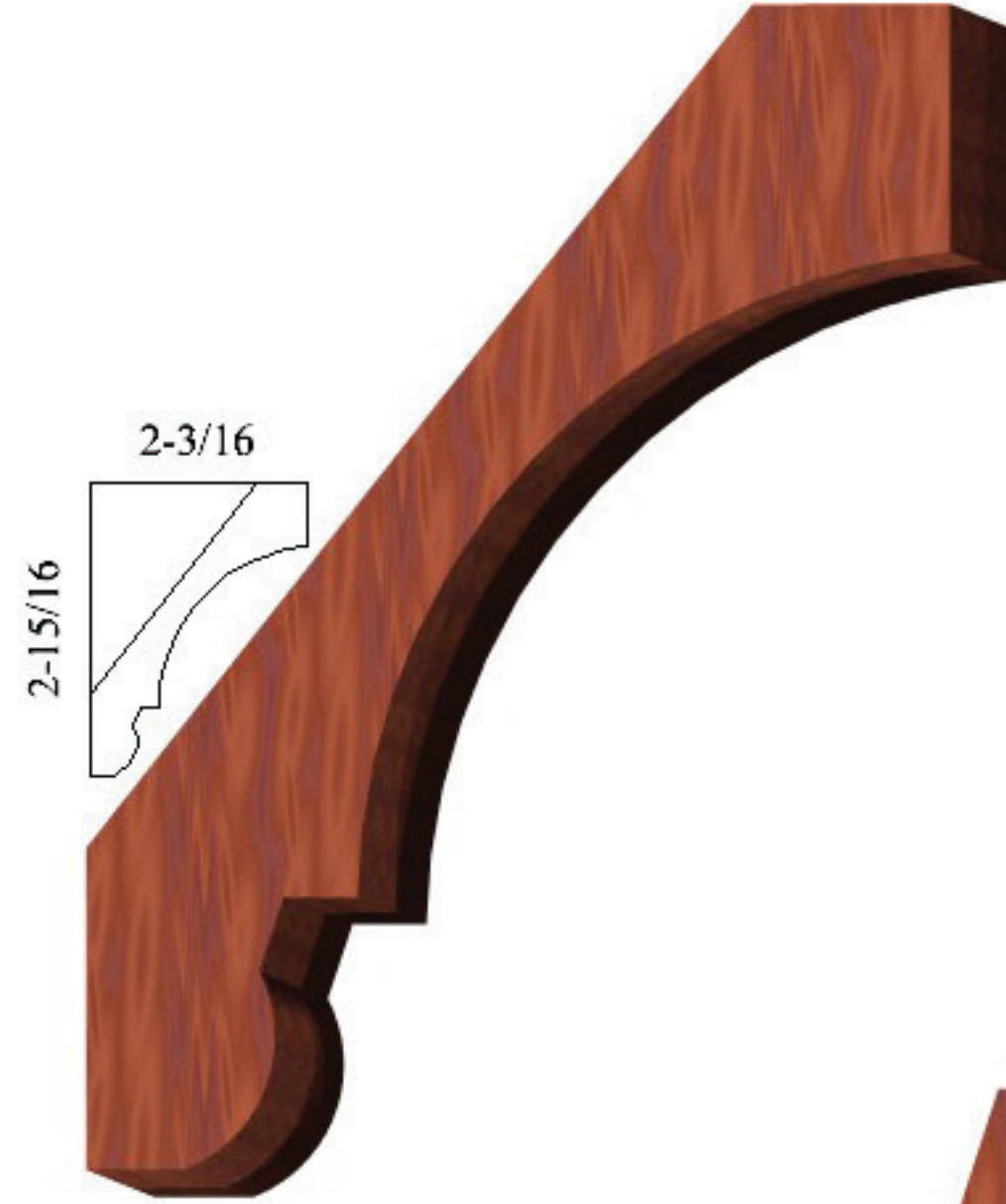
**CR 32**  
 $3/4 \times 2-1/2$



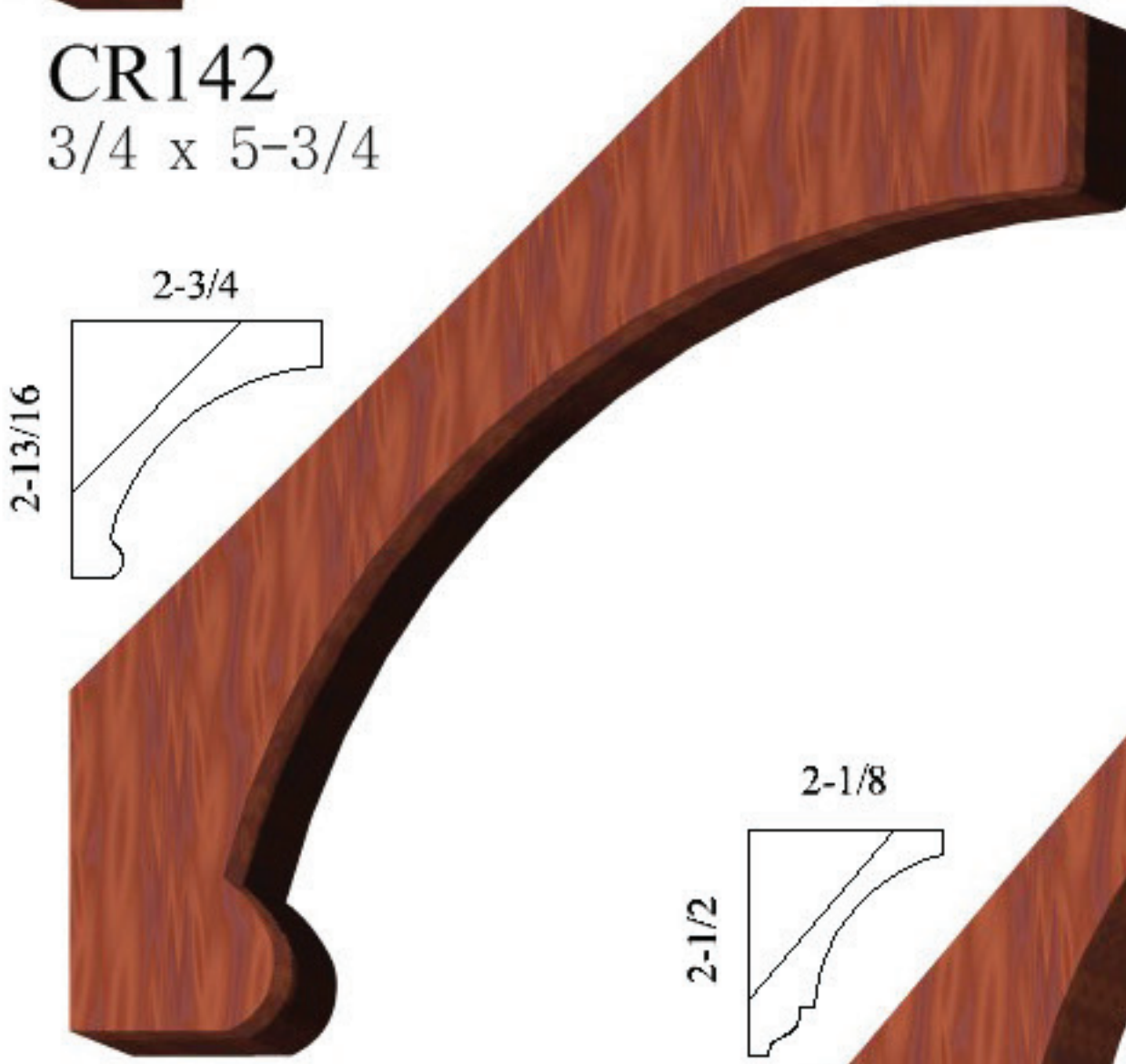
**CR25**  
 $9/16 \times 2$



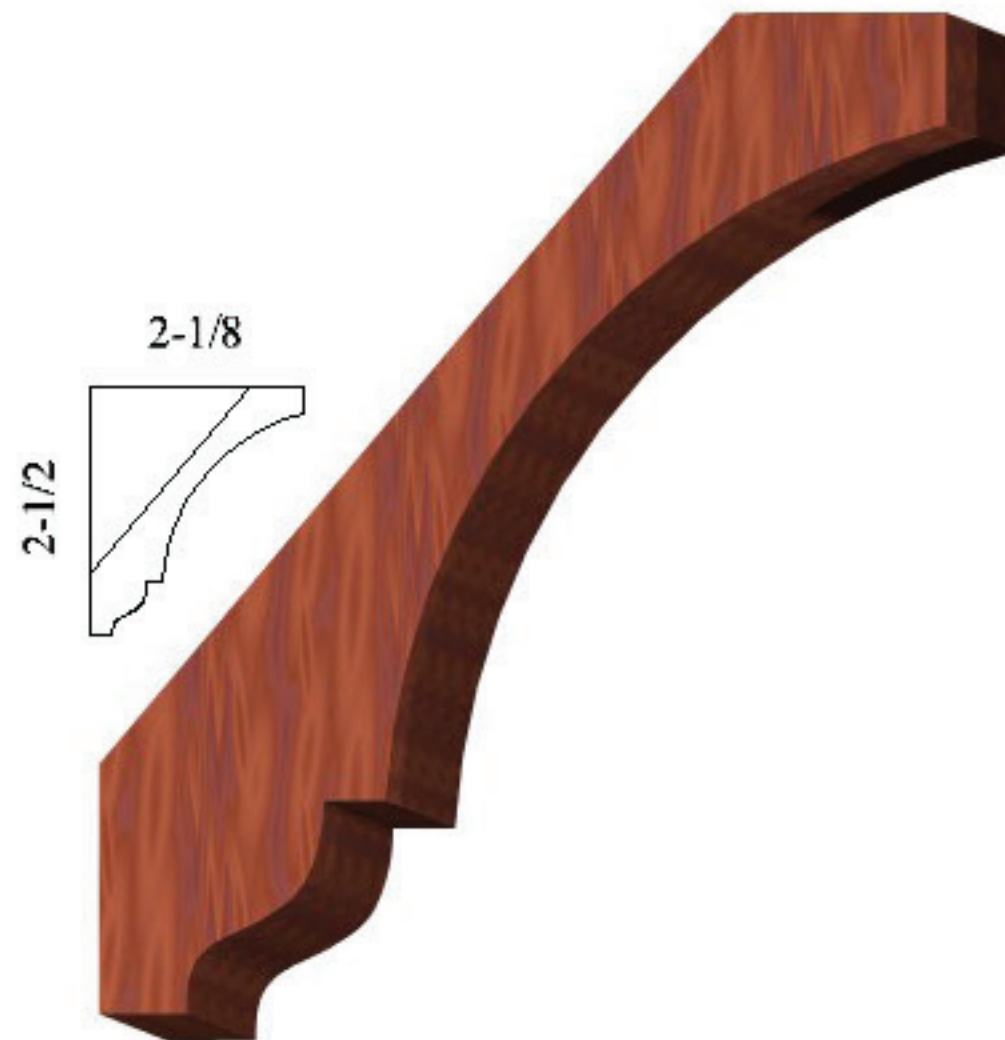
**CR142**  
3/4 x 5-3/4



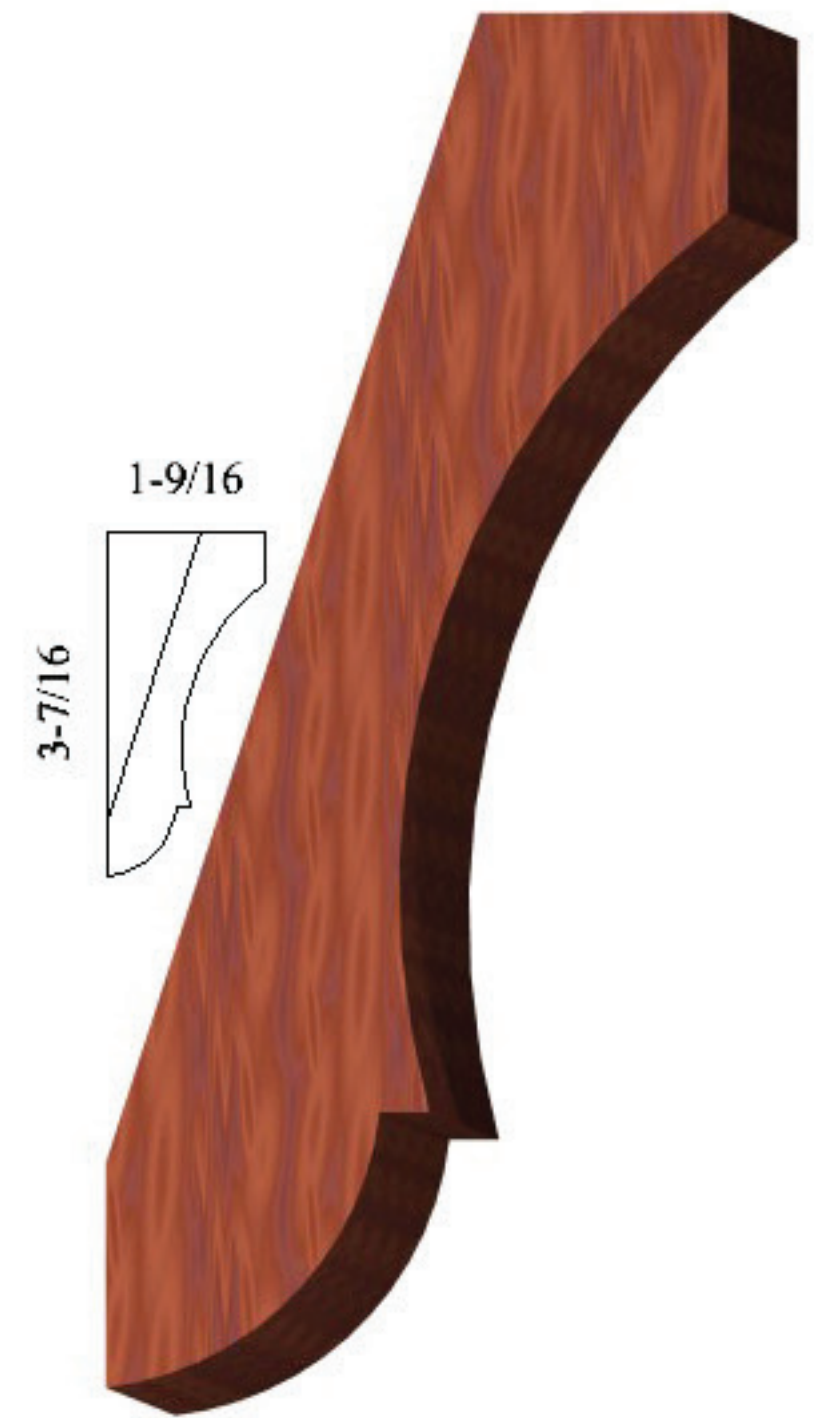
**CR194**  
3/4 x 3-5/8



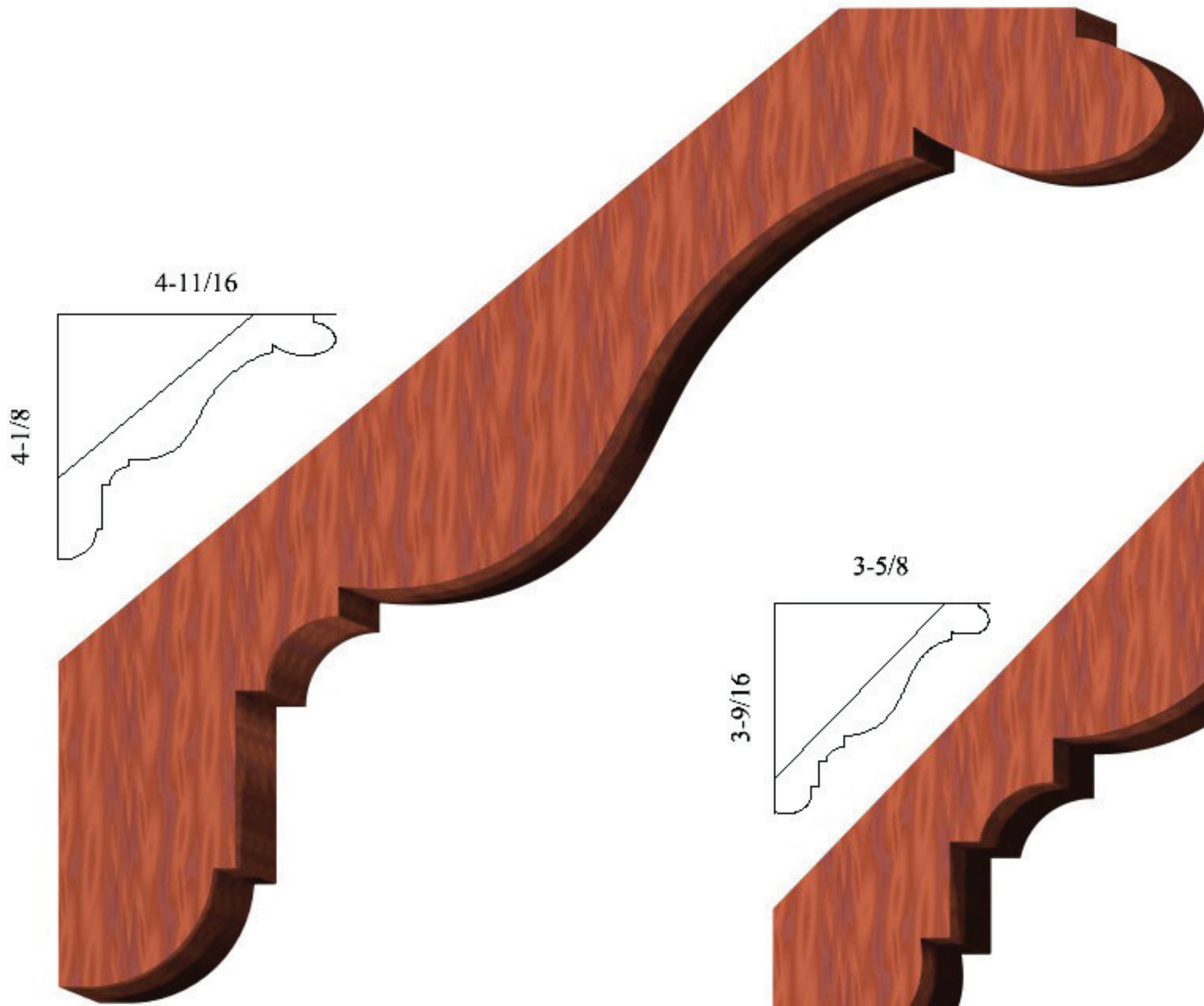
**CR184**  
1 x 3-15/16



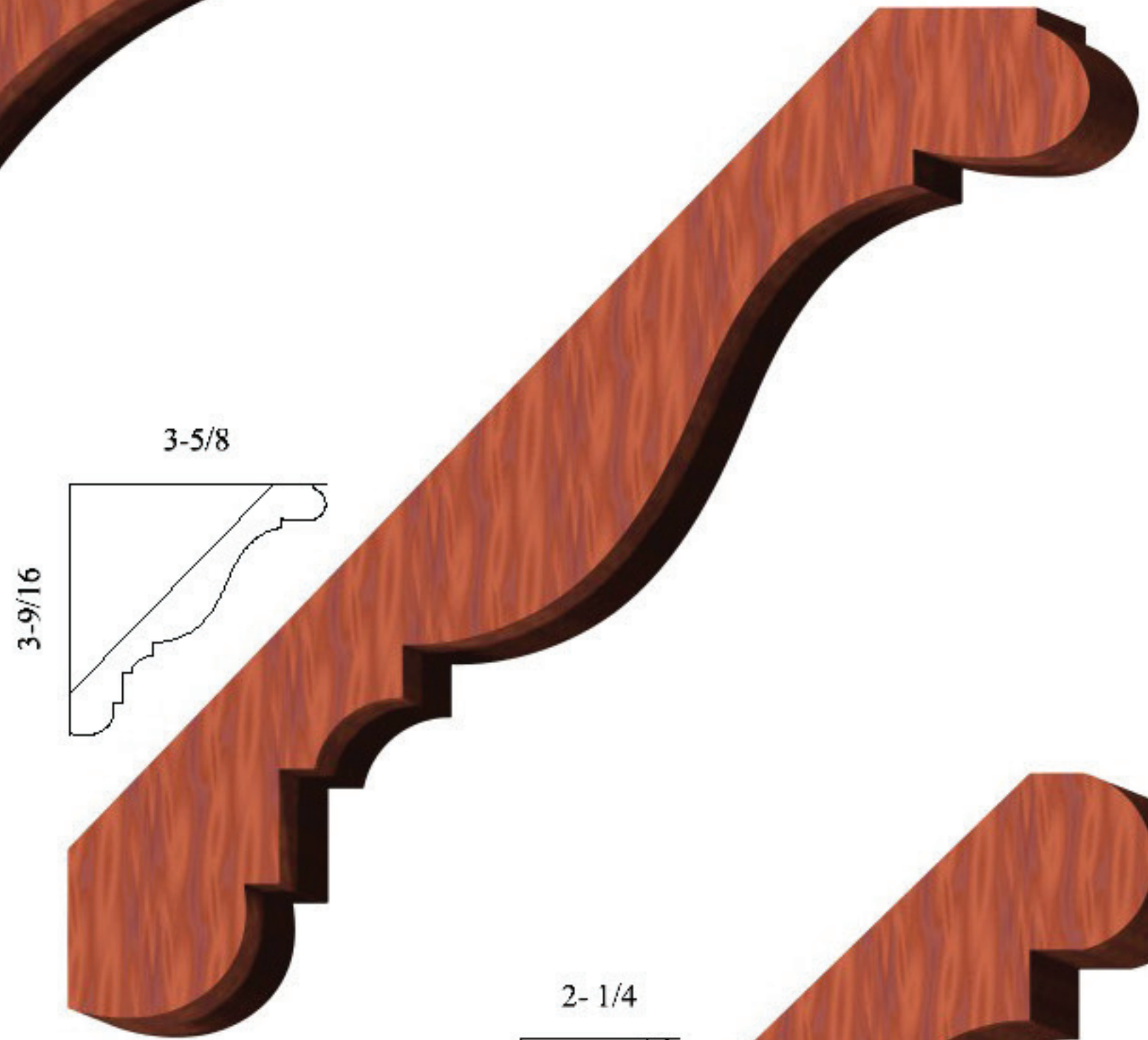
**CR158**  
3/4 x 3-5/16



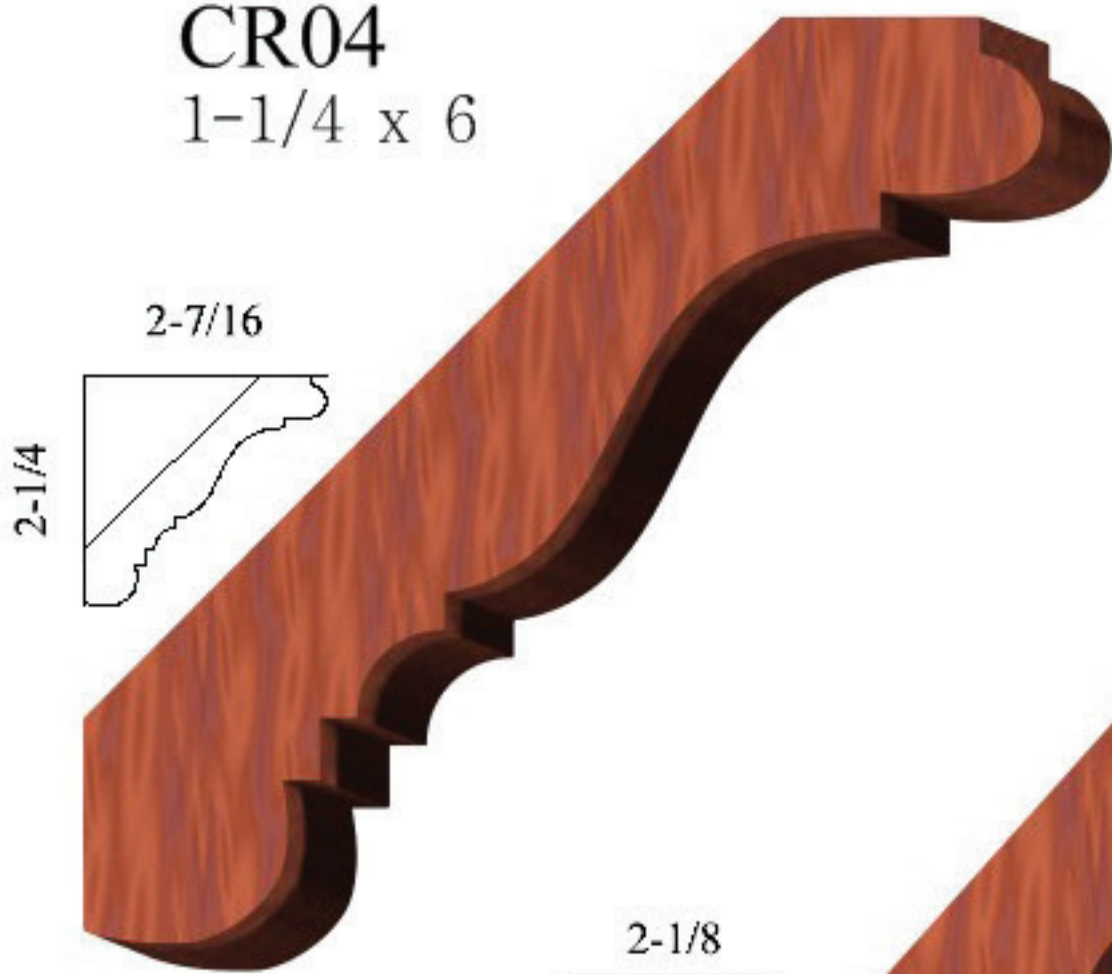
**CR180**  
3/4 x 3-13/16



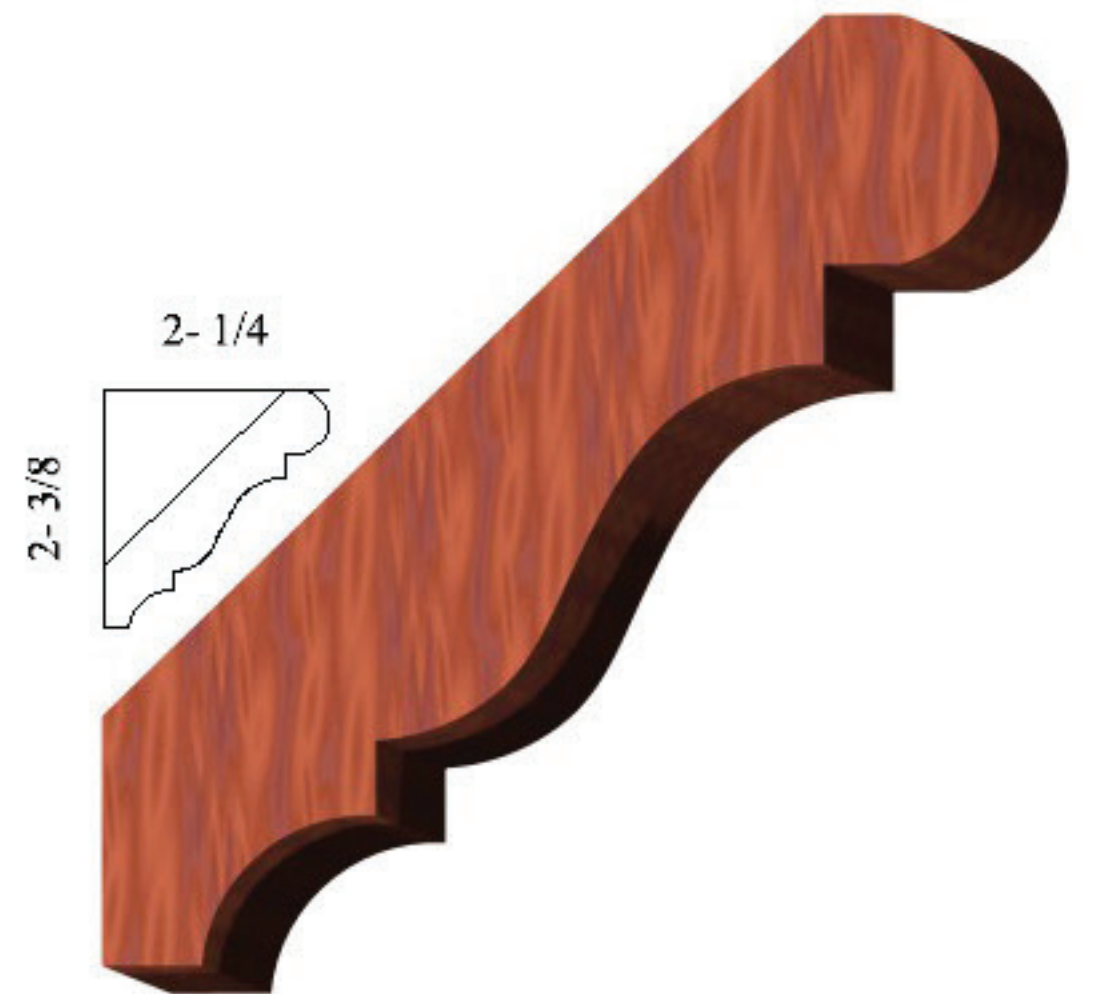
**CR04**  
1-1/4 x 6



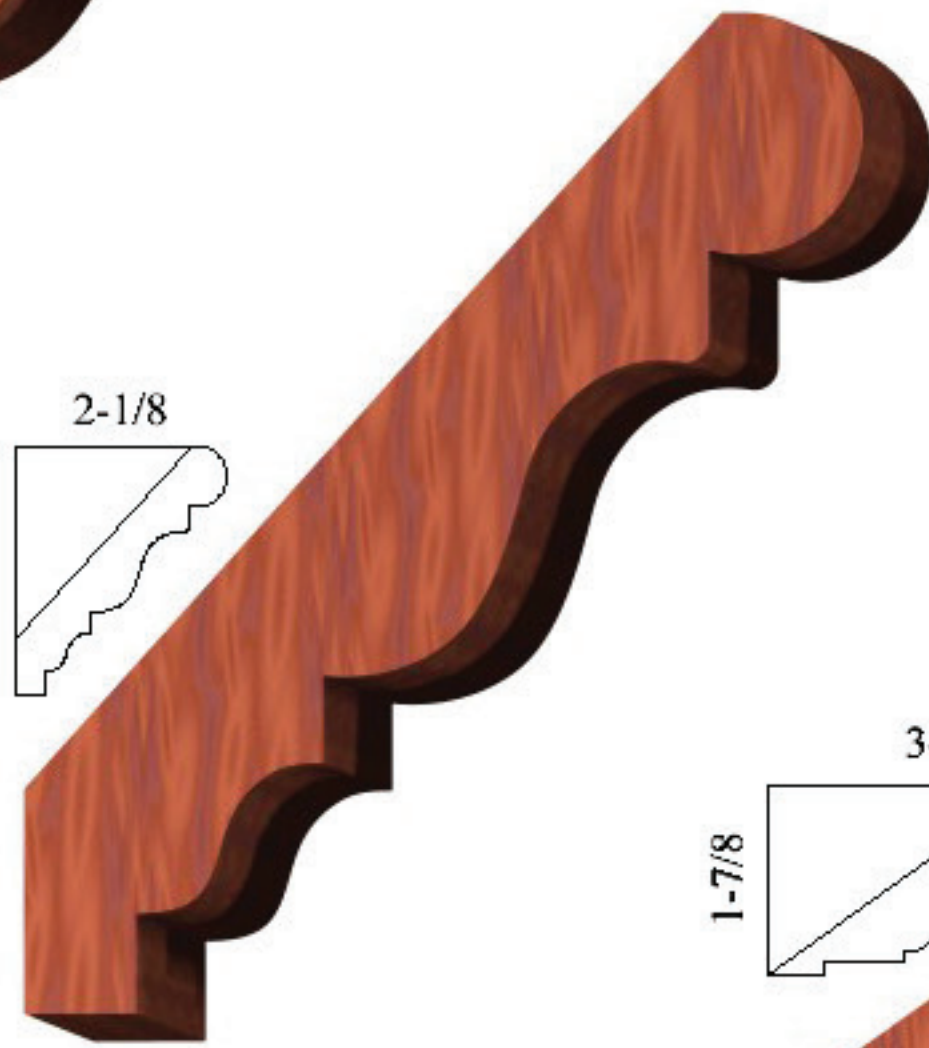
**CR42**  
3/4 x 4-15/16



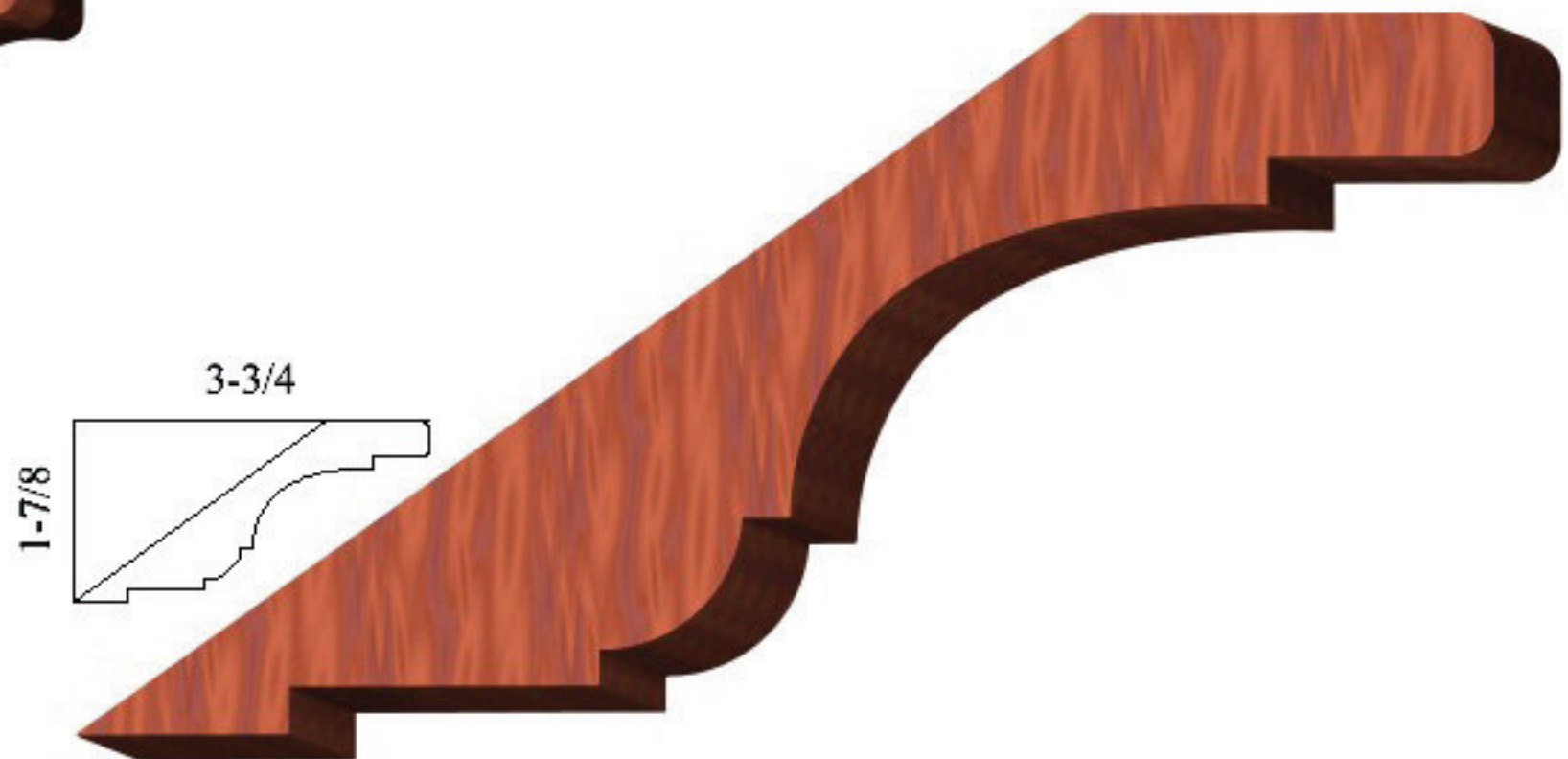
**CR43**  
3/4 x 3-3/16



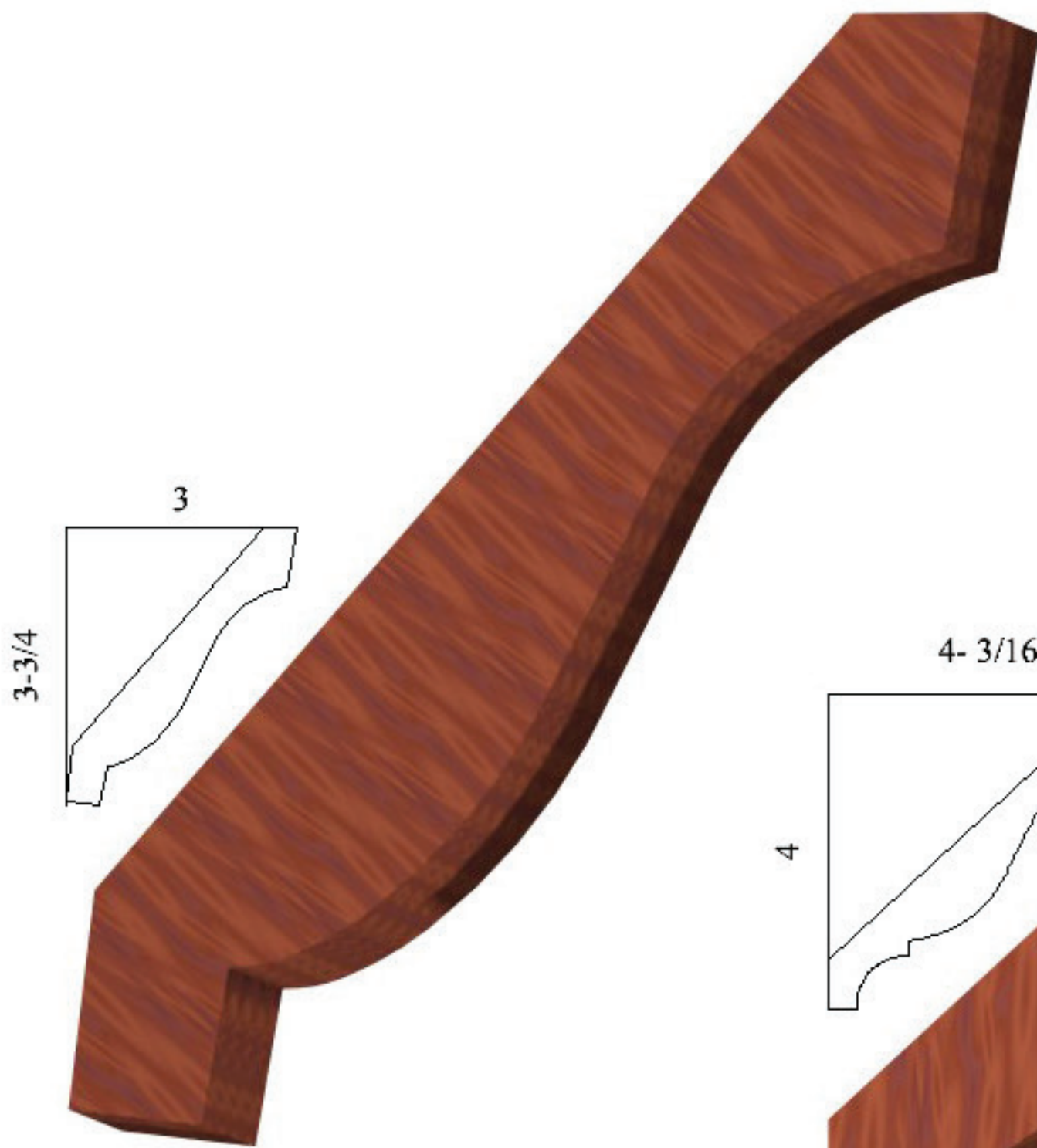
**CR 23**  
11/16 x 3- 1/4



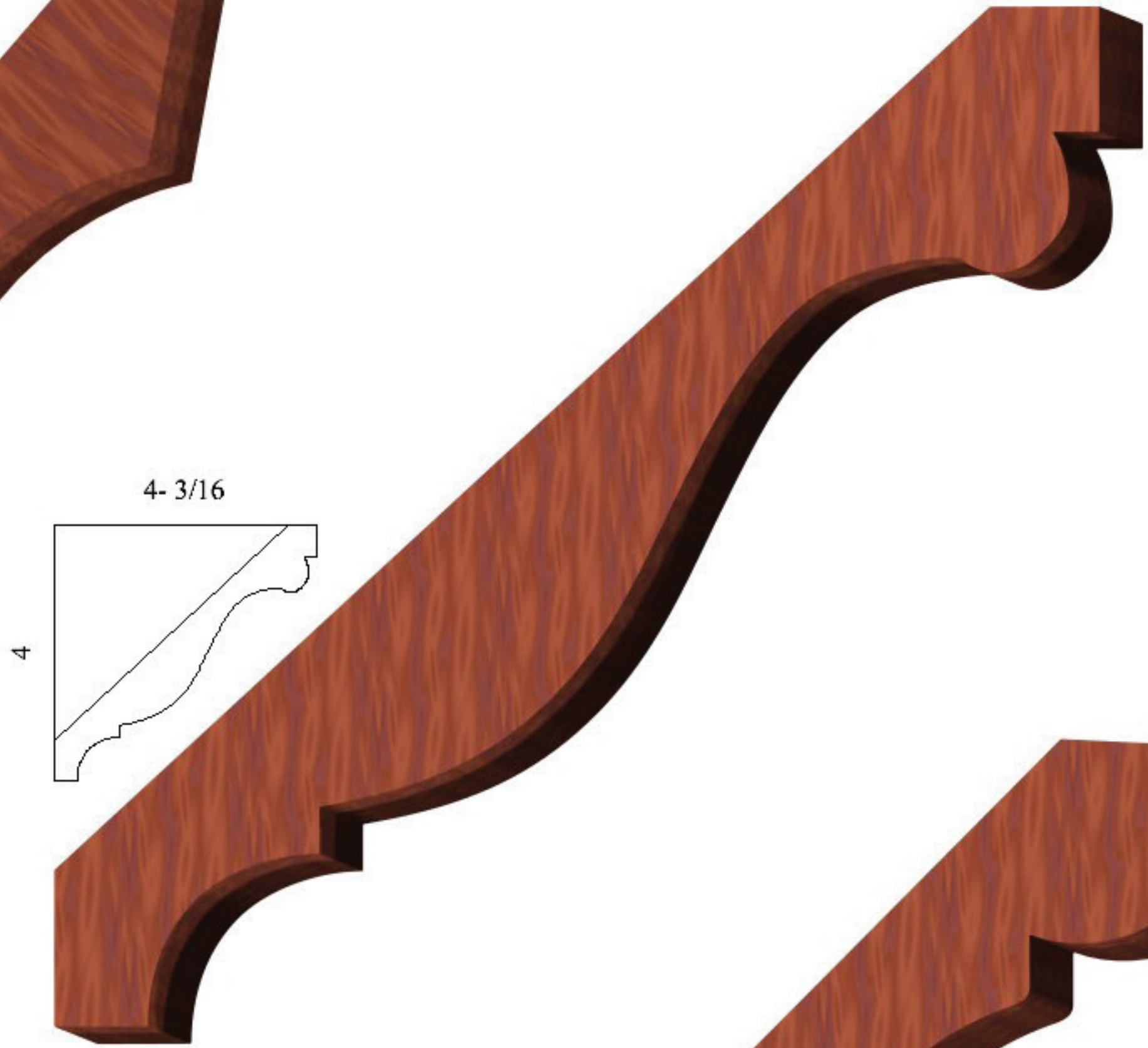
**CR134**  
1/2 x 3-1/16



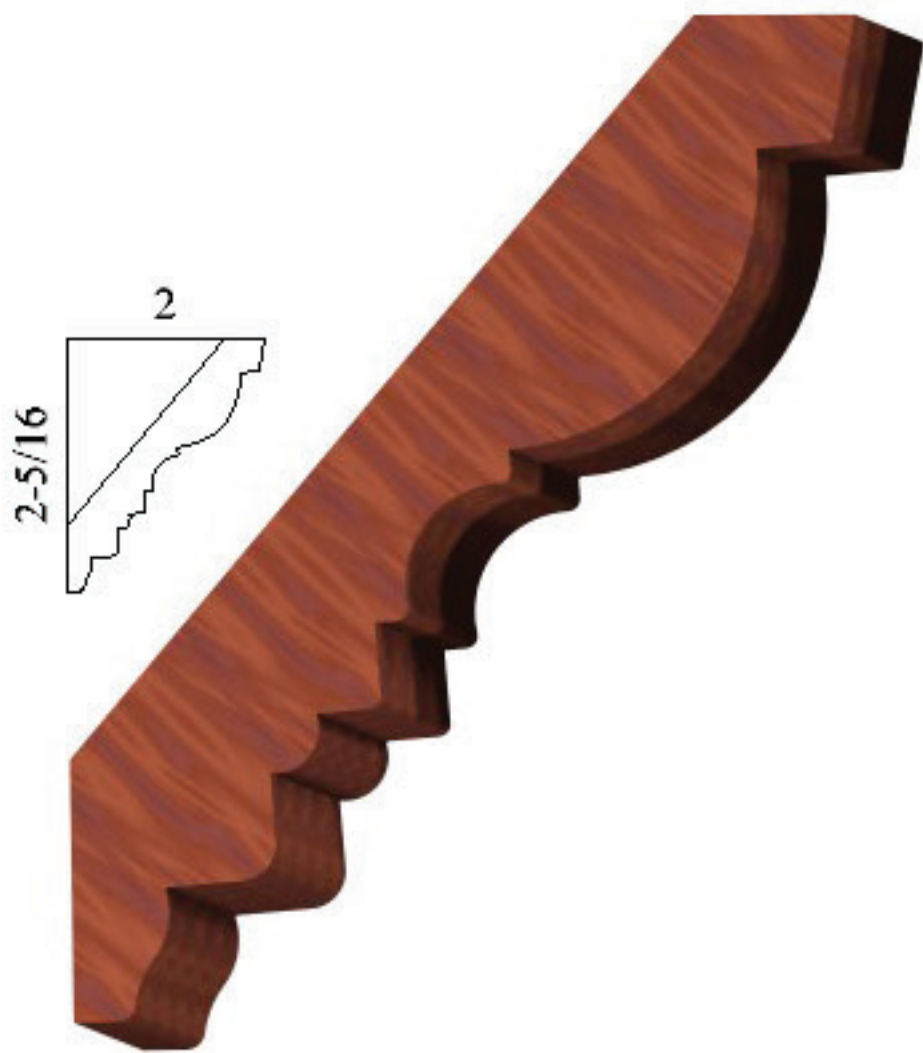
**CR20**  
11/16 x 4-1/8



**CR224**  
3/4 x 4-5/8



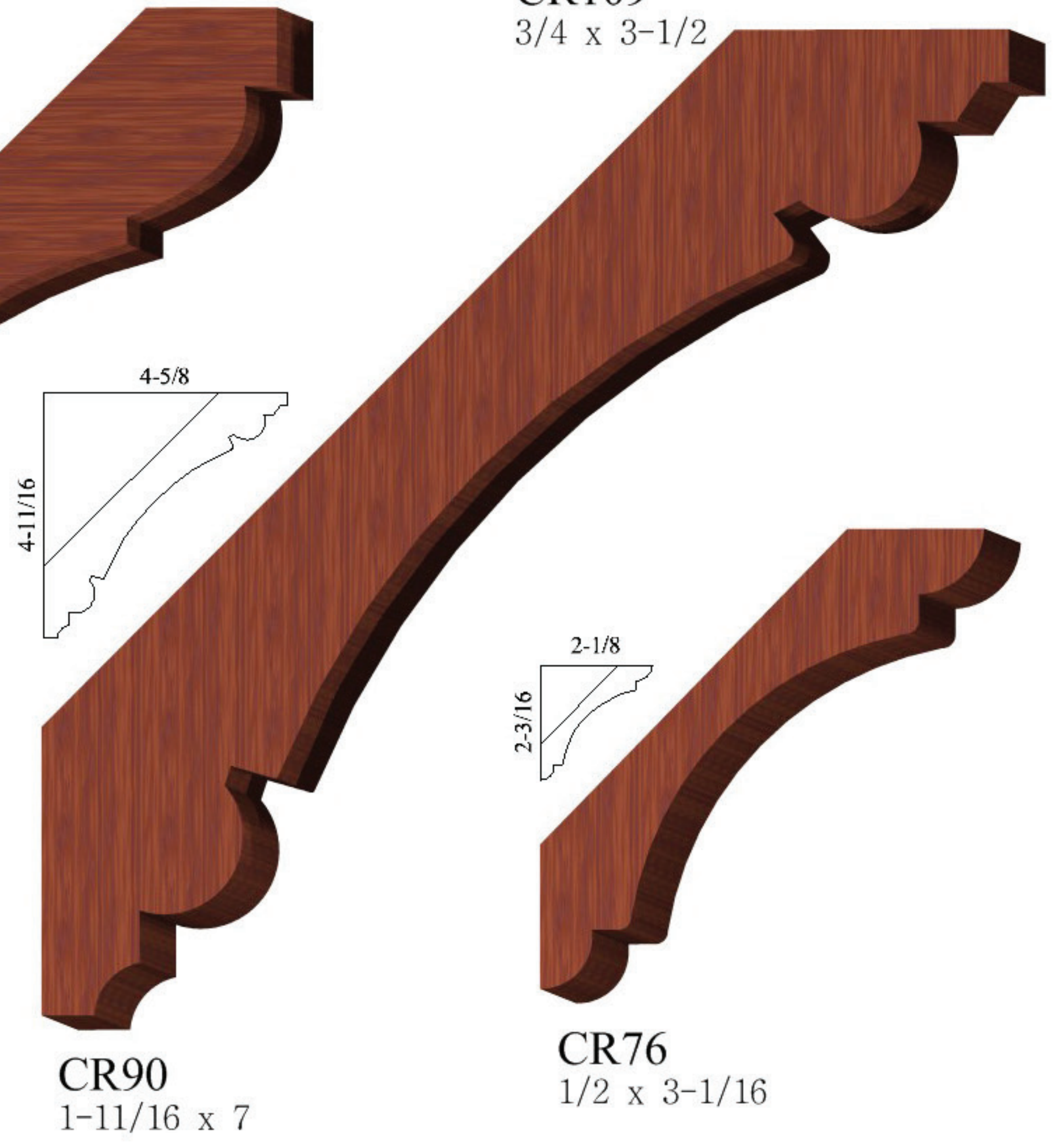
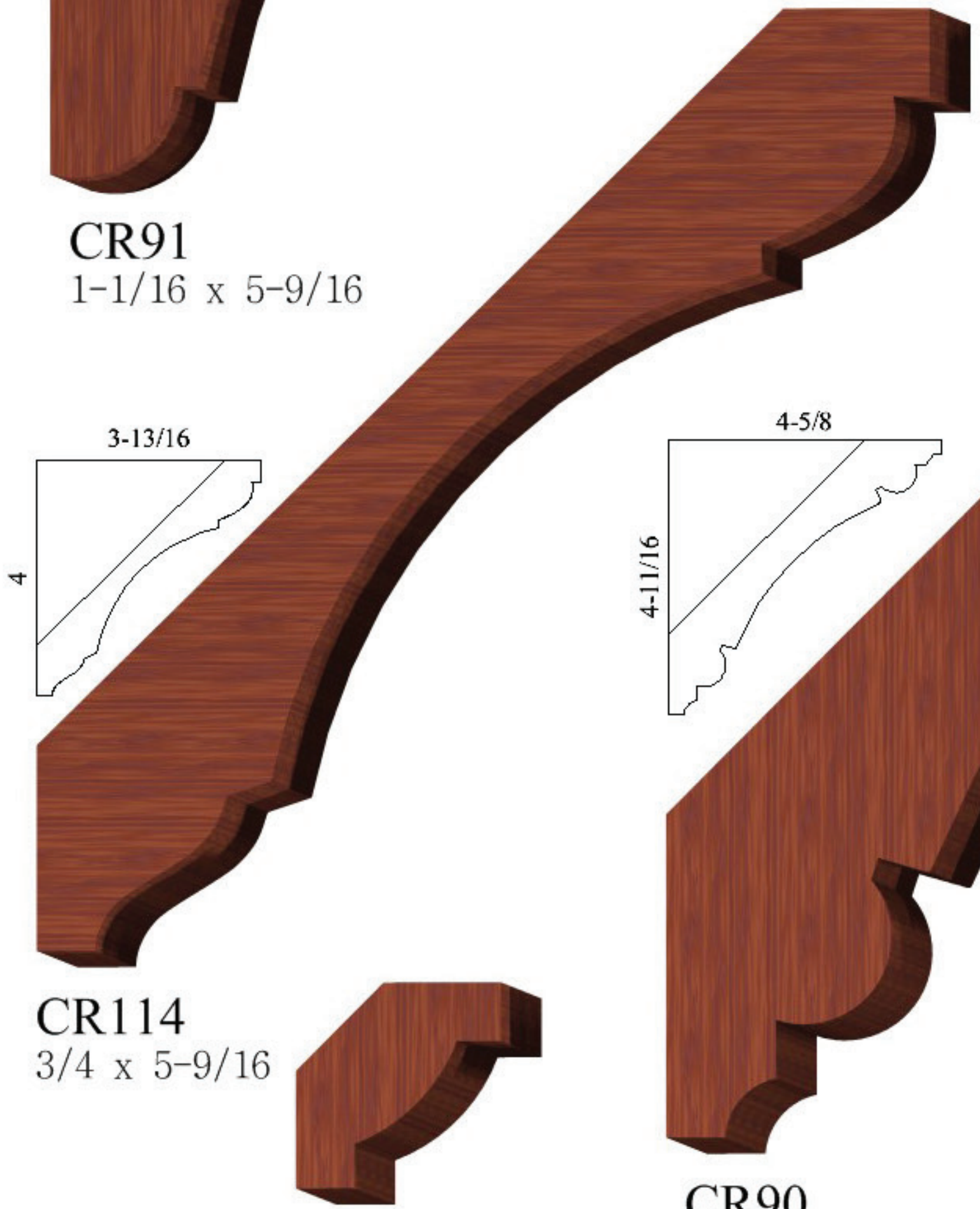
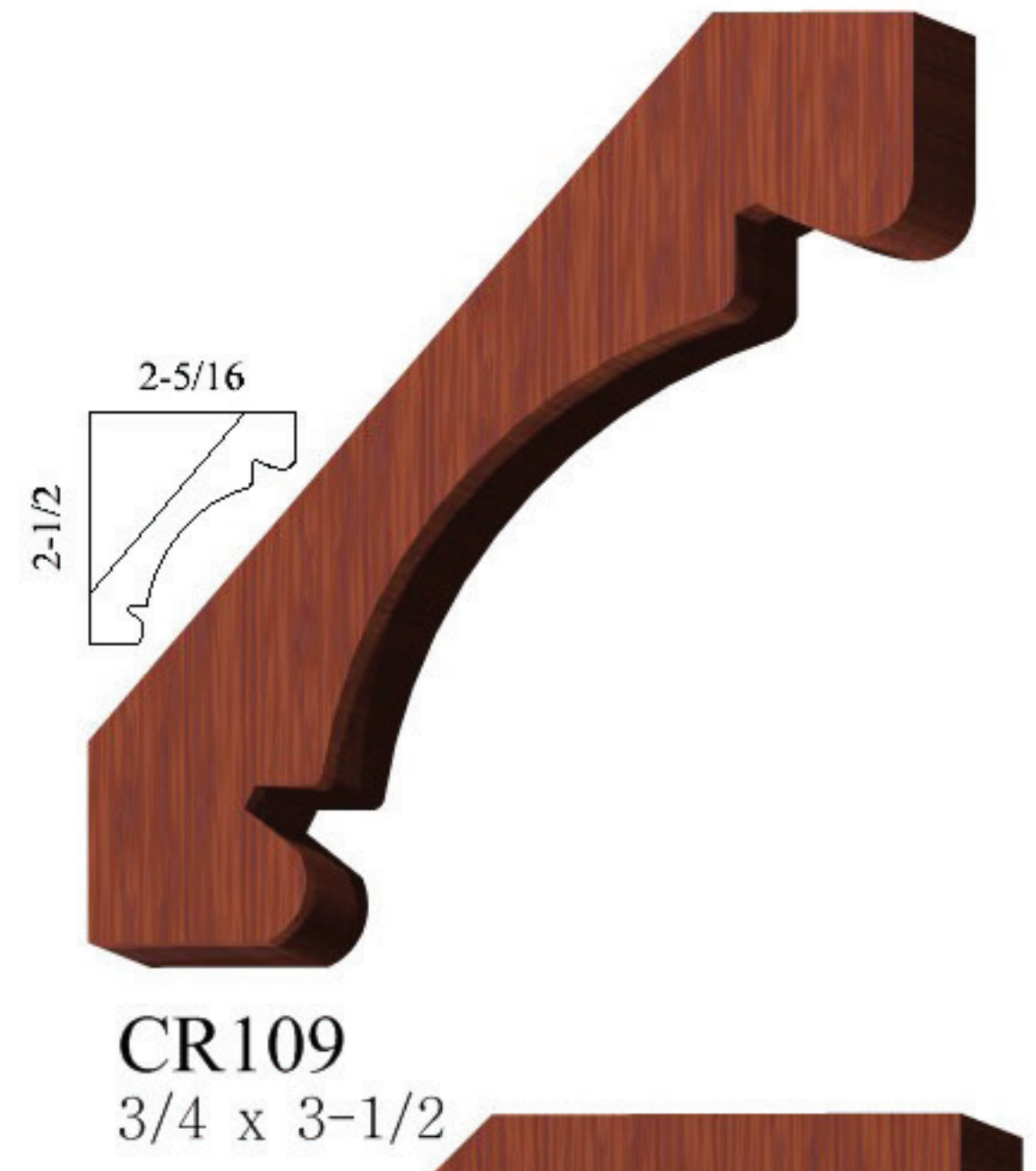
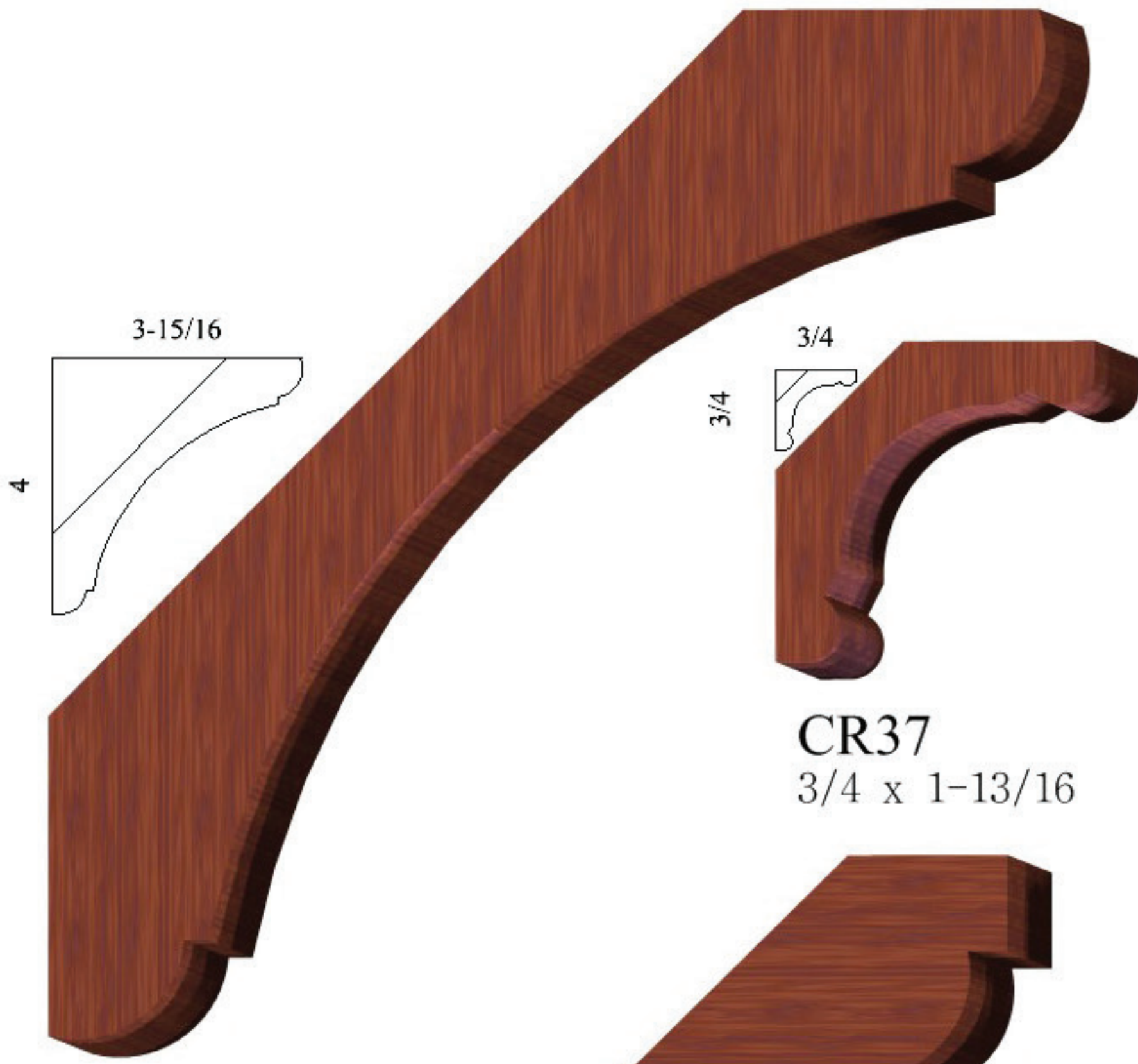
**CR35**  
7/8 x 6

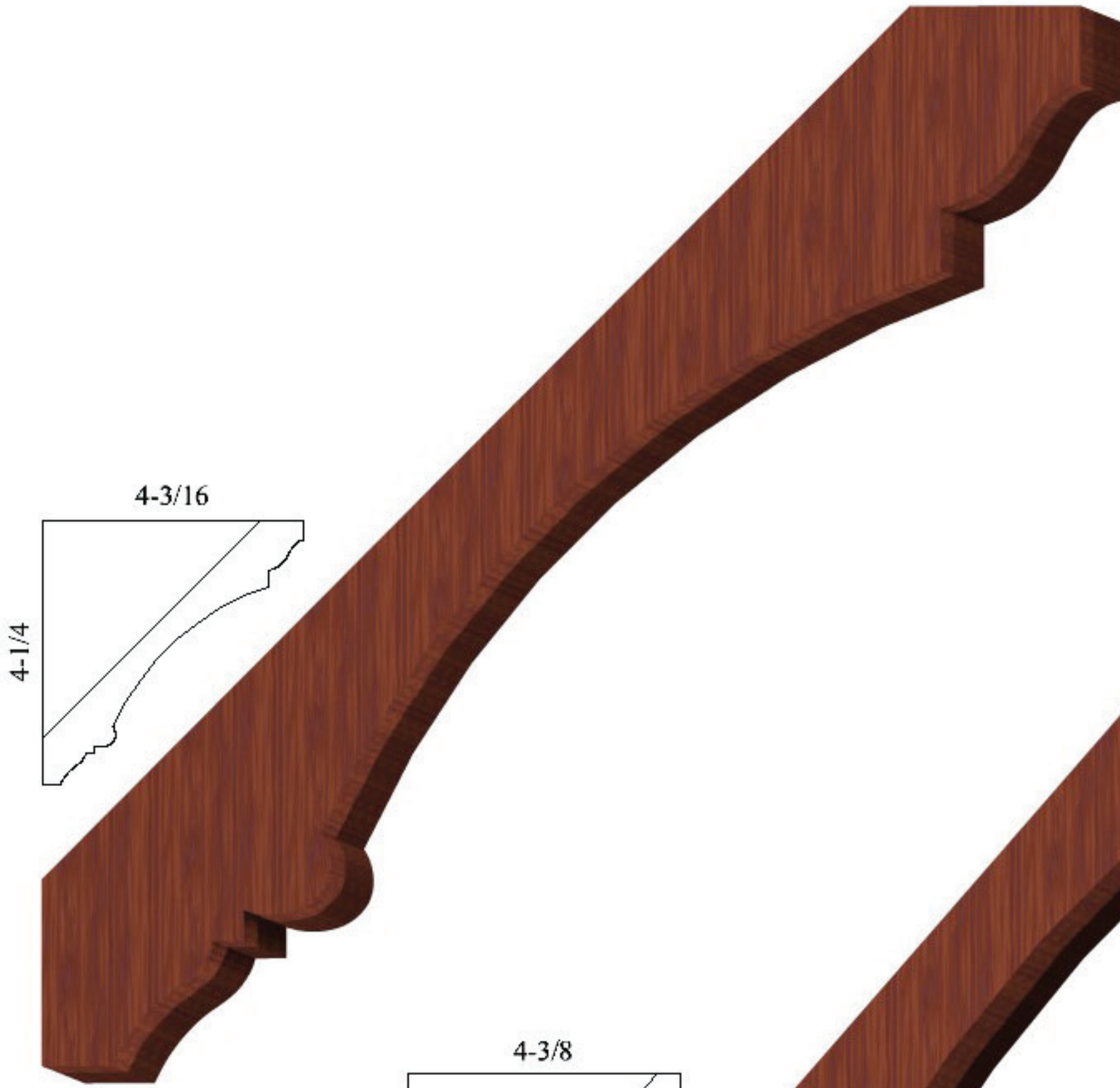


**CR182**  
9/16 x 3-3/16

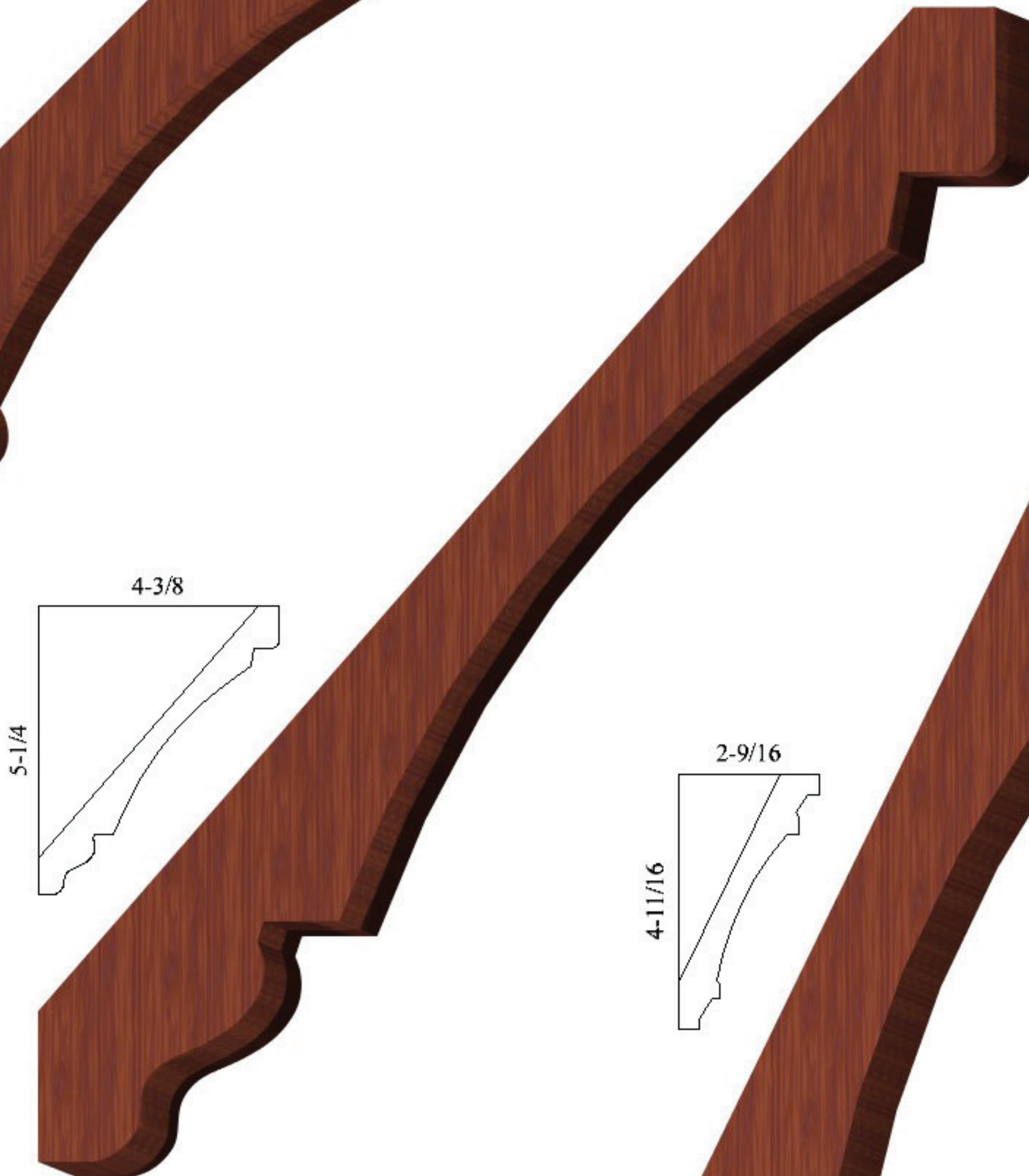


**CR69**  
13/16 x 6-1/8

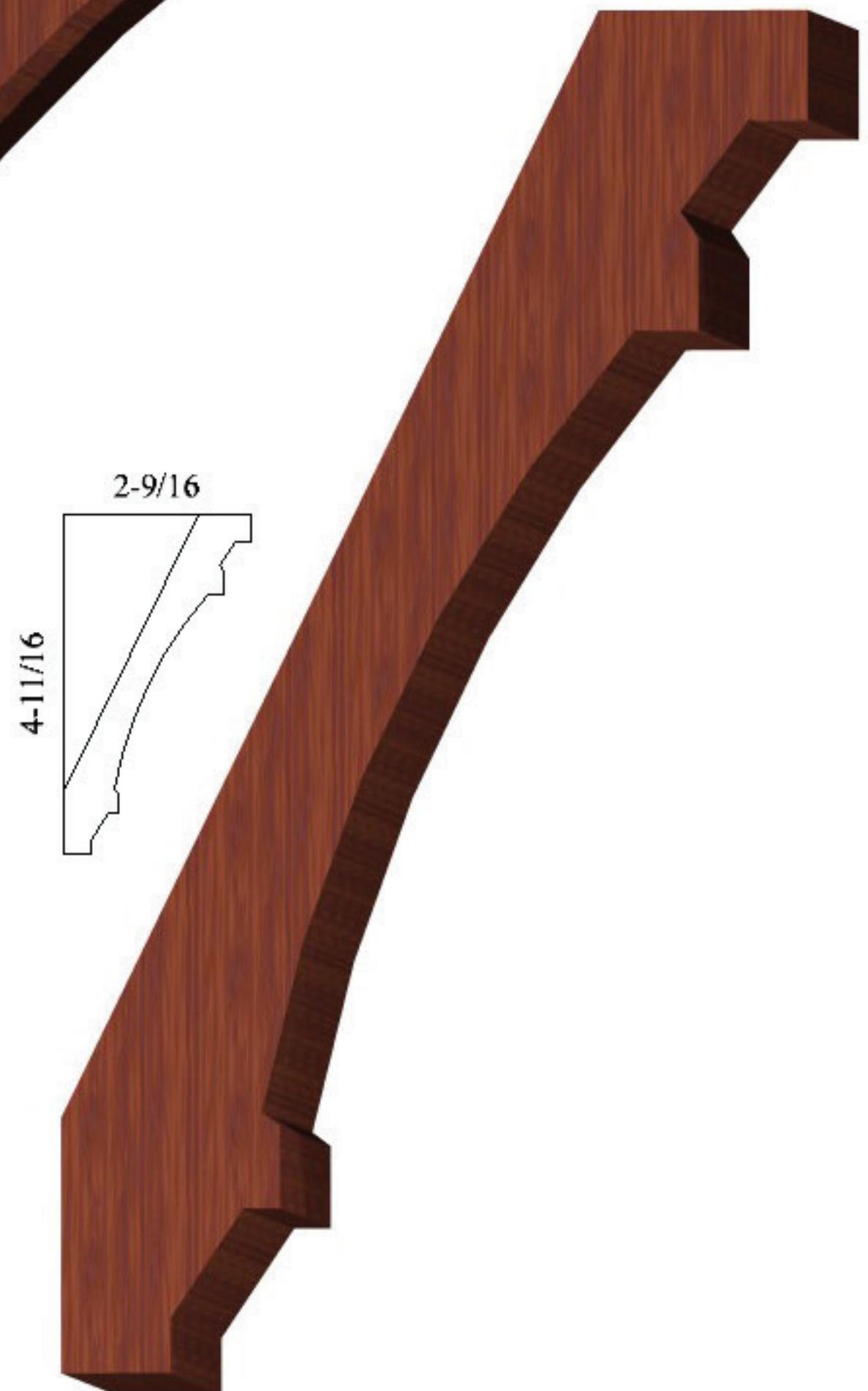




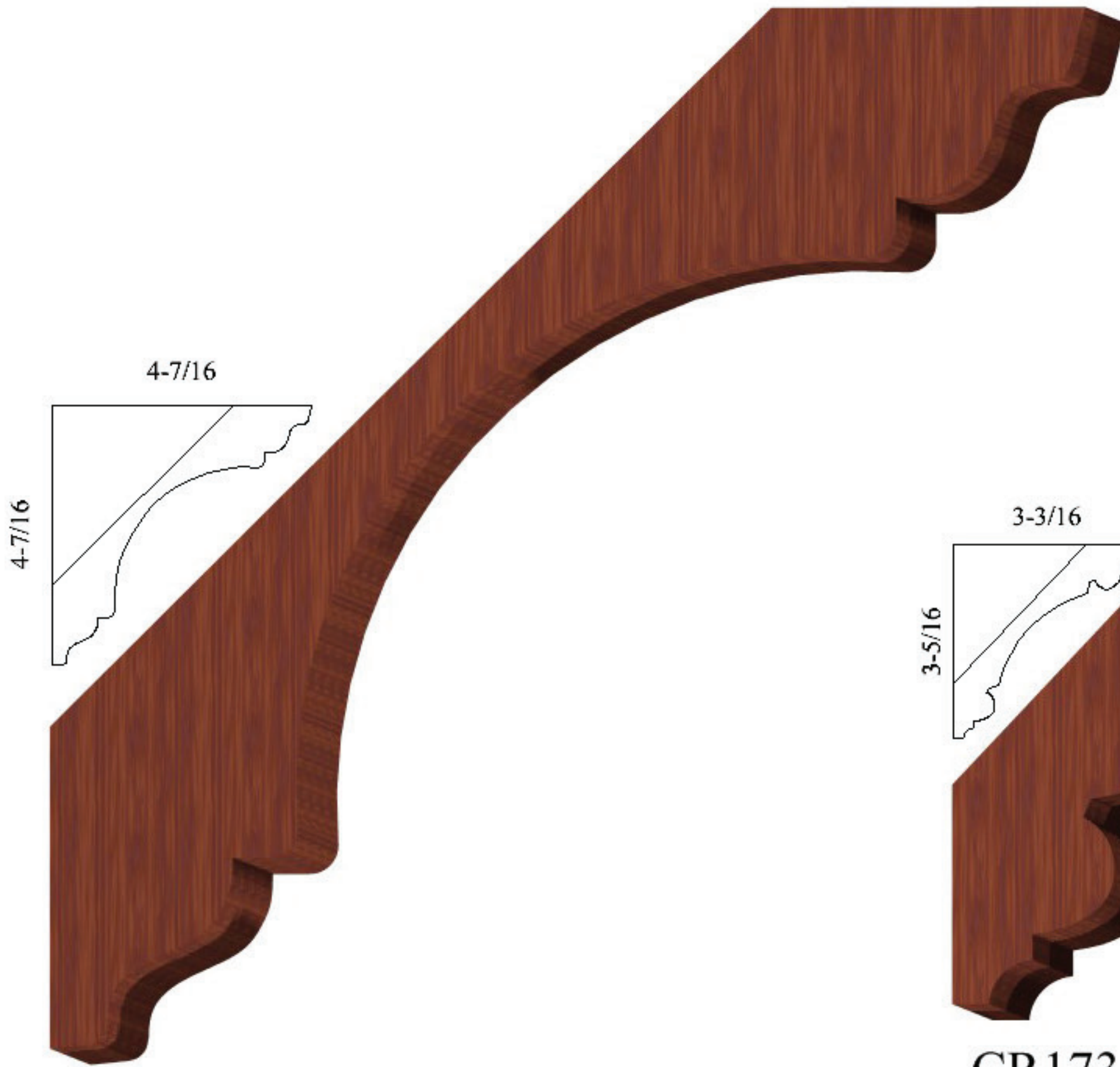
**CR87**  
 $13/16 \times 6$



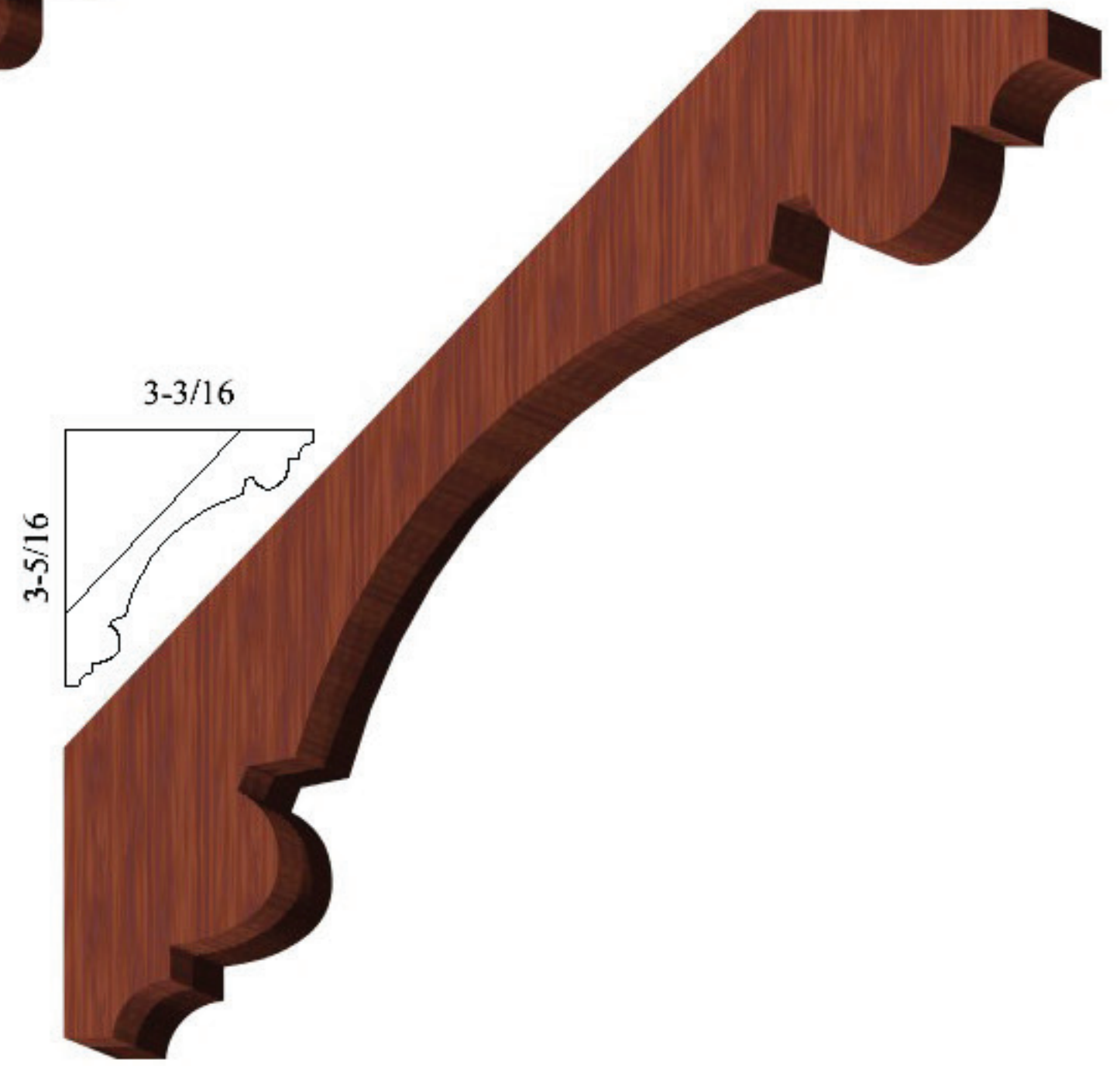
**CR171**  
 $3/4 \times 6-7/8$



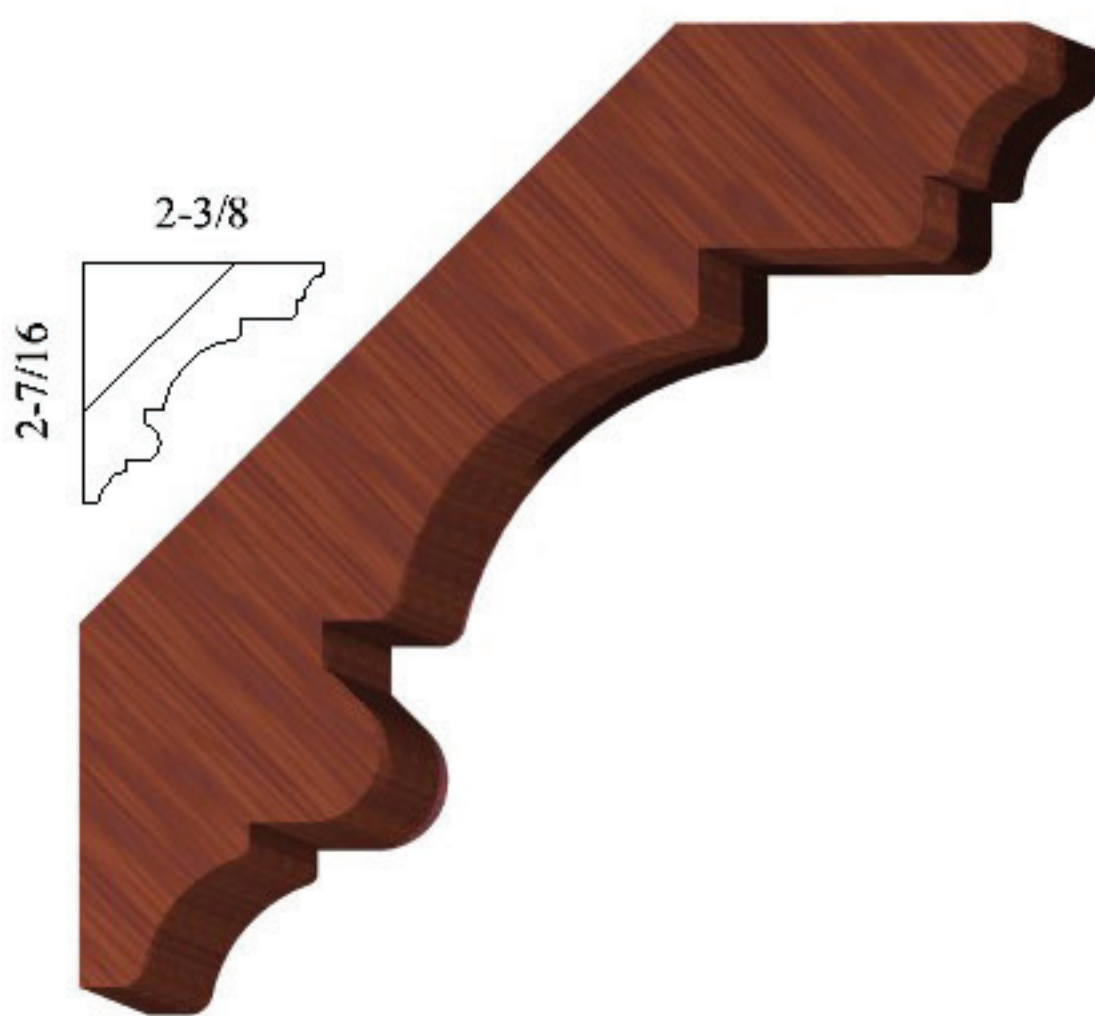
**CR160**  
 $3/4 \times 5-5/16$



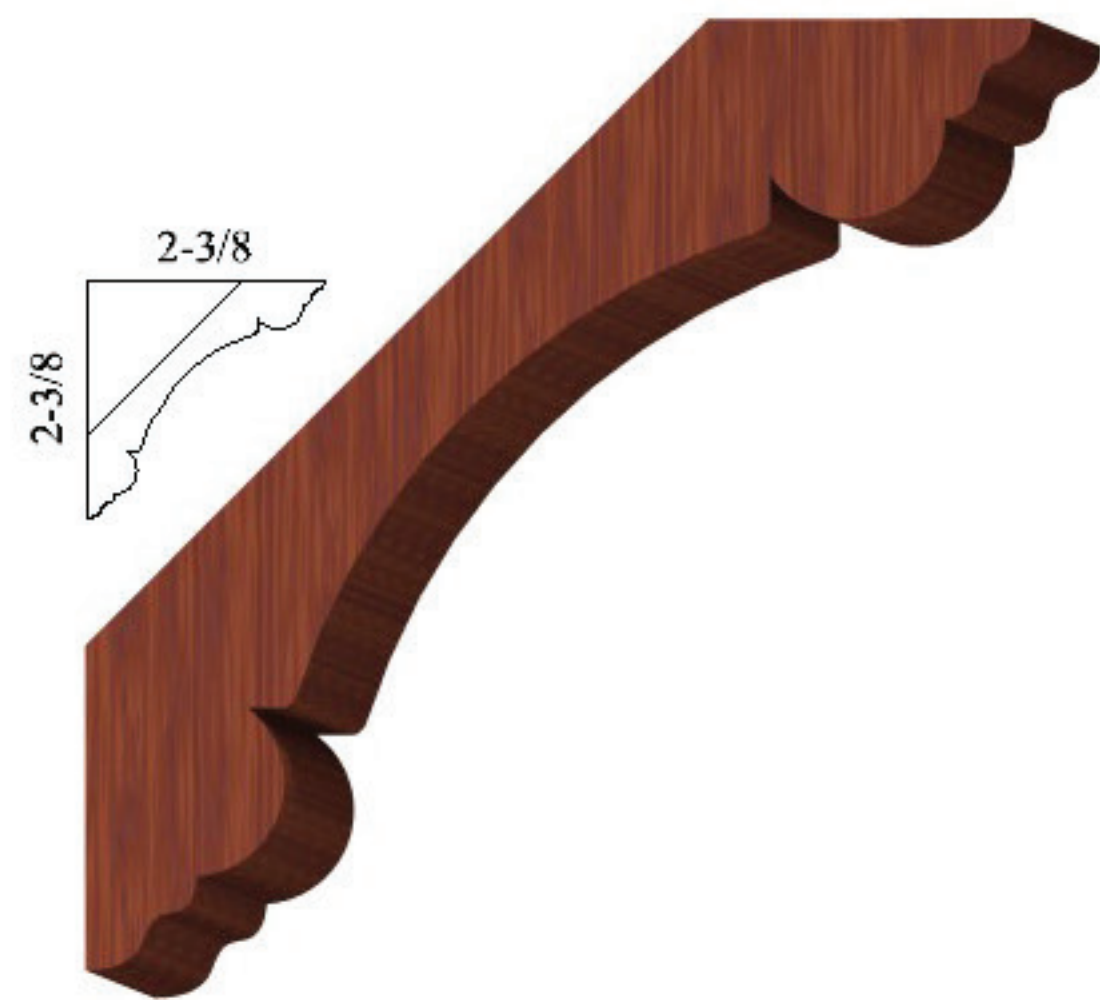
**CR130**  
1-1/4 x 6-5/8



**CR173**  
1-1/2 x 4-5/8

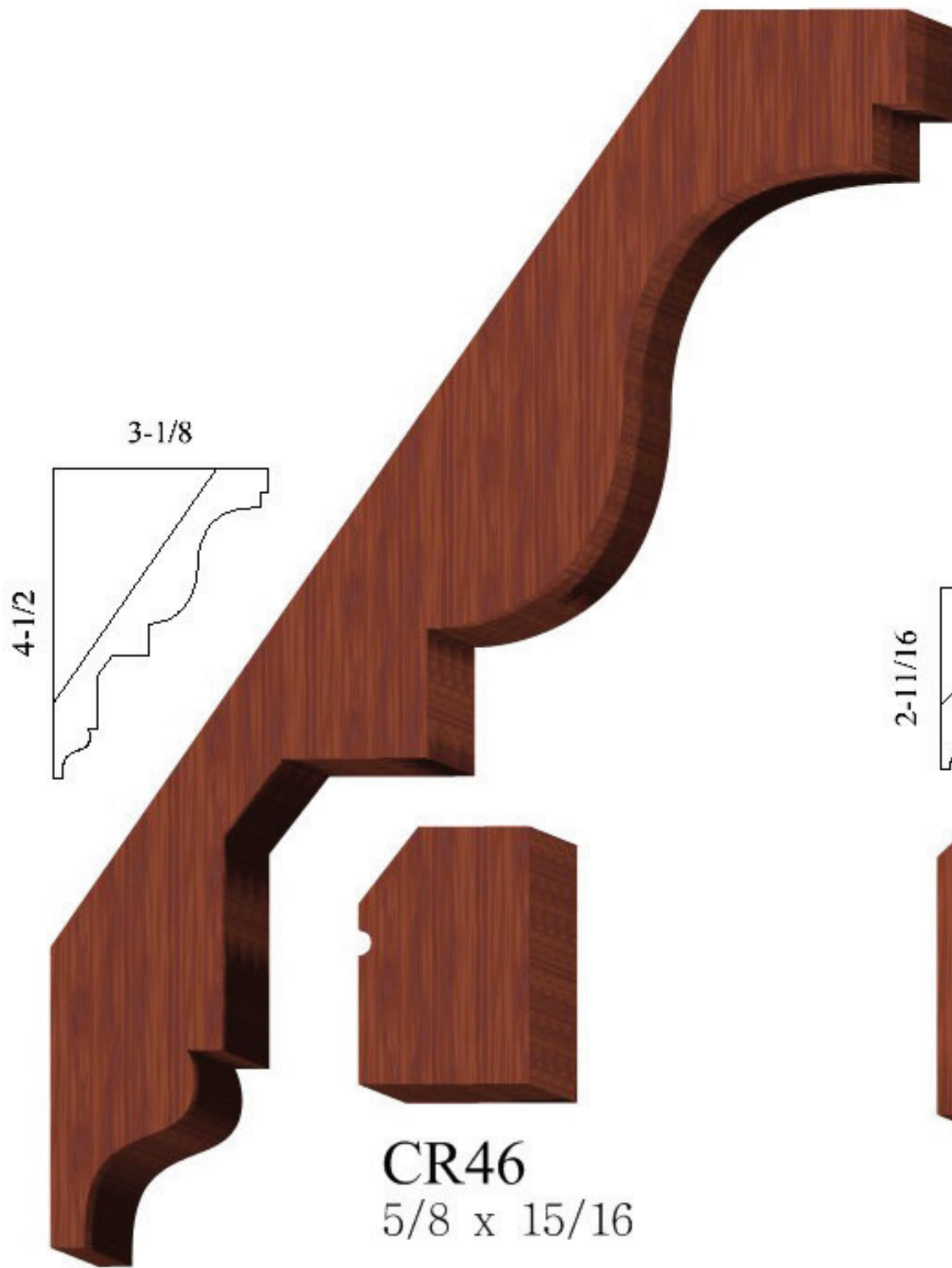


**CR214**  
7/8 x 3-3/8



**CR161**  
11/16 x 3-3/8





**CR03**  
7/8 x 5-1/2

**CR46**  
5/8 x 15/16

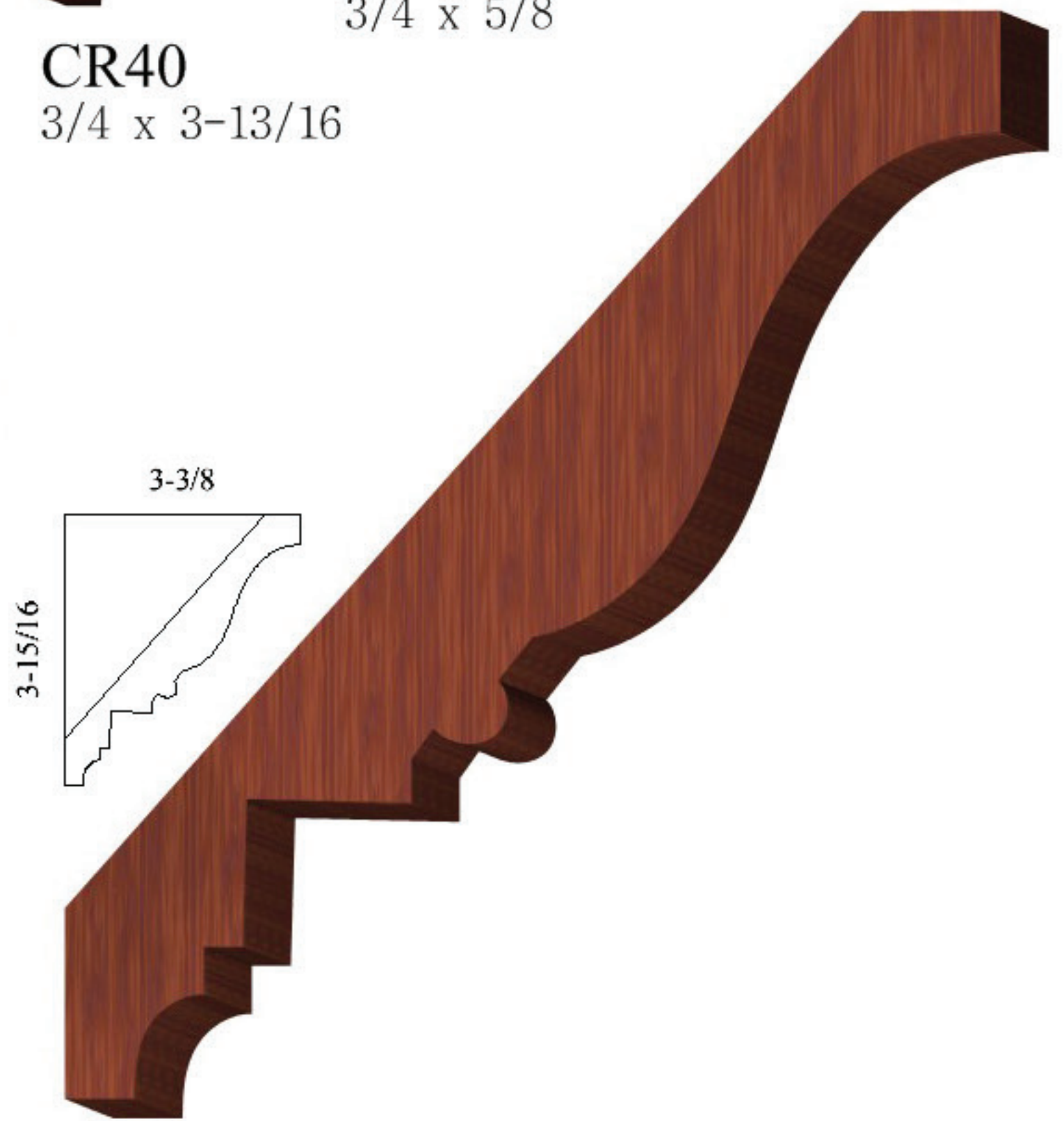


**CR40**  
3/4 x 3-13/16

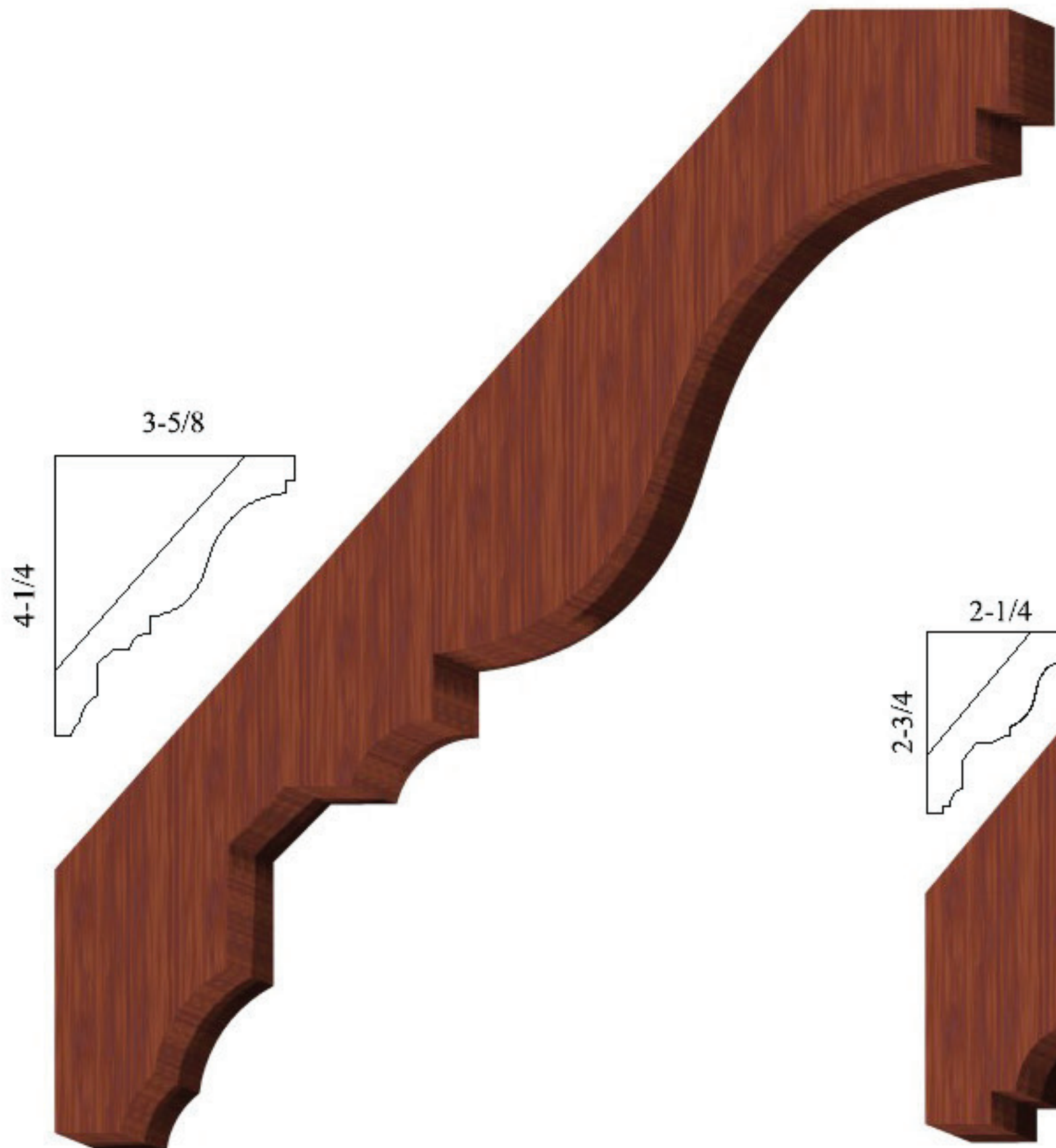
**CR62**  
3/4 x 5/8



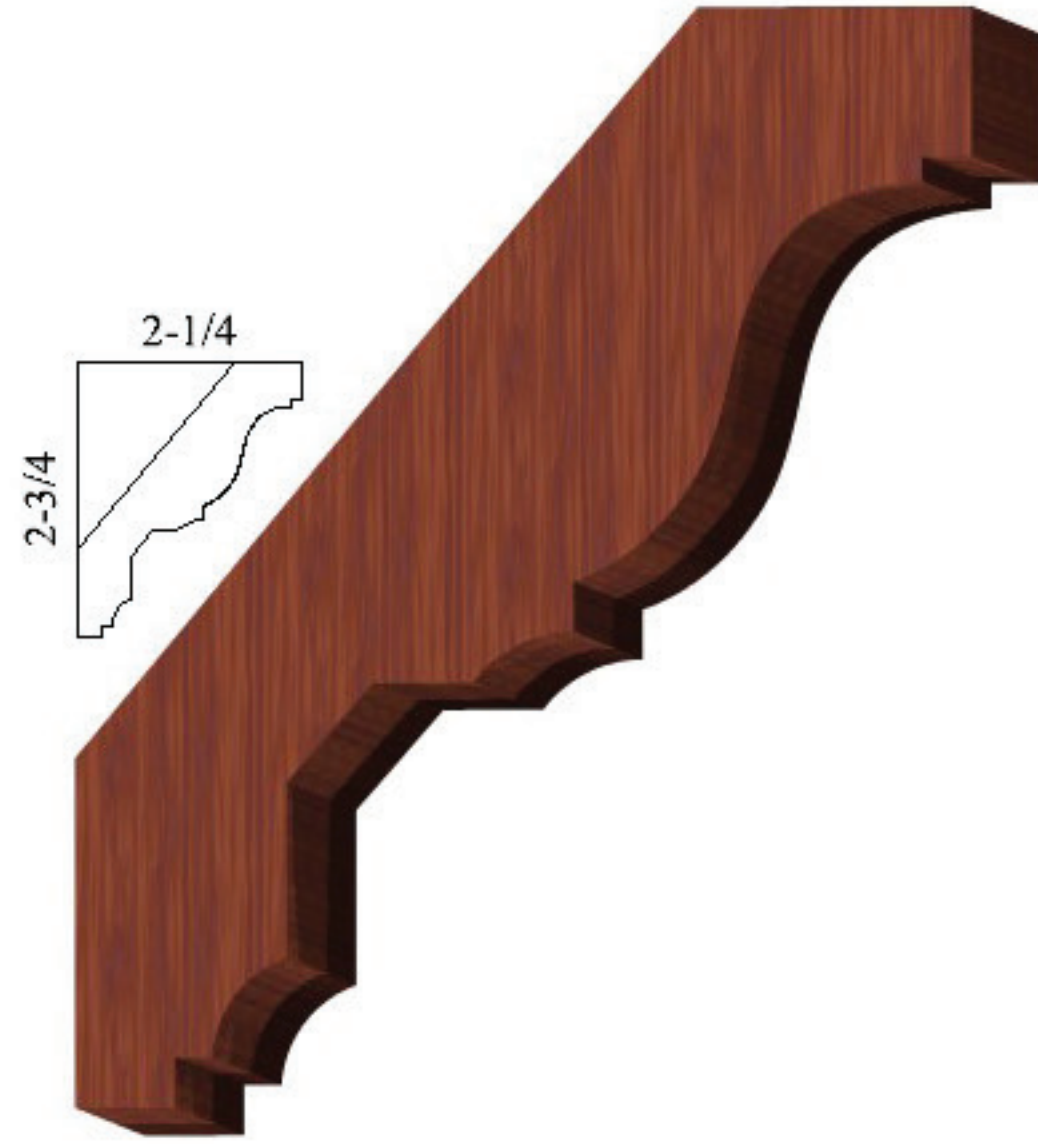
**CR86**  
3/4 x 3-3/4



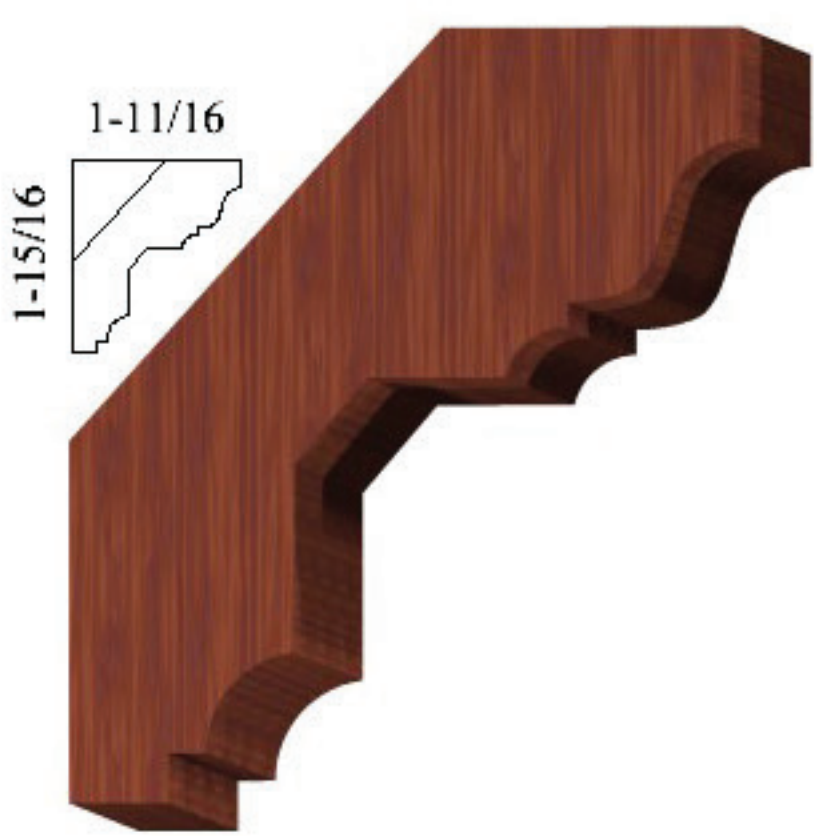
**CR92**  
11/16 x 5-3/16



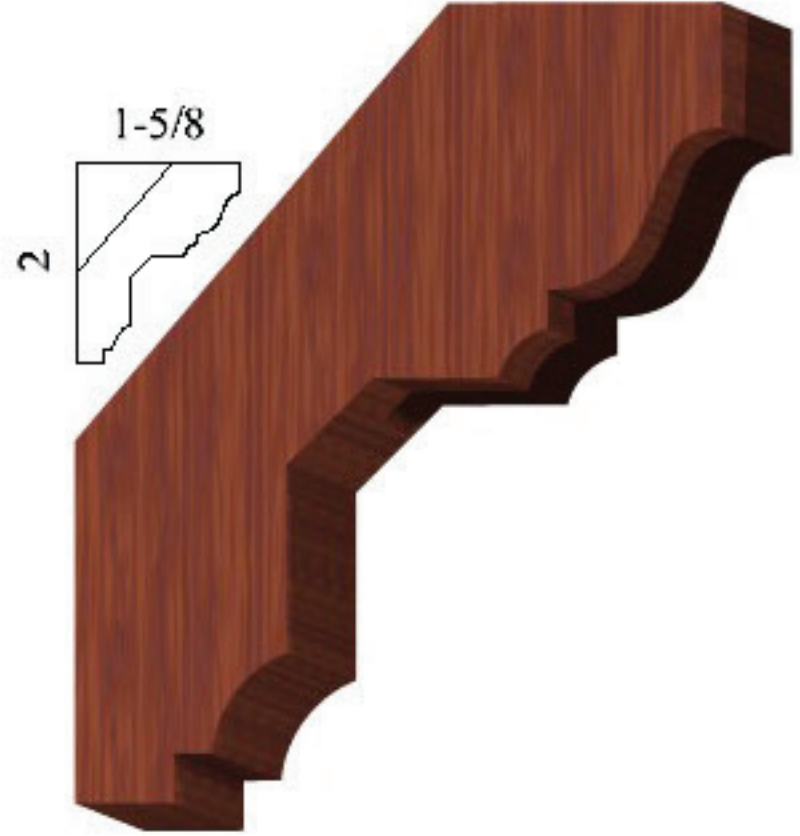
**CR73**  
 $13/16 \times 6$



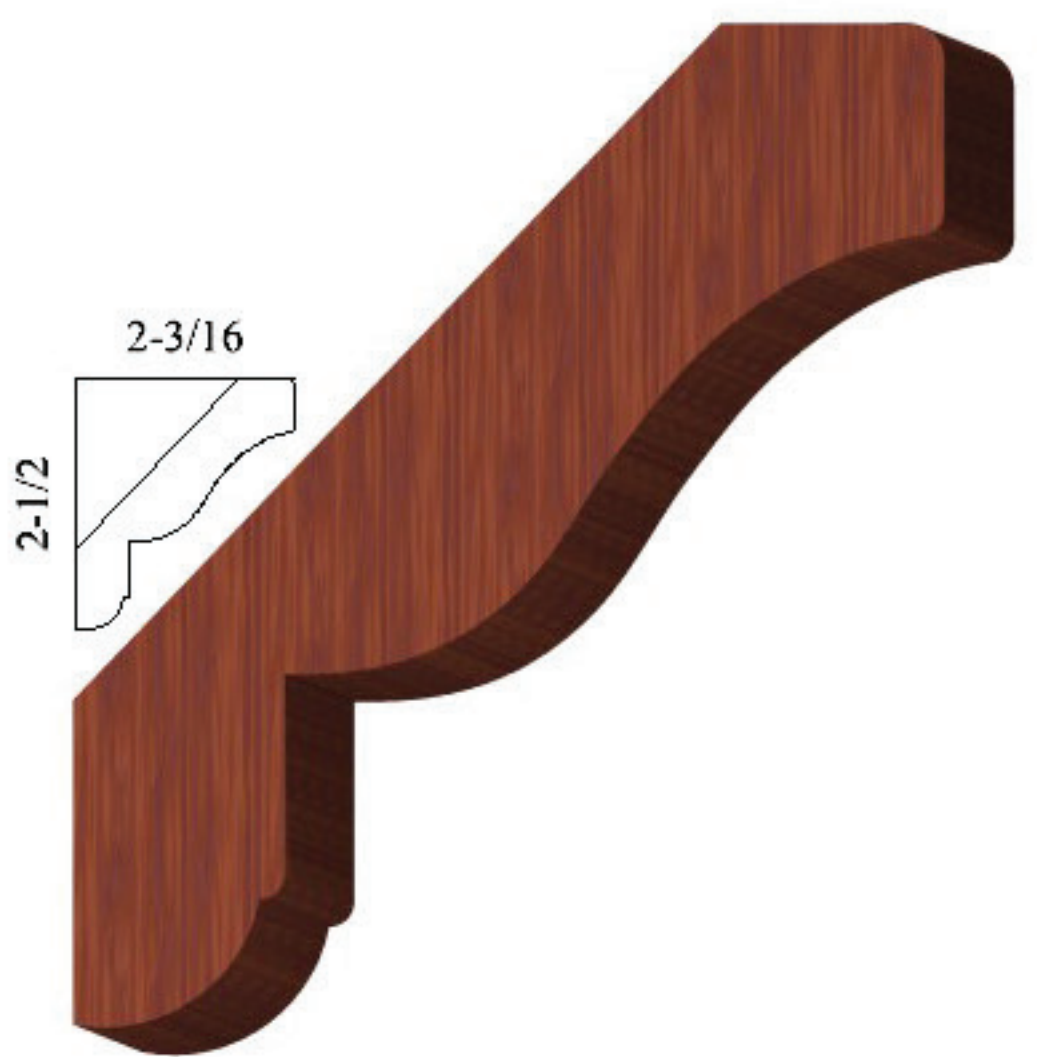
**CR88**  
 $3/4 \times 3\text{-}9/16$



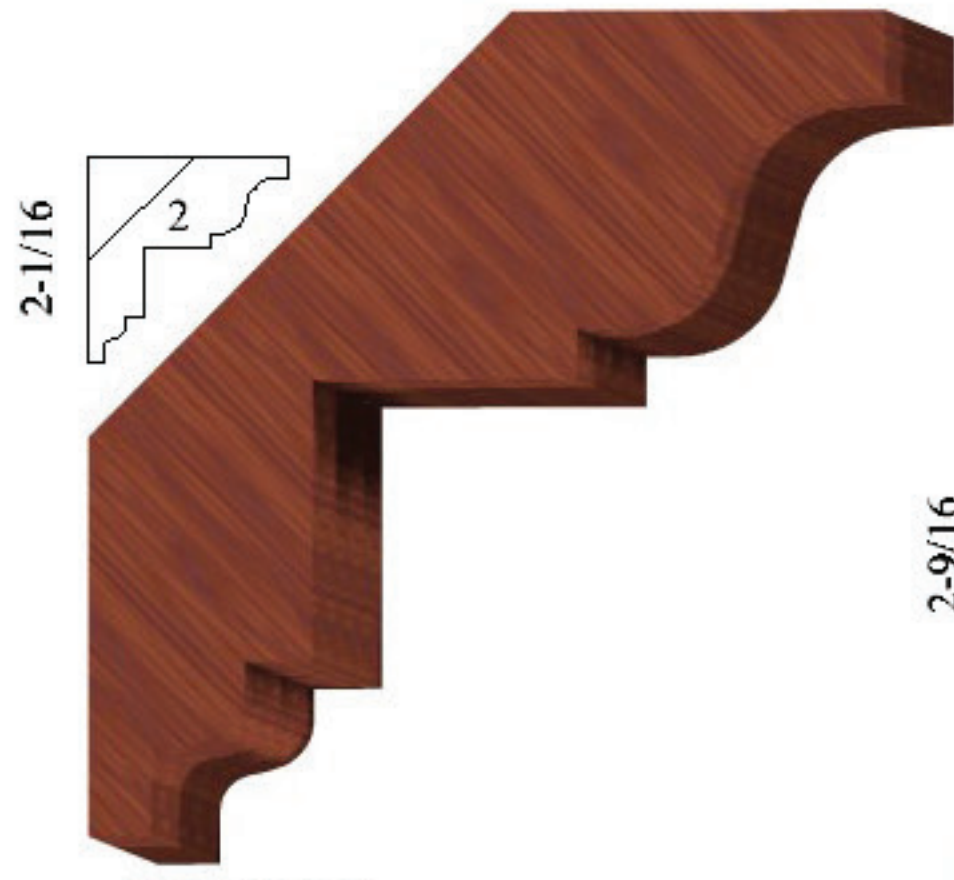
**CR121**  
 $3/4 \times 2\text{-}1/2$



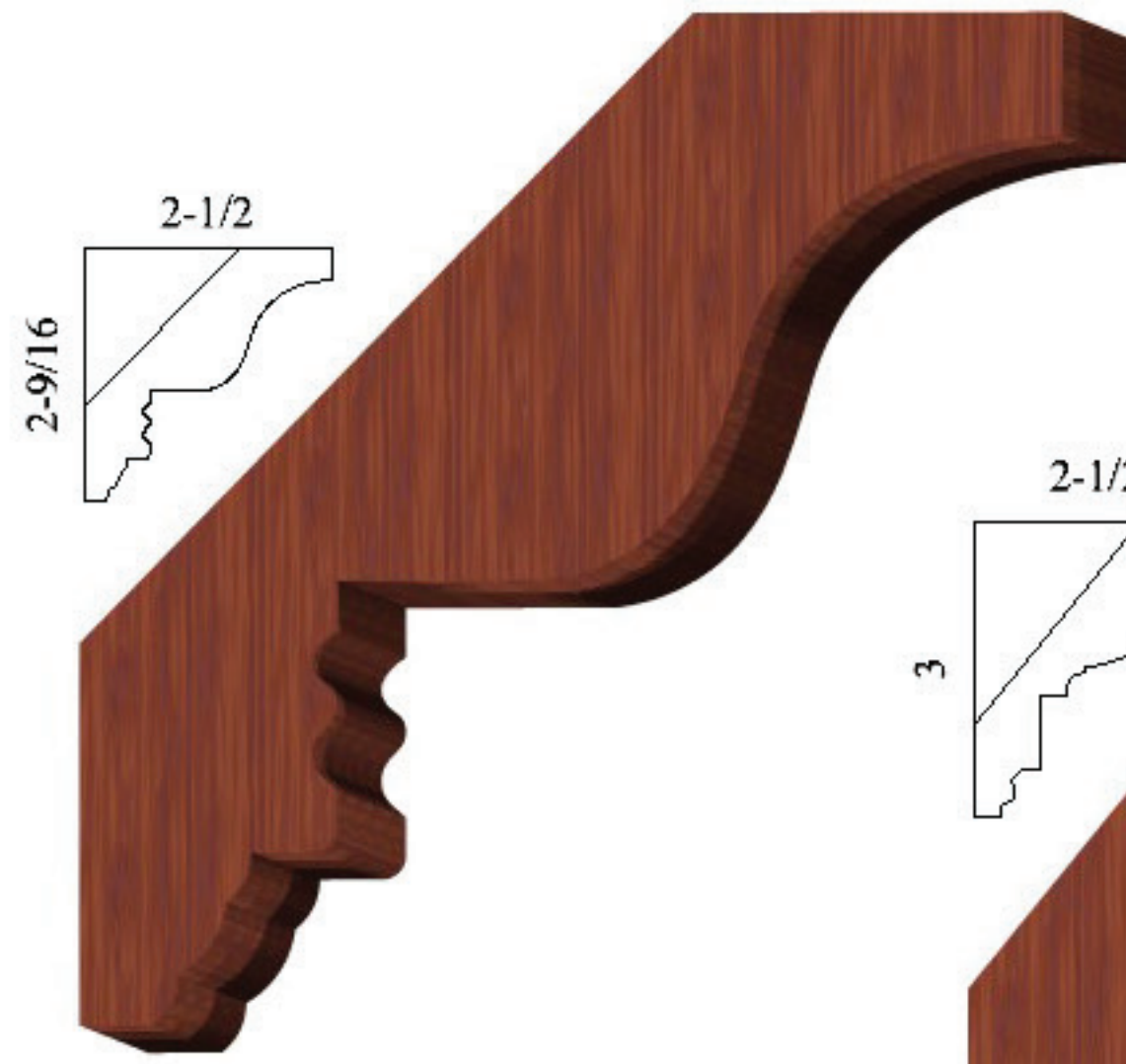
**CR124**  
 $3/4 \times 2\text{-}1/2$



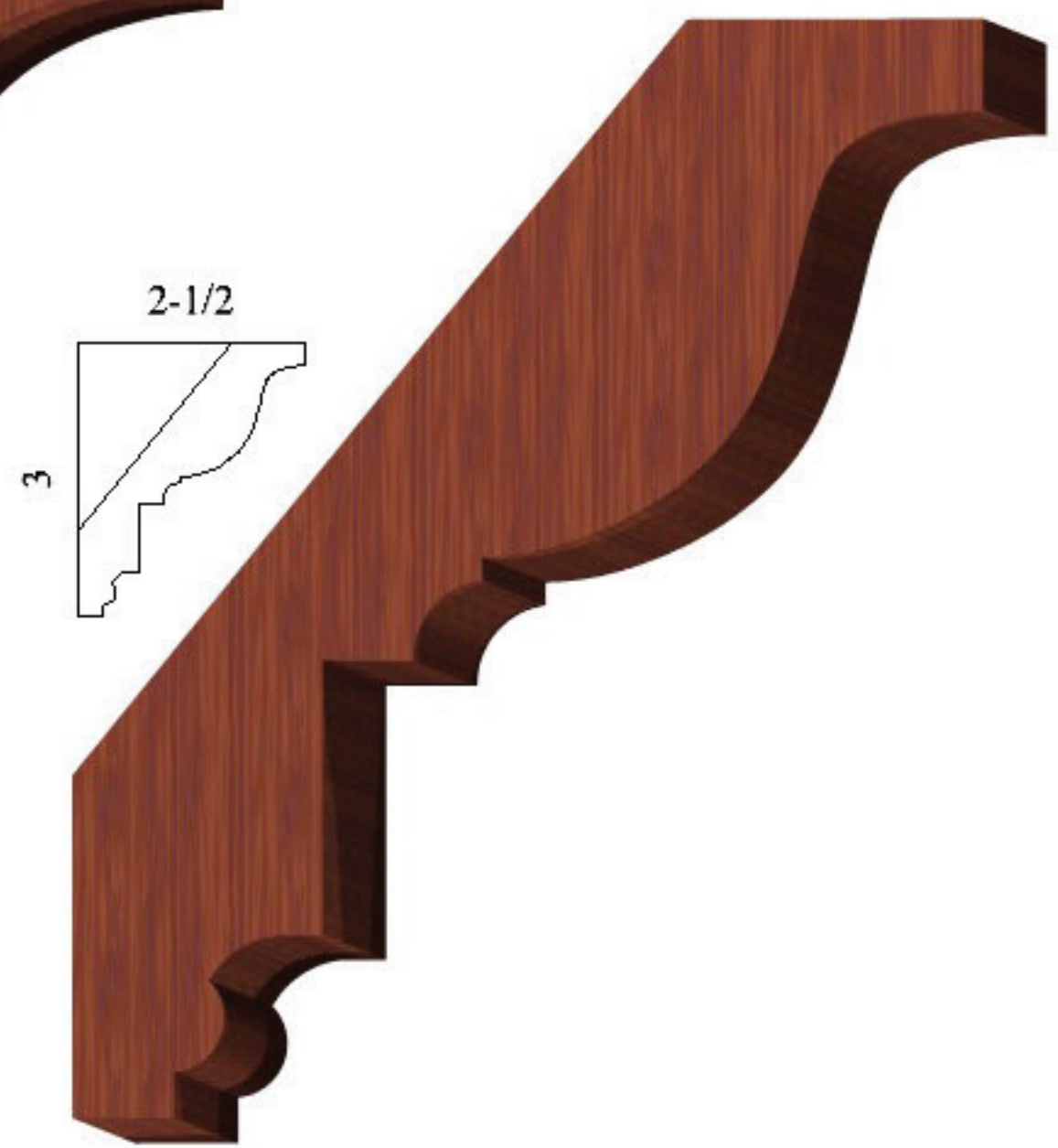
**CR129**  
 $3/4 \times 3\text{-}1/4$



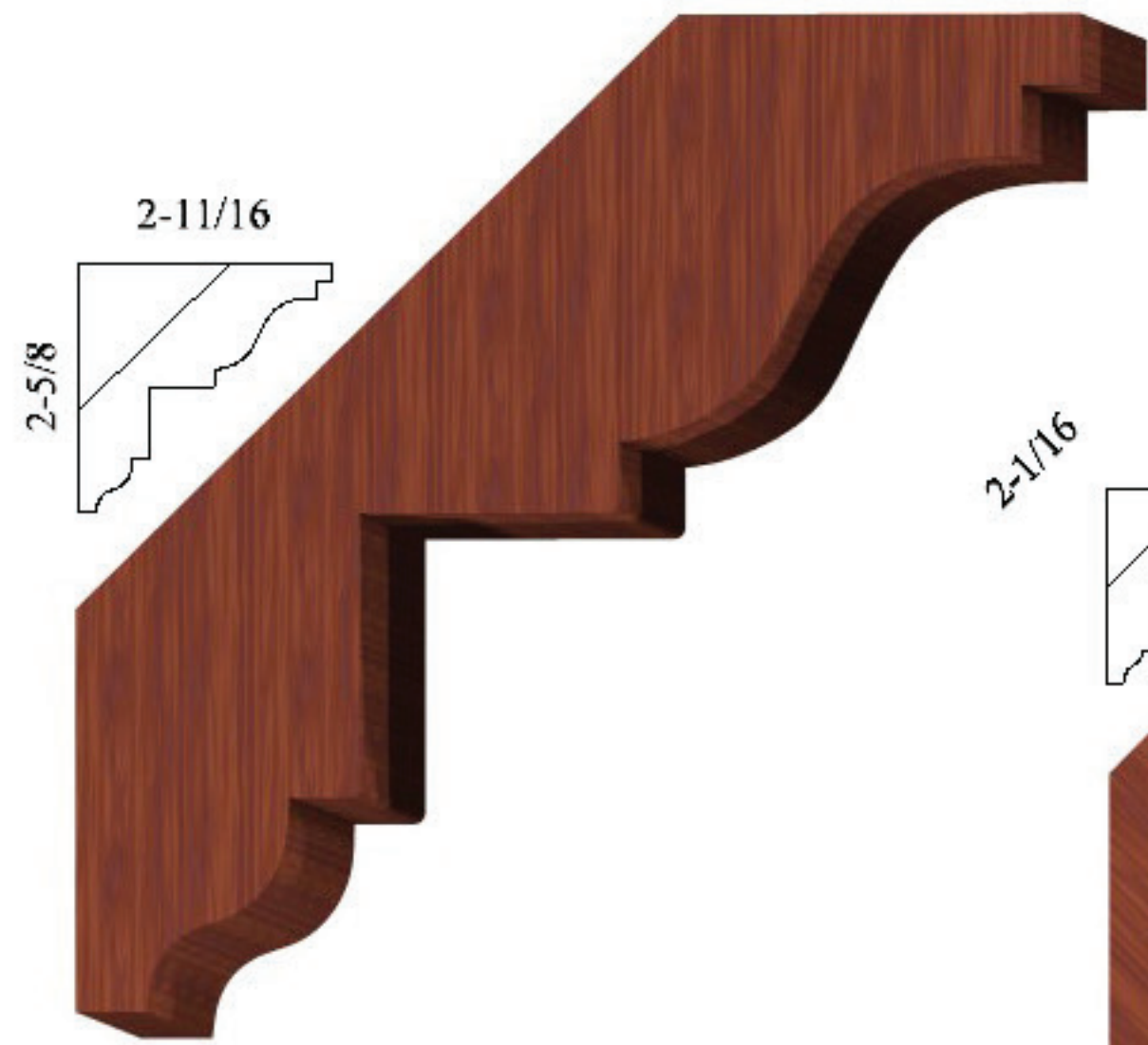
**CR223**  
13/16 x 2-7/8



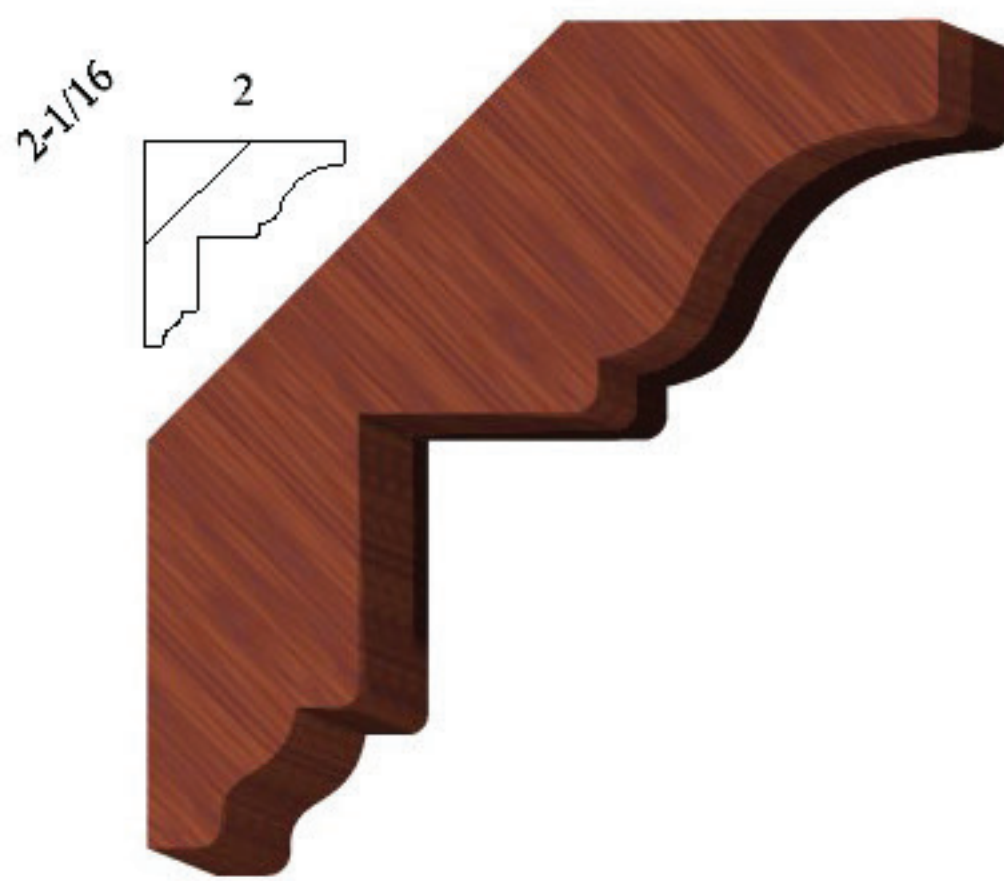
**CR190**  
13/16 x 3-1/2



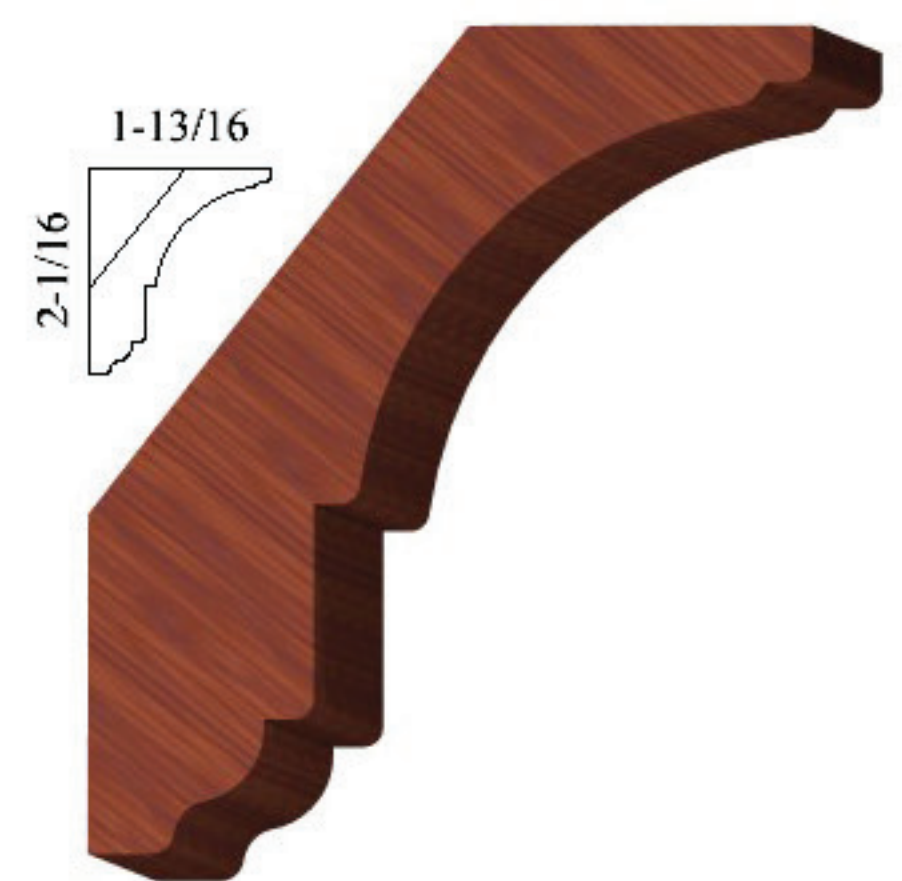
**CR199**  
3 x 4



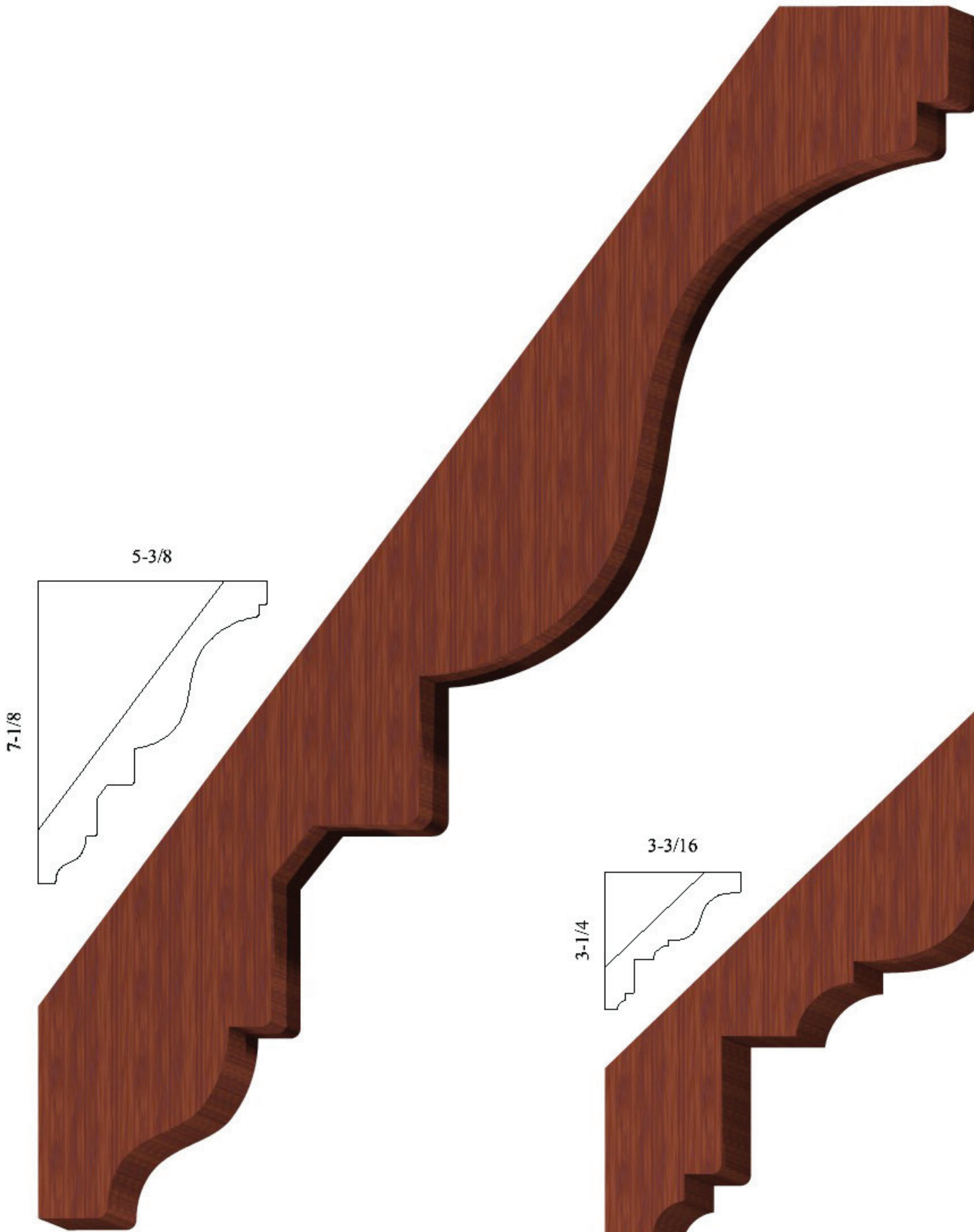
**CR189**  
7/8 x 3-3/4



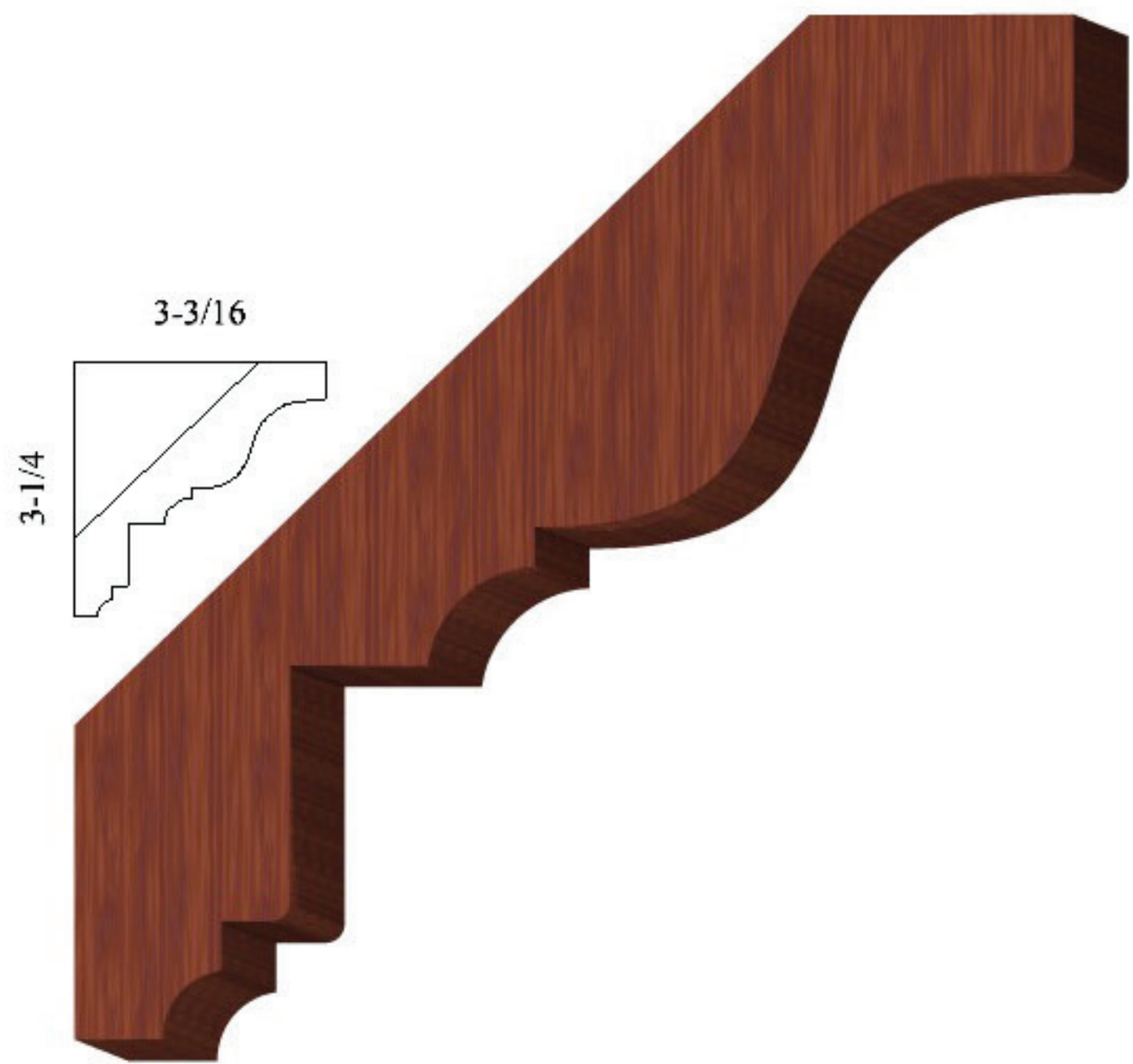
**CR220**  
13/16 x 2-5/8



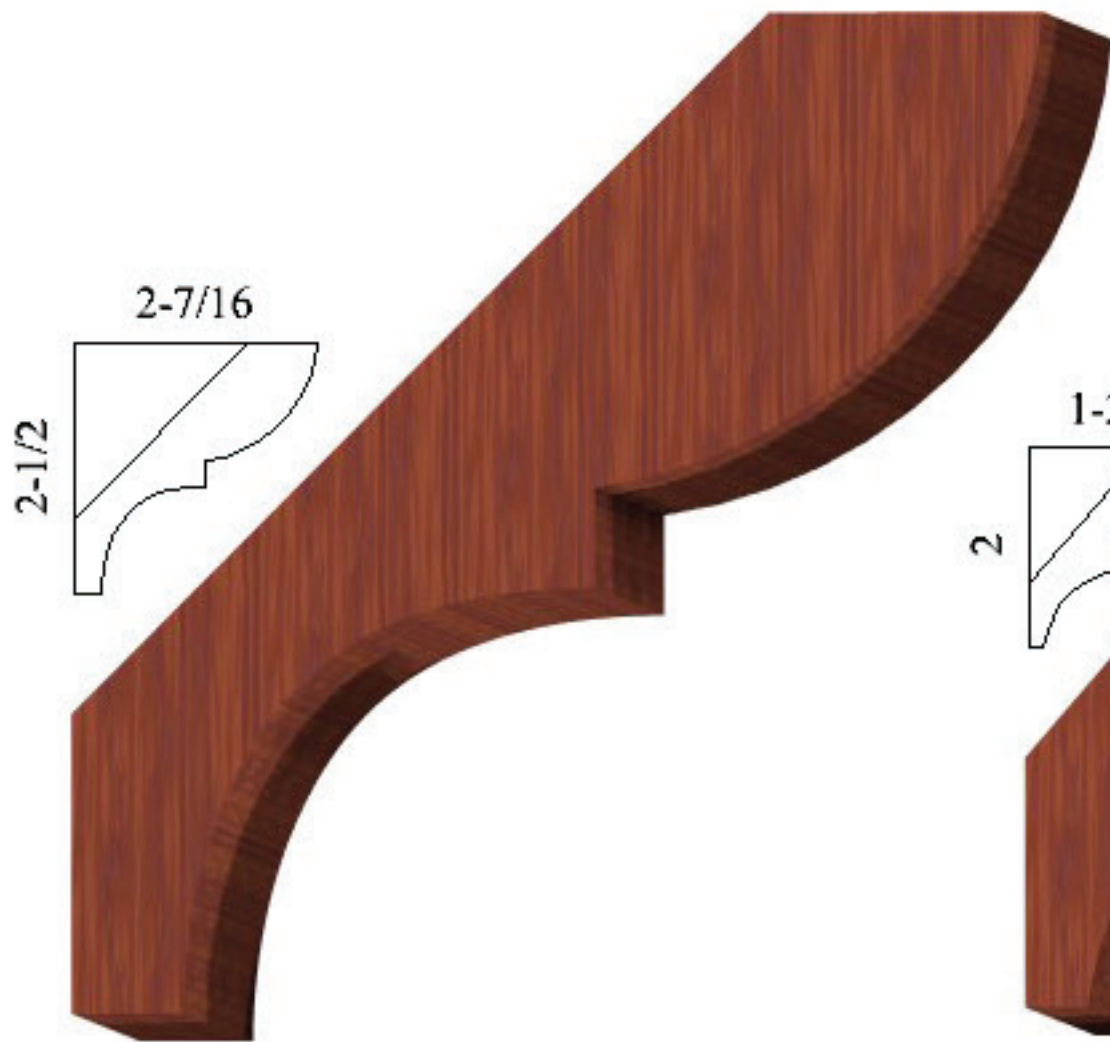
**CR215**  
3/4 x 2-3/4



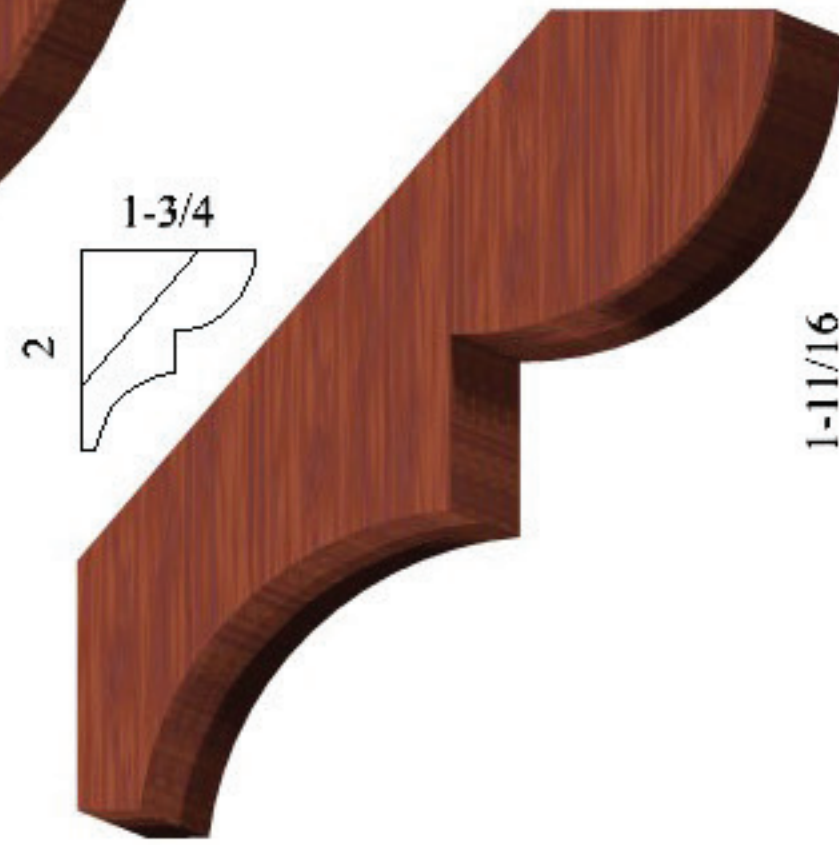
**CR176**  
1-1/8 x 8-1/8



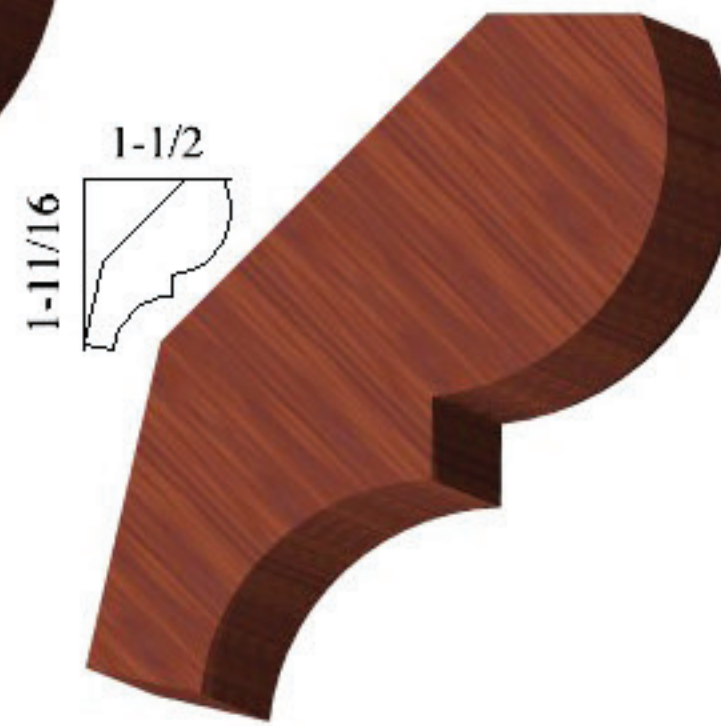
**CR193**  
7/8 x 4-1/4



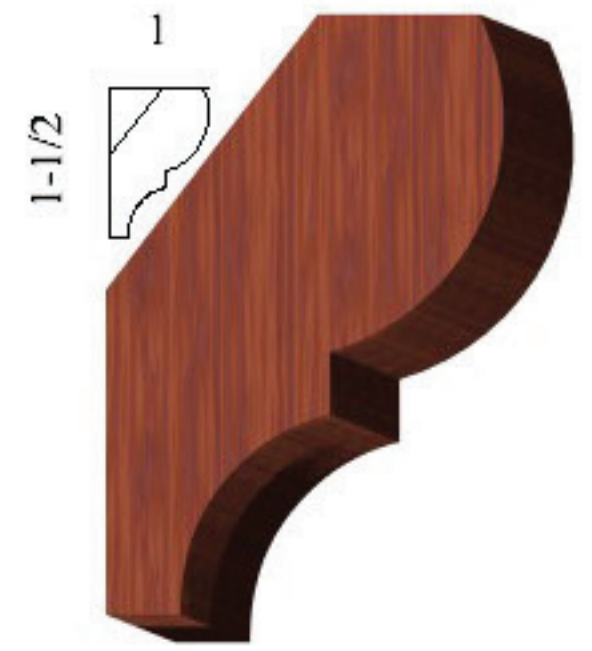
**CR45**  
3/4 x 3-1/2



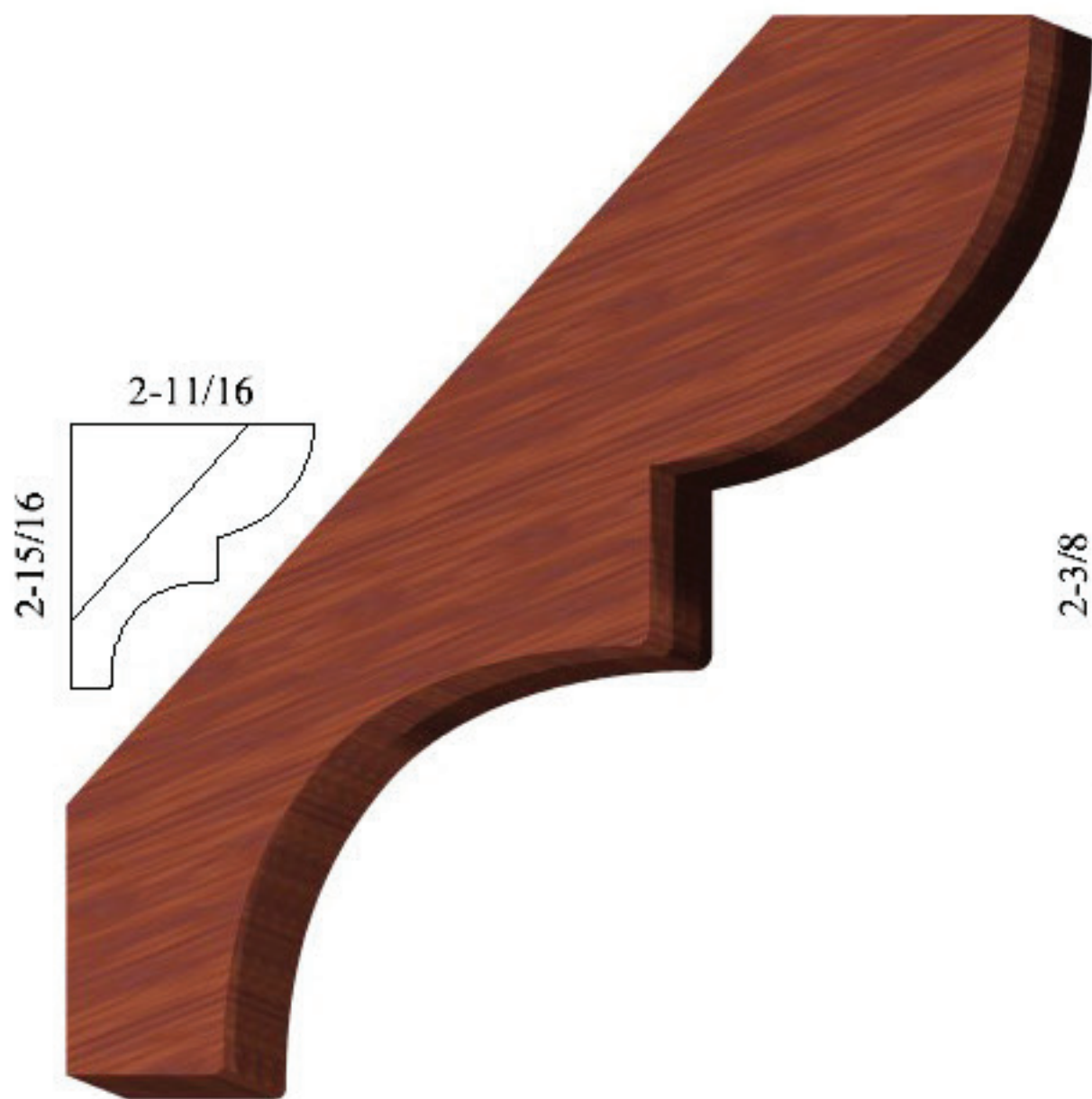
**CR48**  
5/8 x 2-5/8



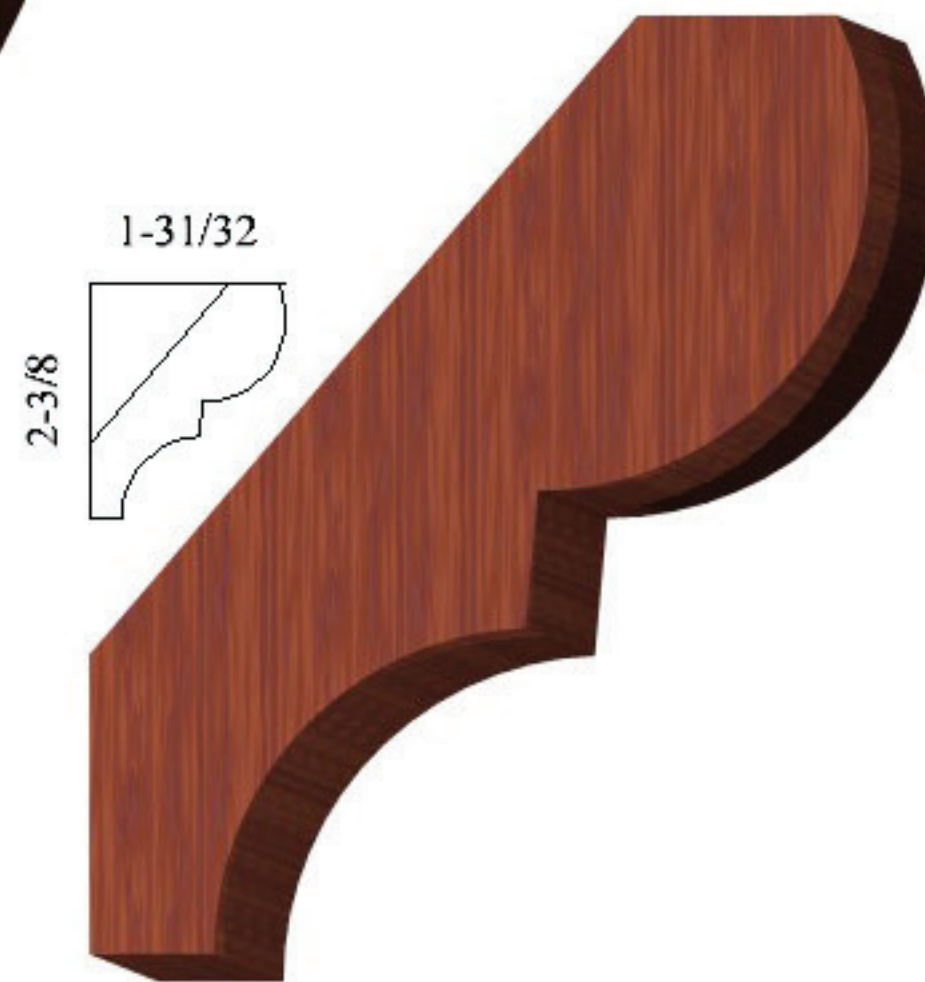
**CR219**  
3/4 x 2-1/8



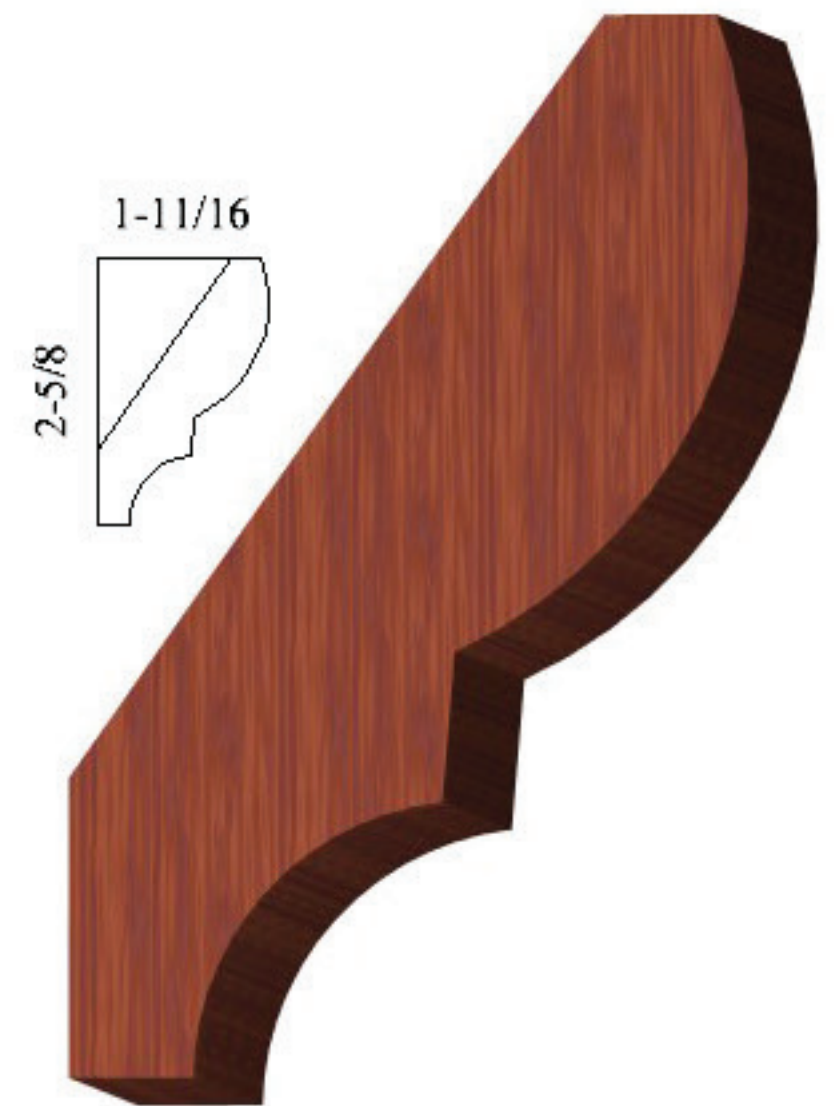
**CR49**  
9/16 x 1-13/16



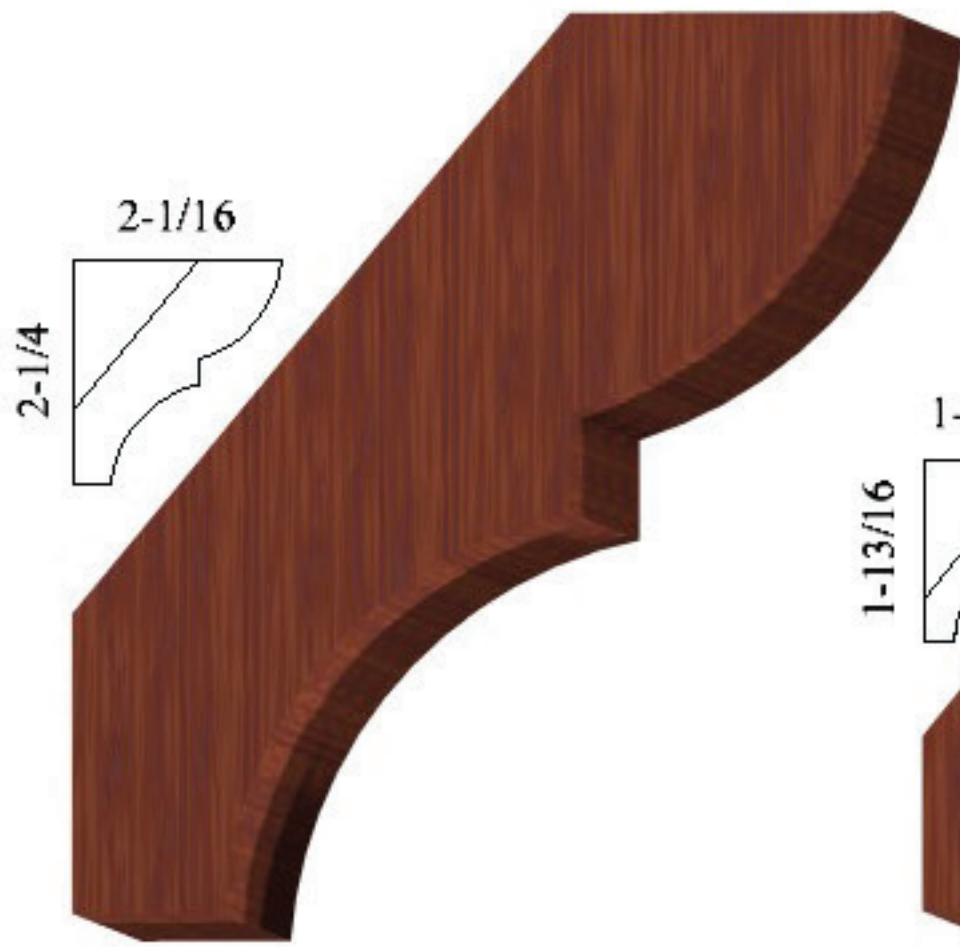
**CR123**  
13/16 x 3-15/16



**CR115**  
1-3/16 x 3



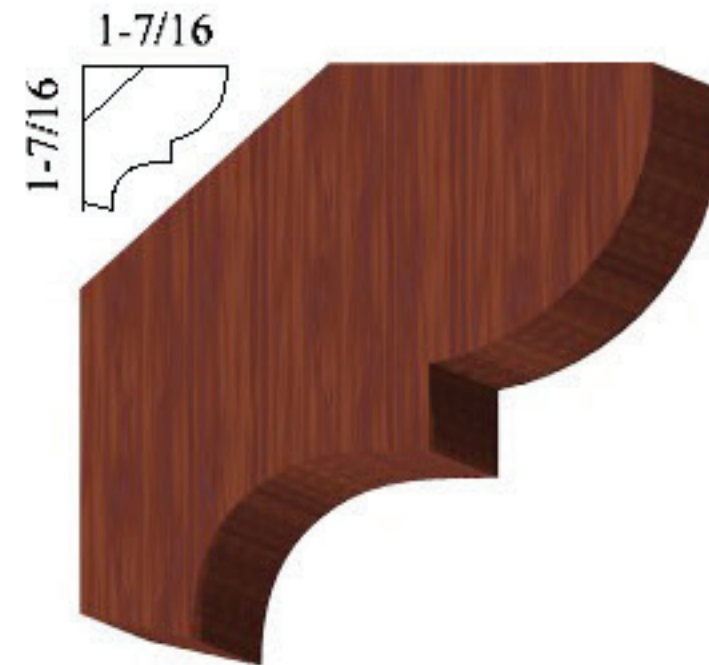
**CR128**  
3/4 x 3-1/4



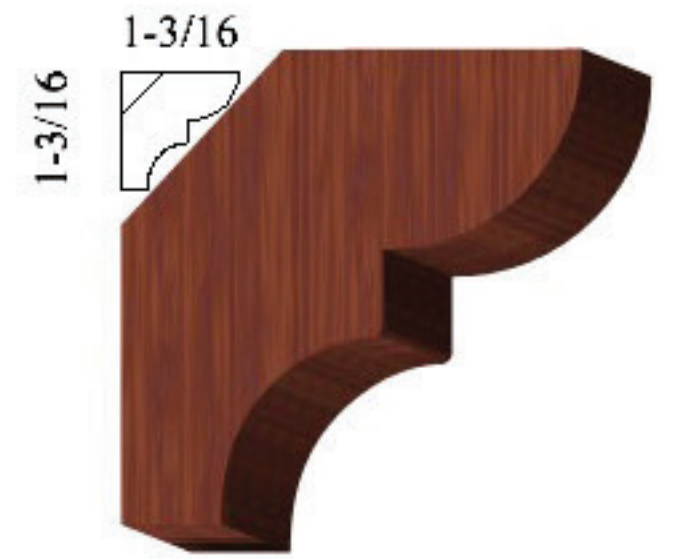
**CR148**  
13/16 x 3-1/16



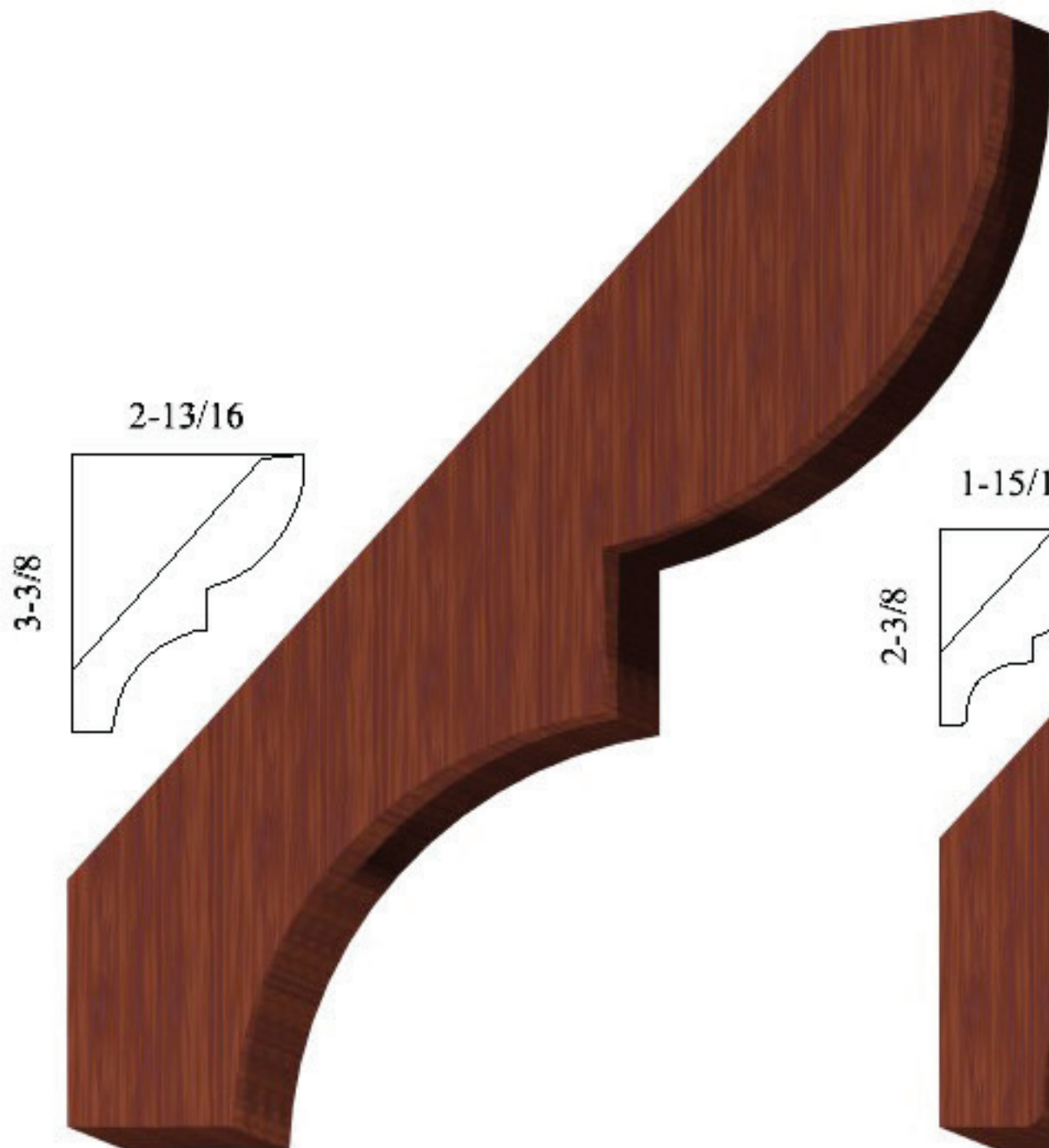
**CR55**  
1/2 x 2-1/4



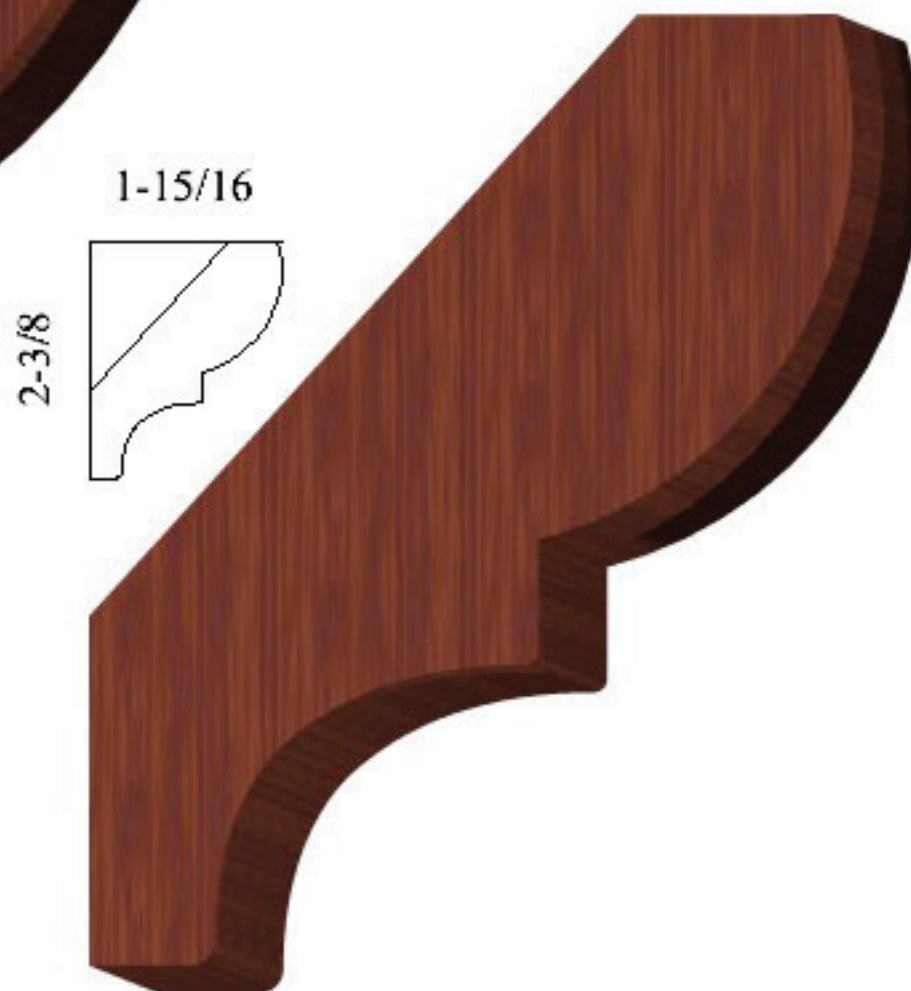
**CR74**  
7/8 x 1-7/16



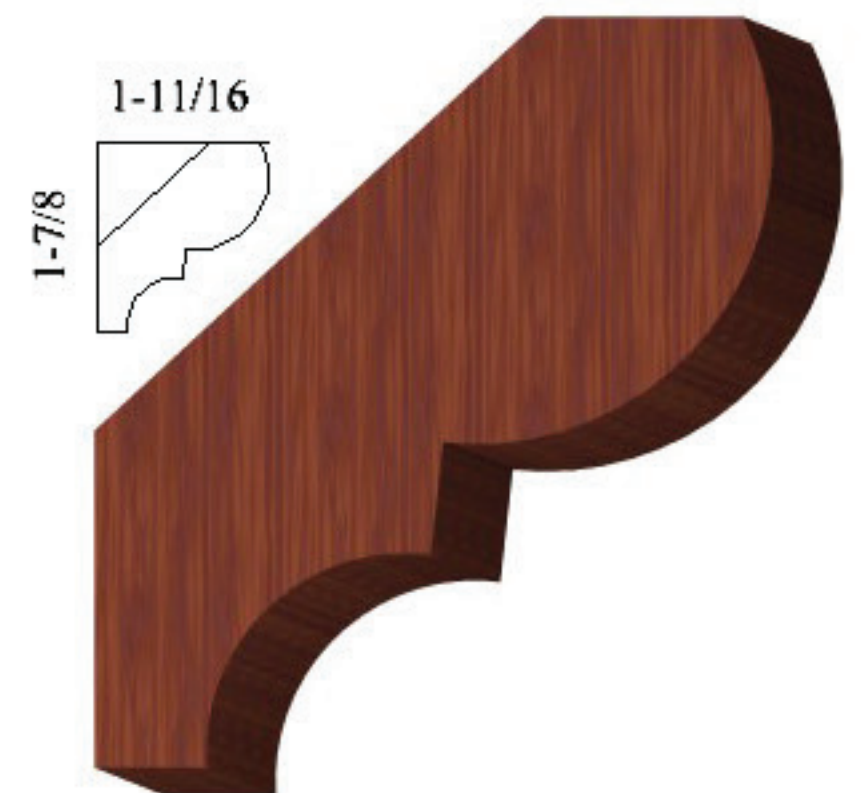
**CR65**  
3/4 x 1-11/16



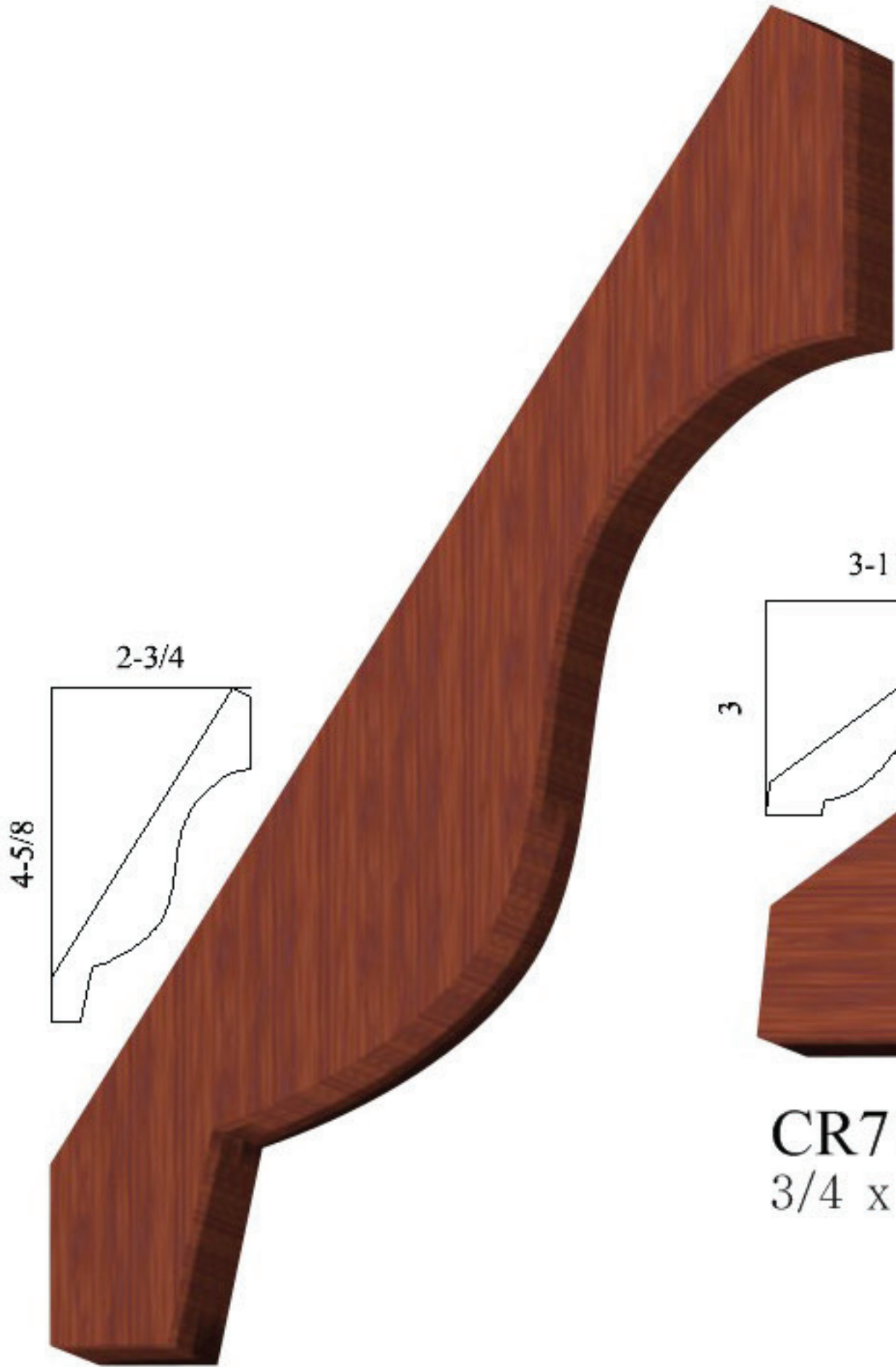
**CR207**  
7/8 x 4-7/16



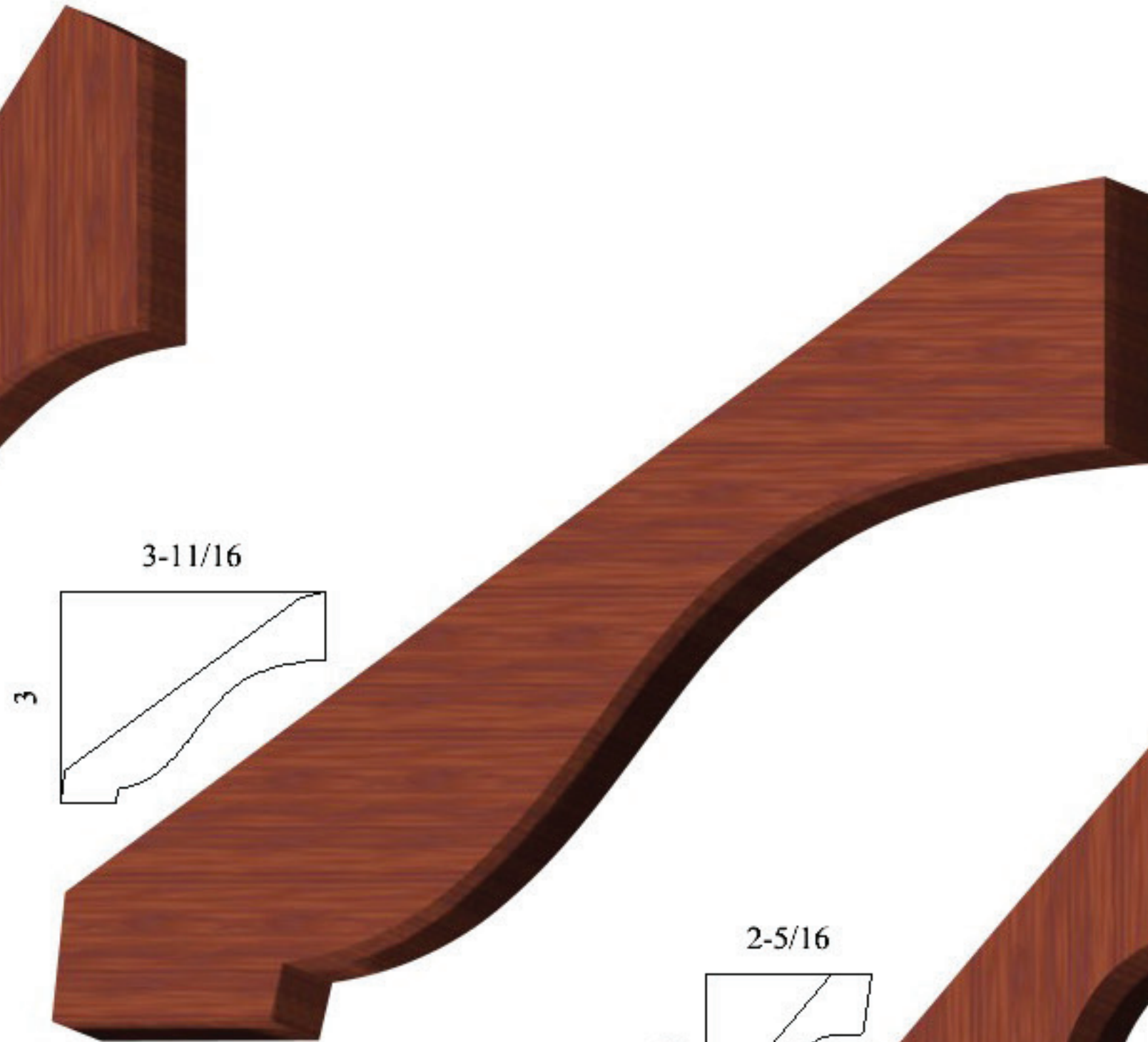
**CR117**  
13/16 x 3



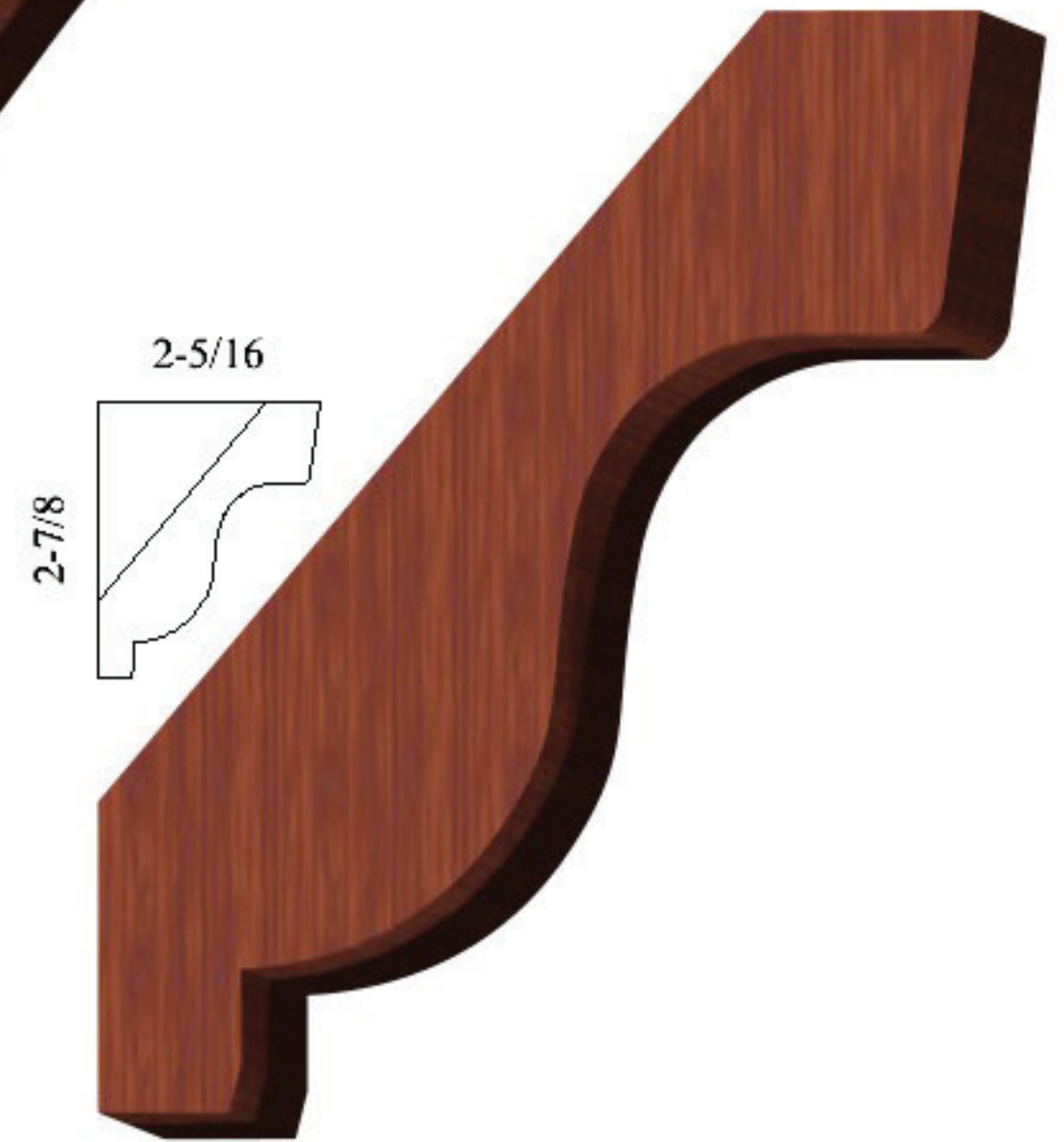
**CR152**  
7/8 x 2-1/4



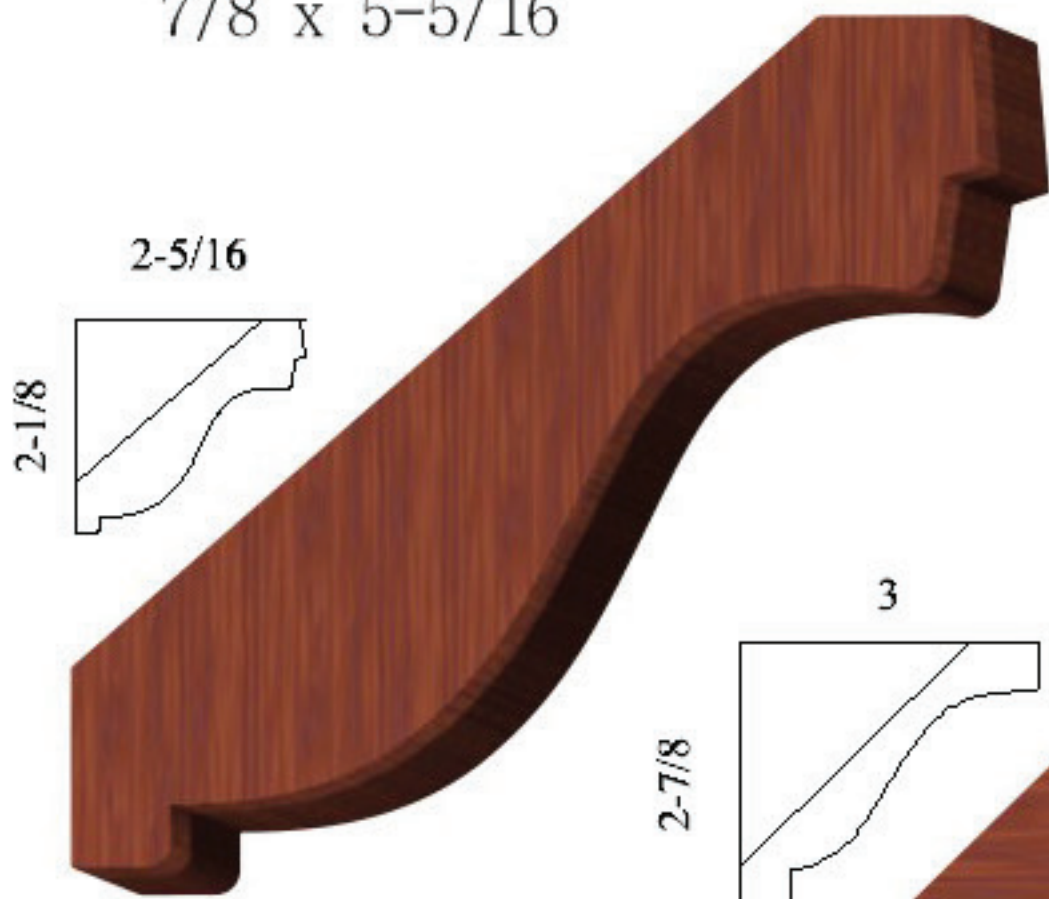
**CR34**  
7/8 x 5-5/16



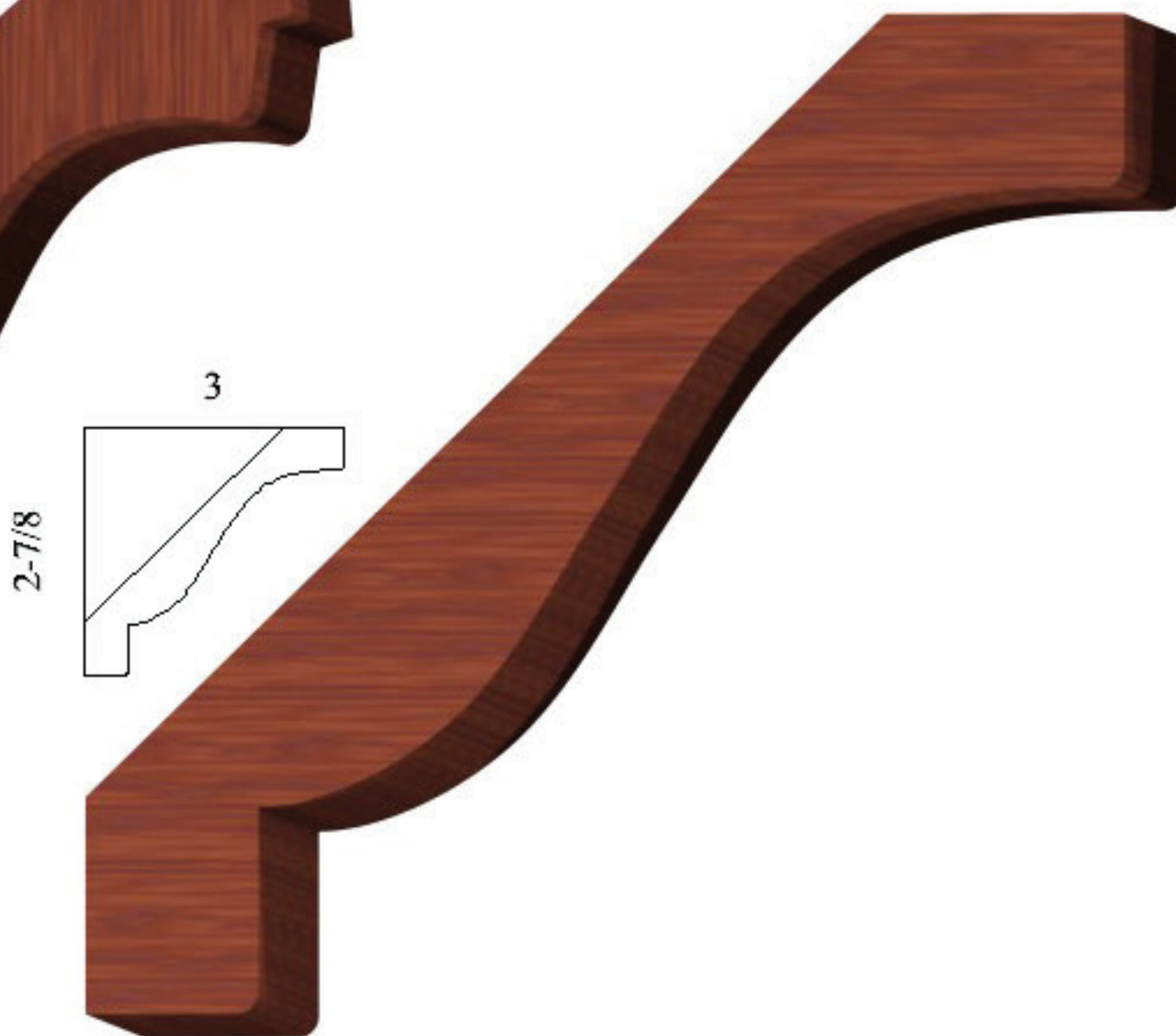
**CR71**  
3/4 x 4-3/4



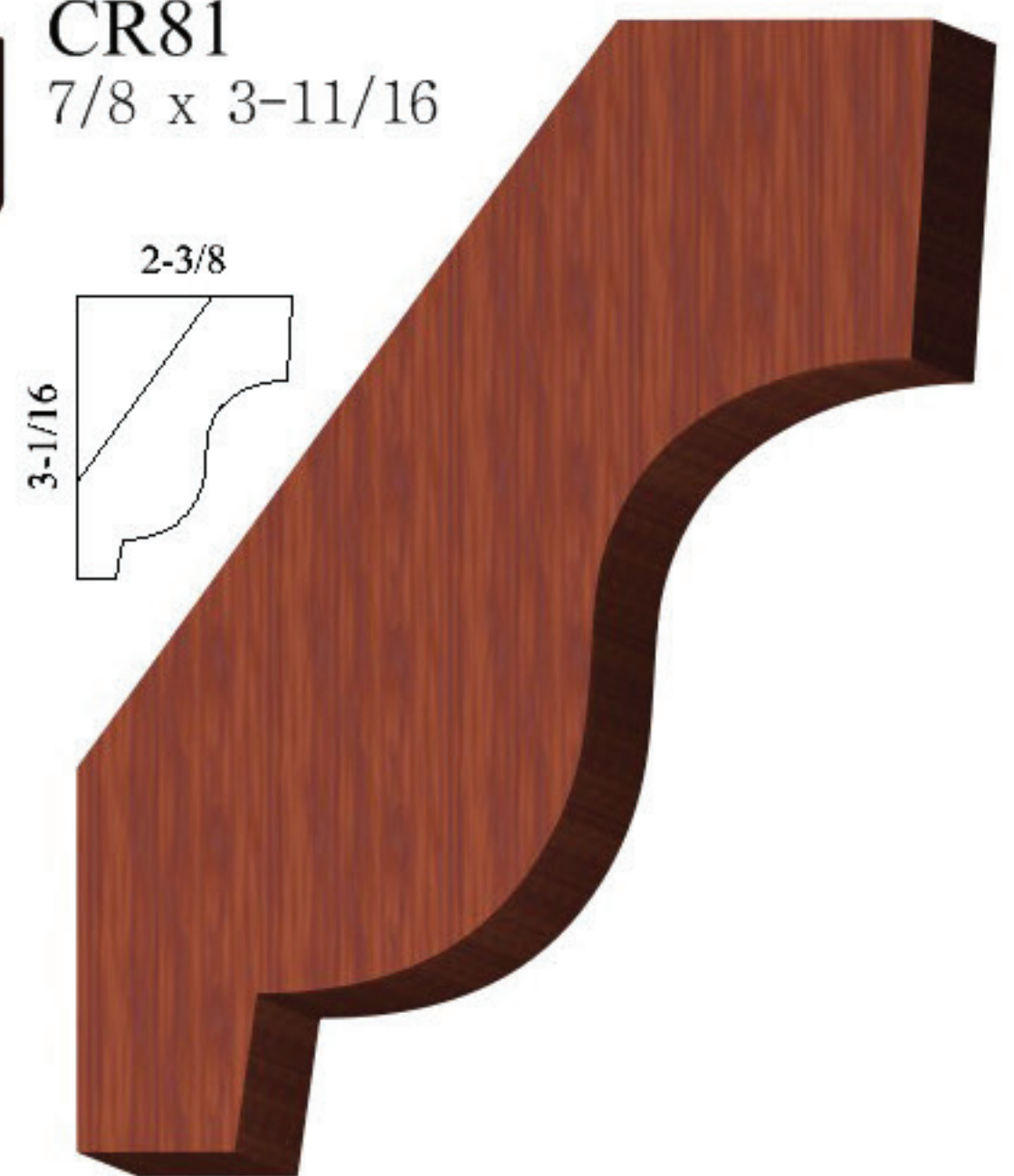
**CR81**  
7/8 x 3-11/16



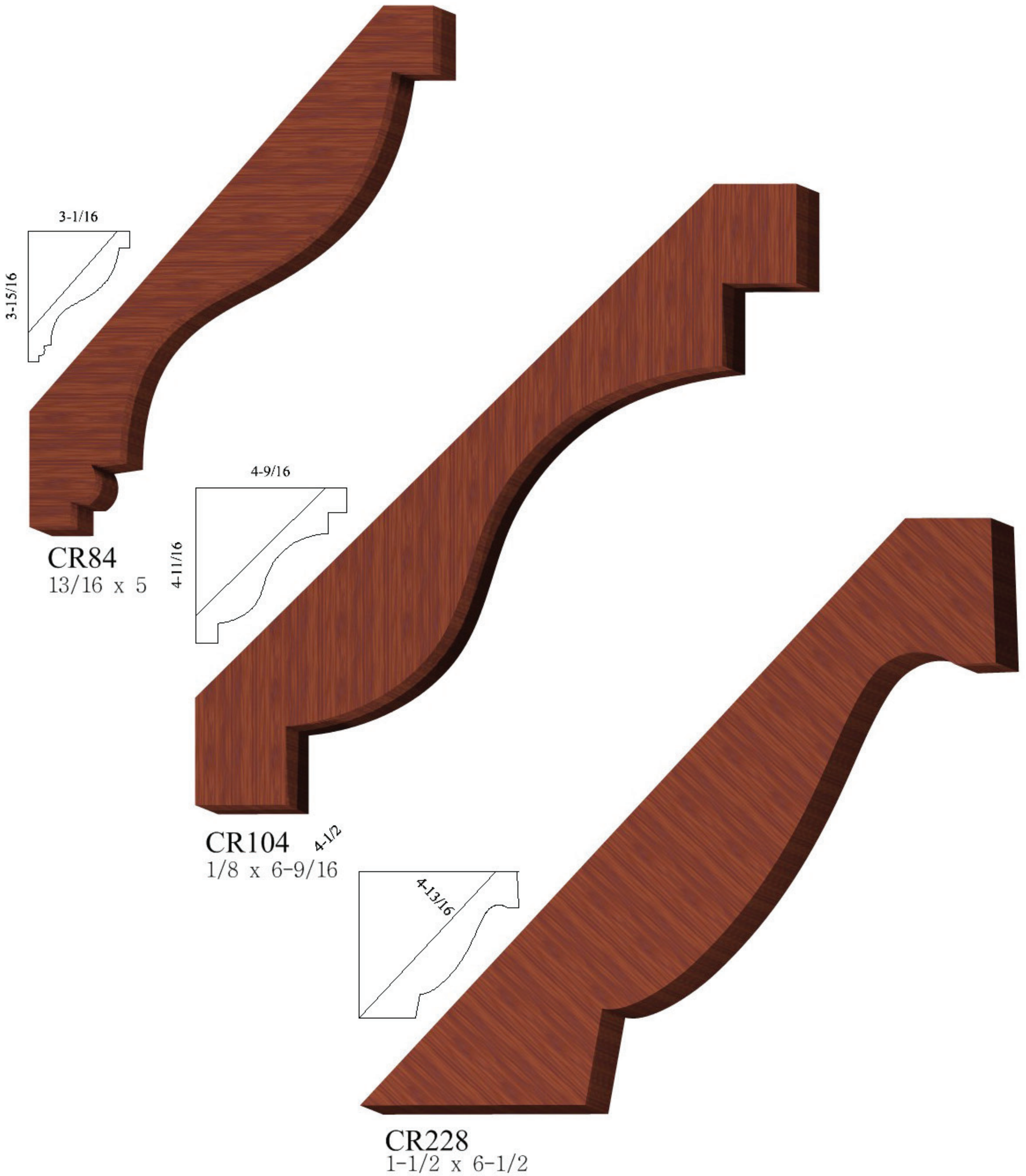
**CR96**  
5/8 x 3-1/8



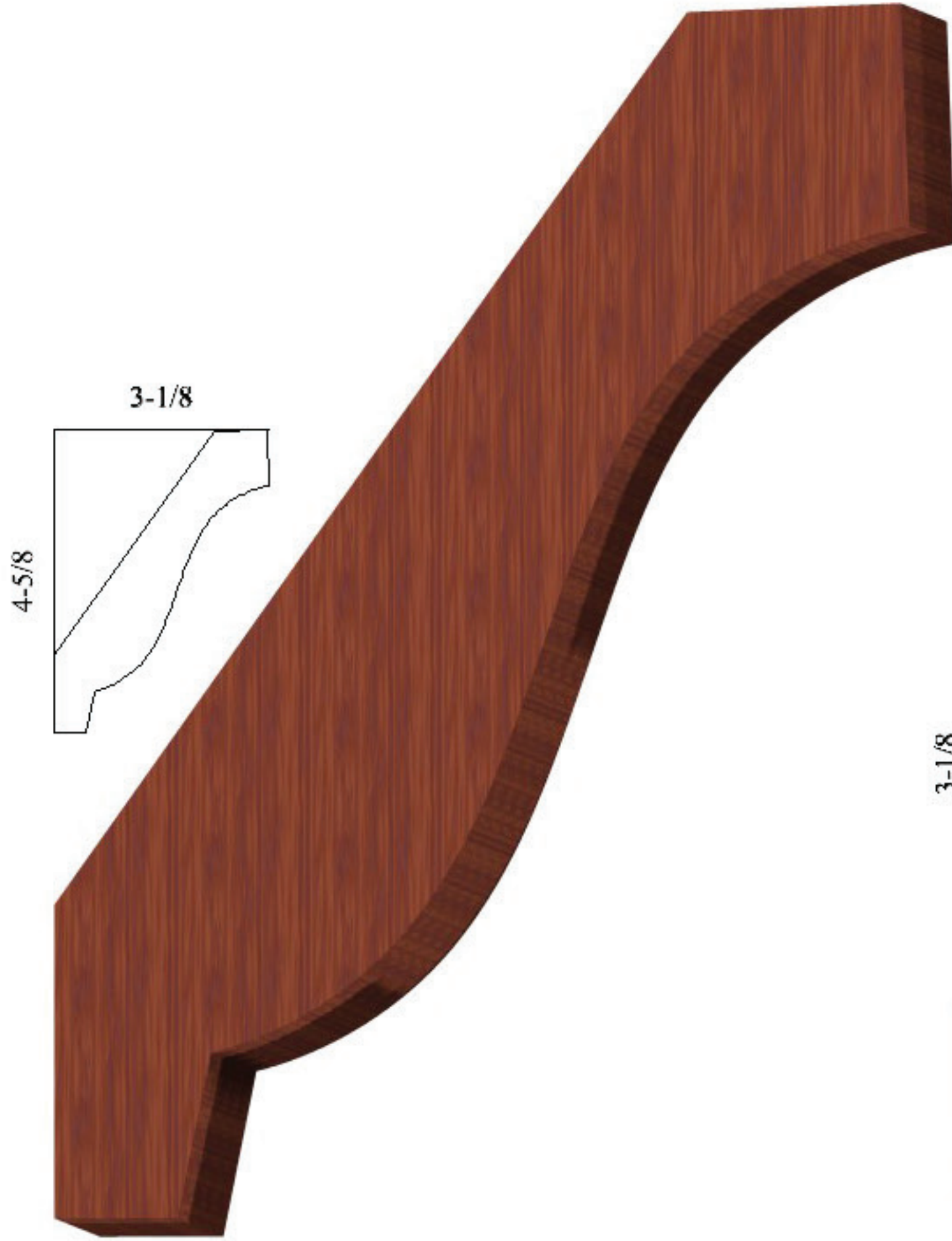
**CR93**  
9/16 x 4-3/16



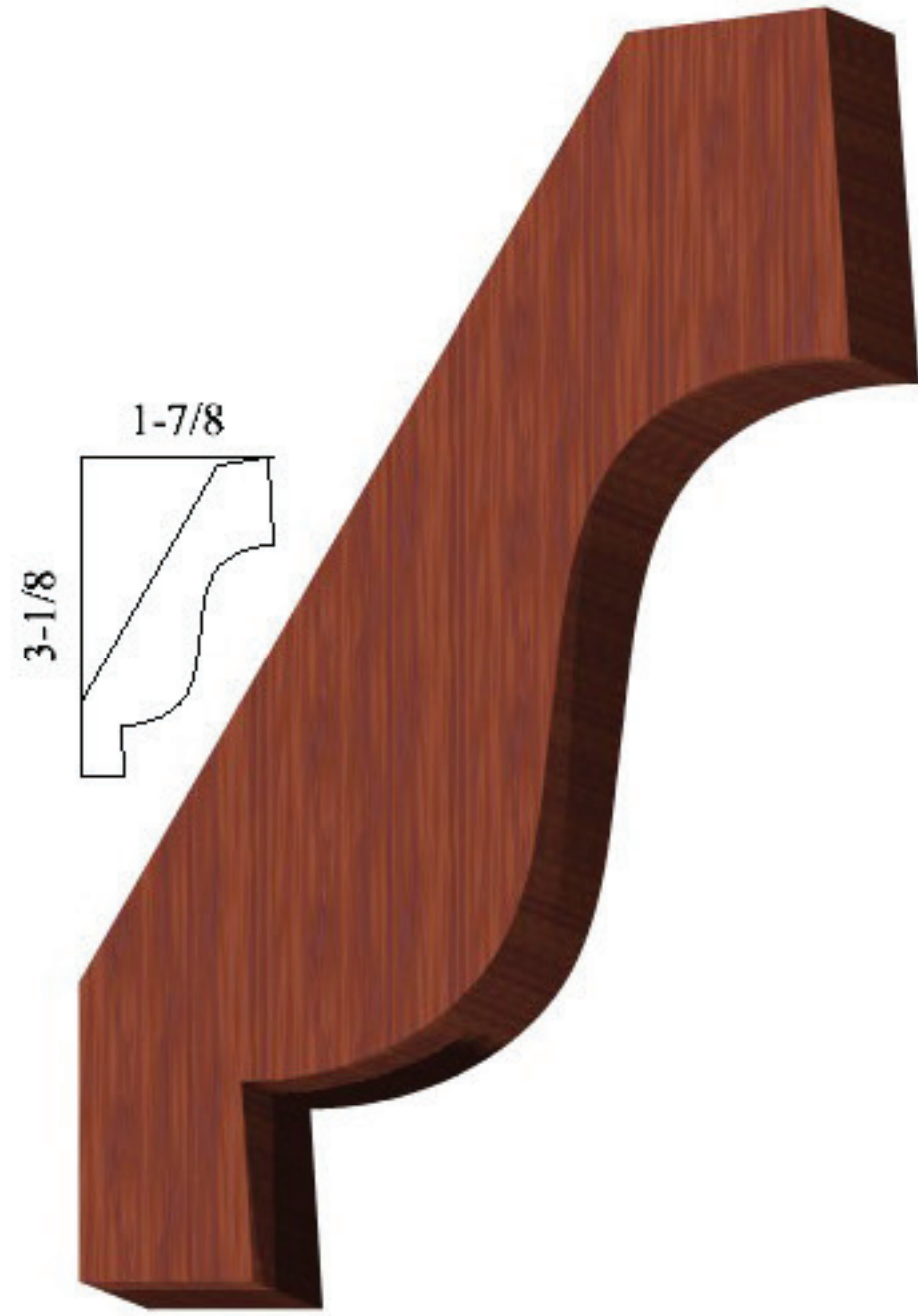
**CR136**  
13/16 x 4



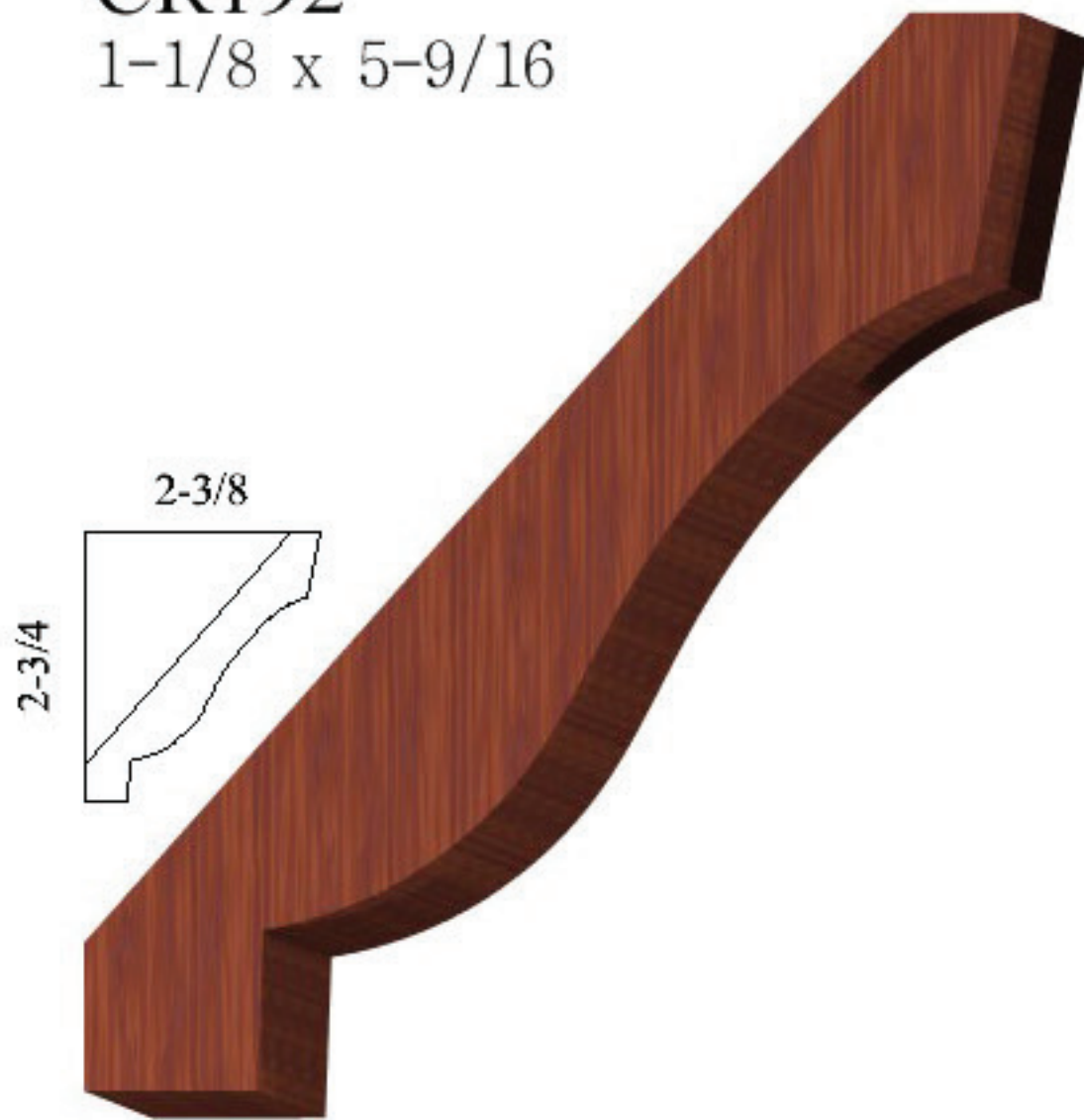




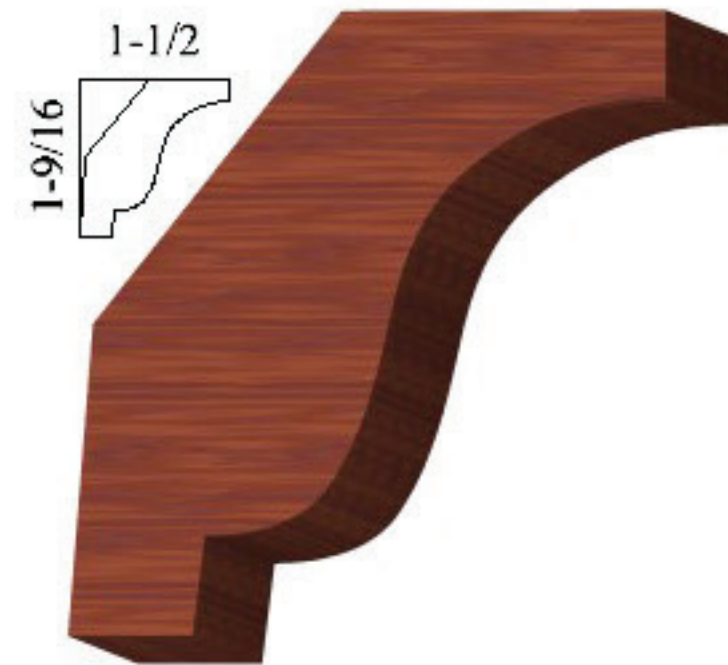
**CR192**  
1-1/8 x 5-9/16



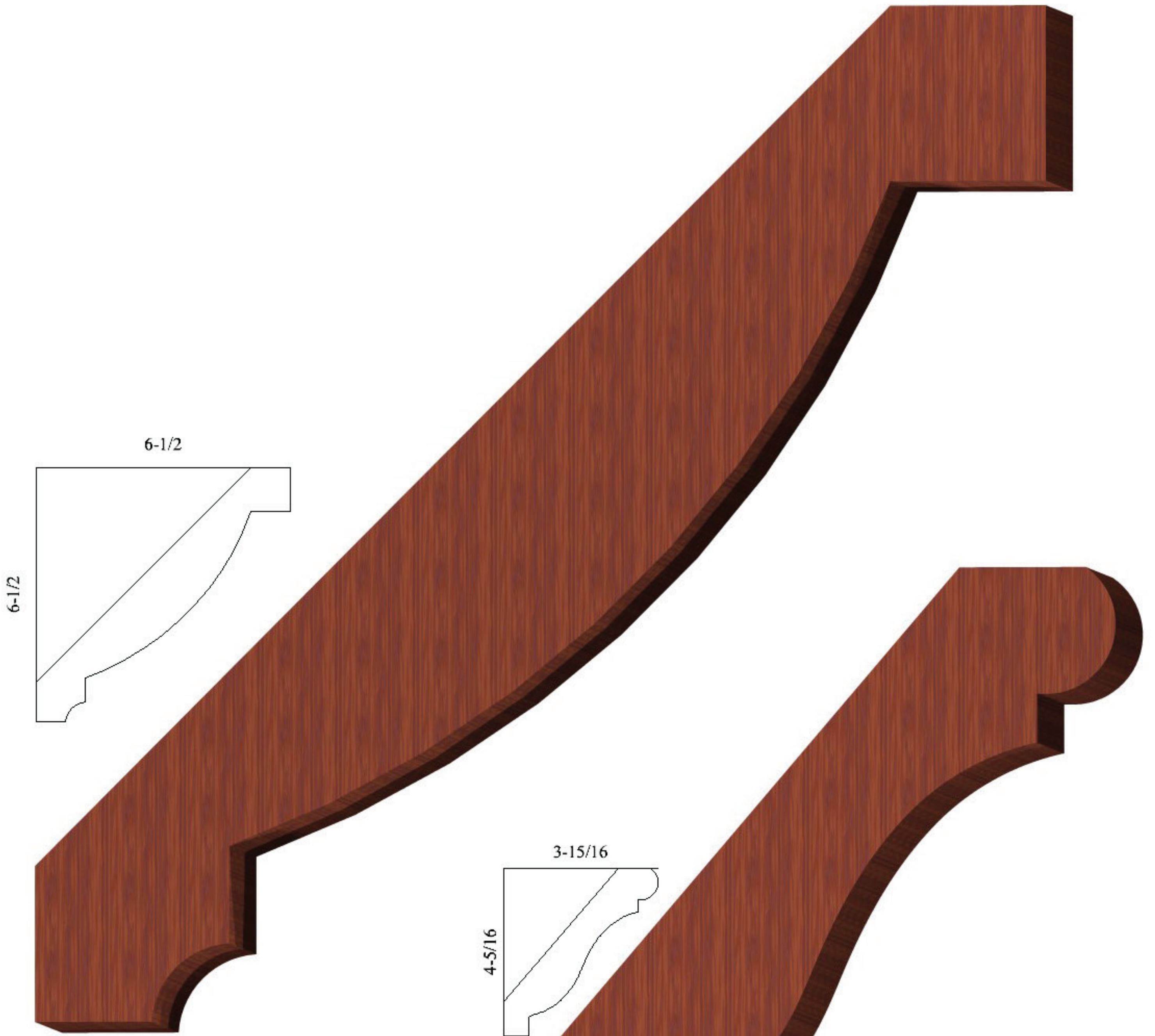
**CR153**  
7/8 x 3-11/16



**CR157**  
9/16 x 3-5/8

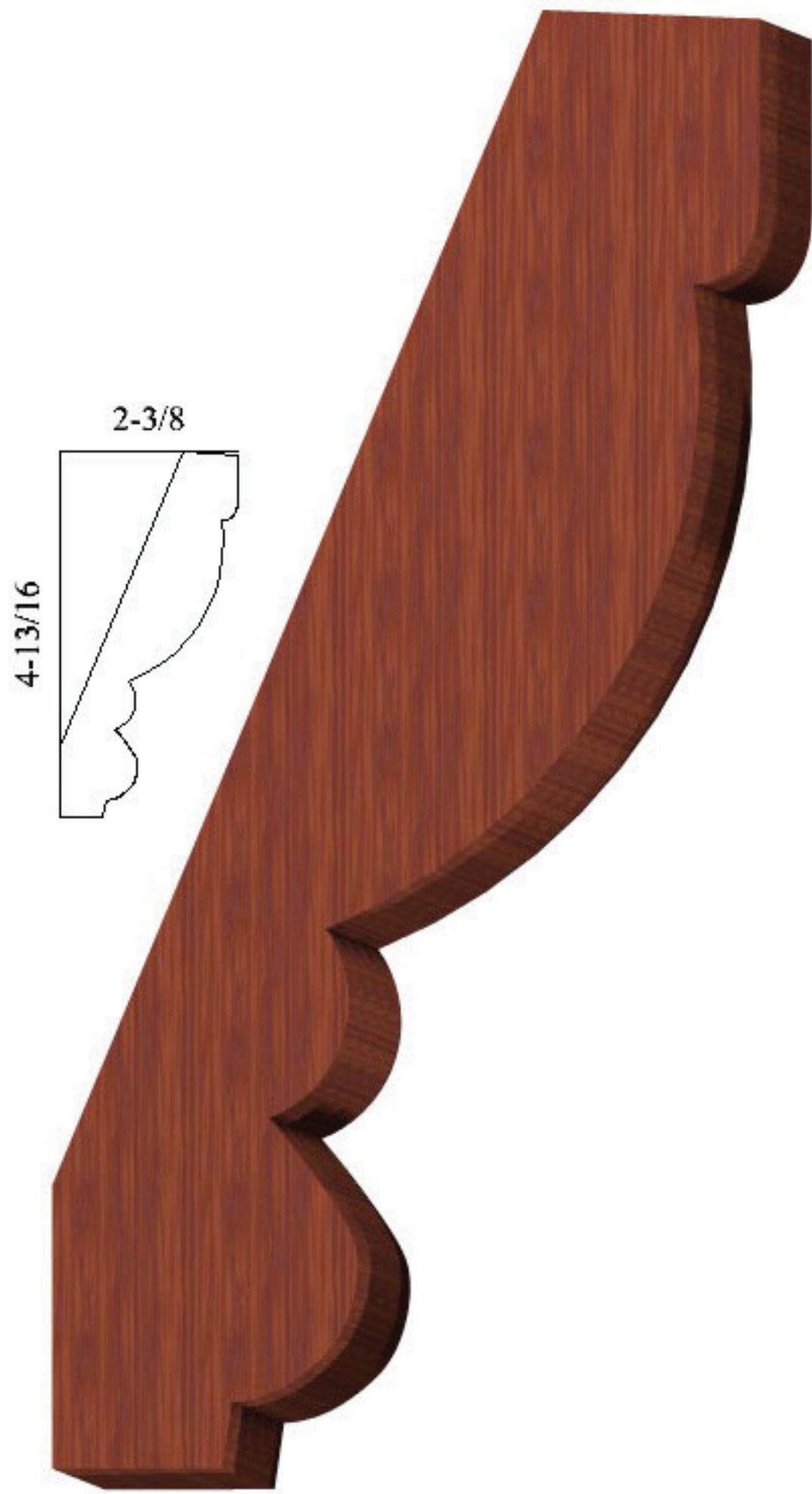


**CR141**  
3/4 x 2-1/8

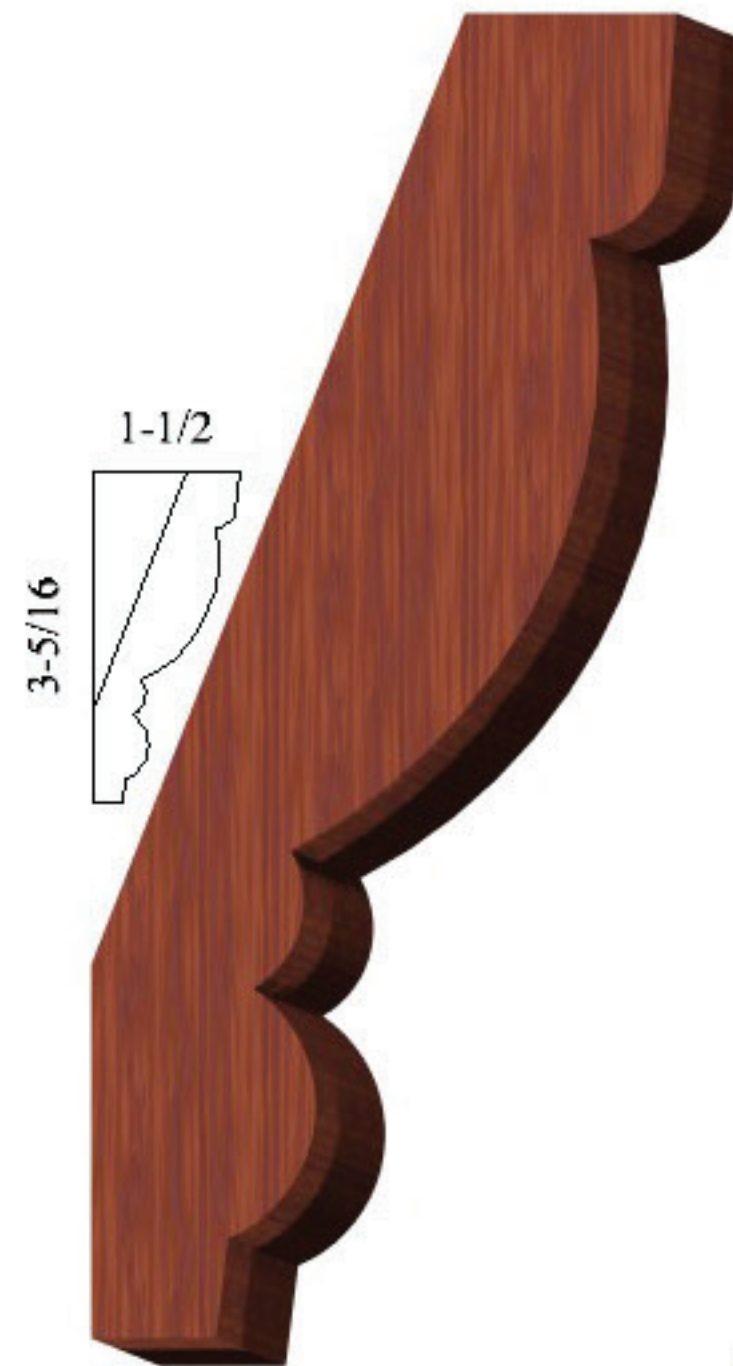


**CR198**  
1-1/2 x 9-1/4

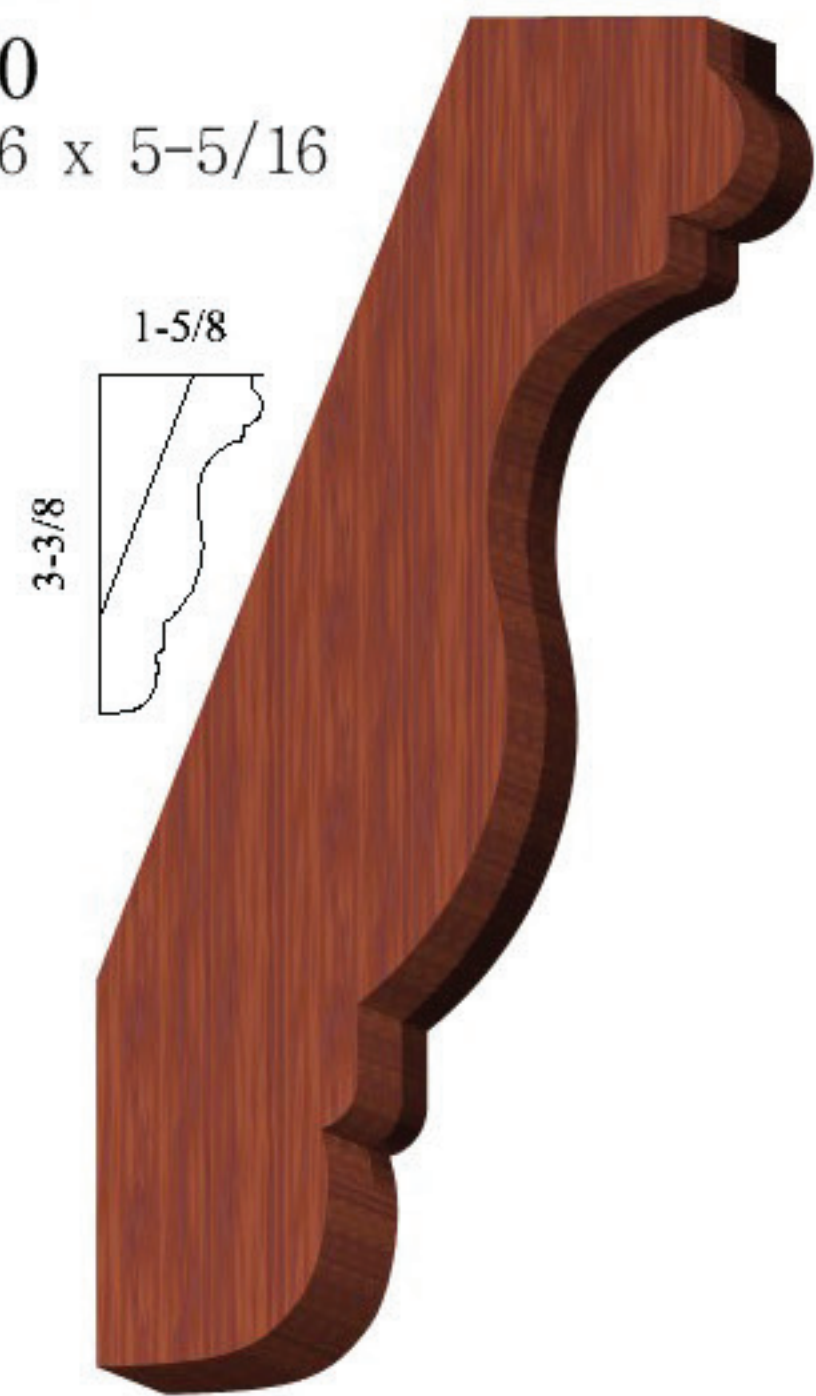
**CR205**  
1-1/8 x 5-3/4



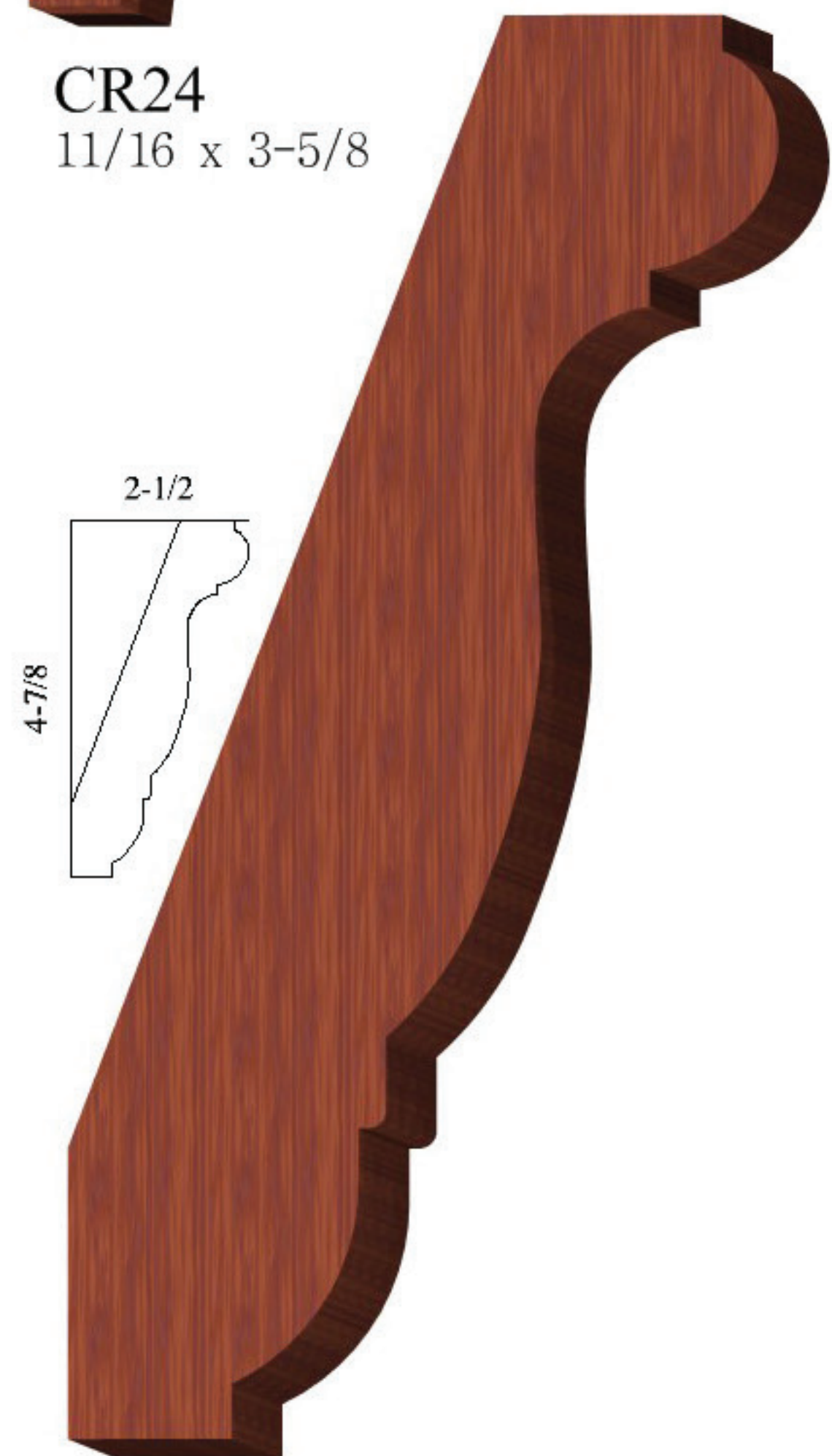
**CR50**  
1-1/16 x 5-5/16



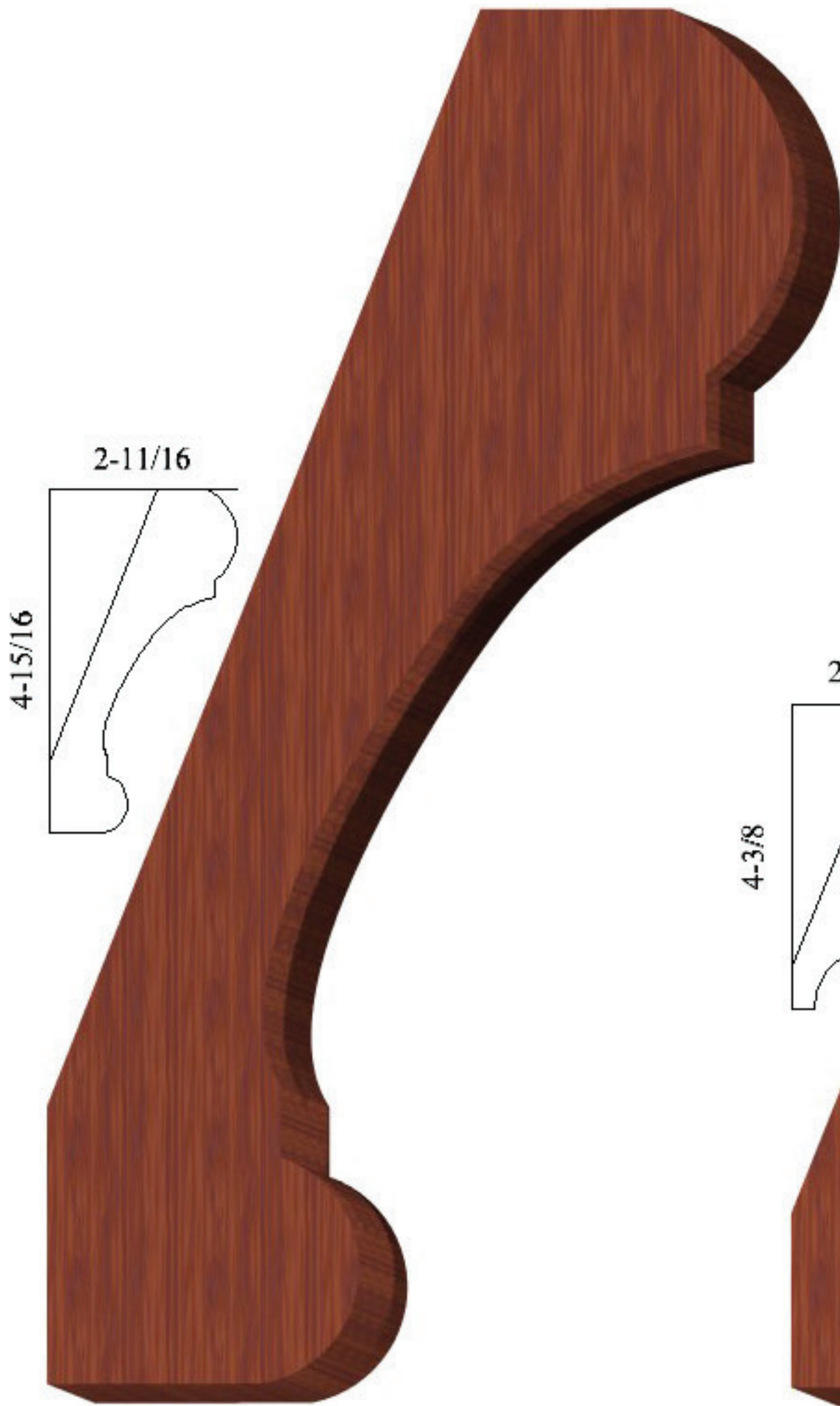
**CR24**  
11/16 x 3-5/8



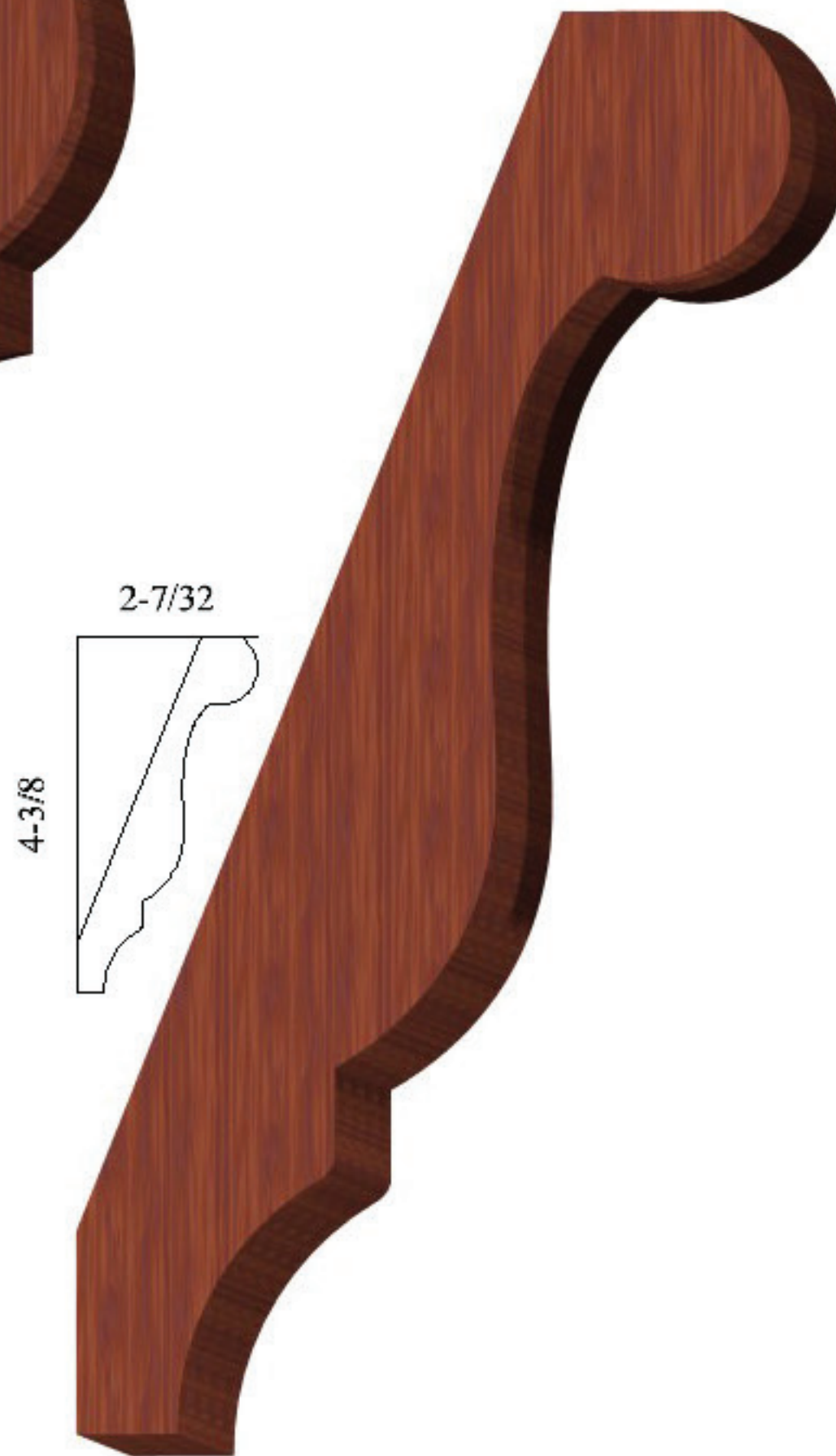
**CR75**  
3/4 x 3-3/4



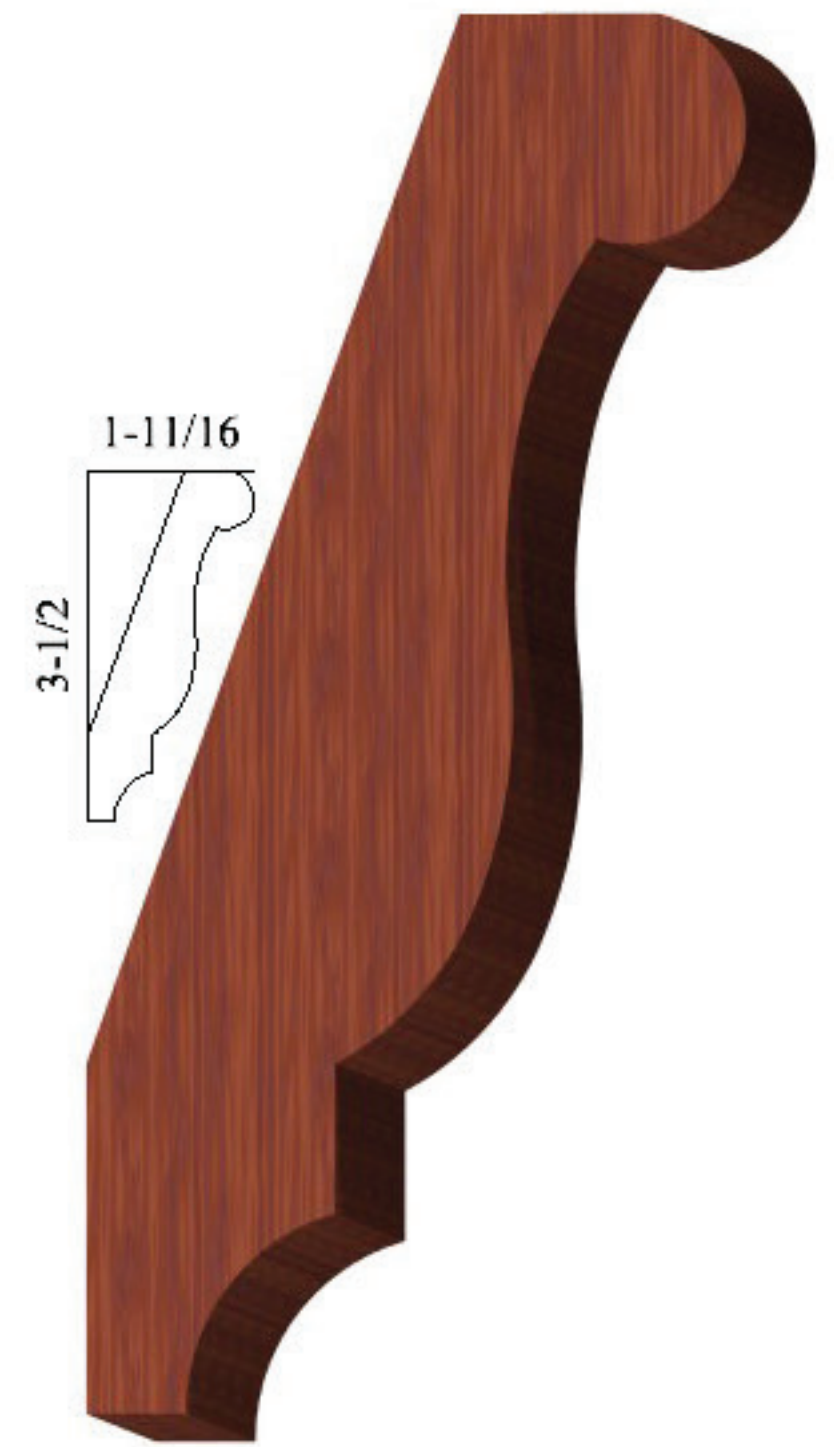
**CR77**  
1/4 x 5-3/8



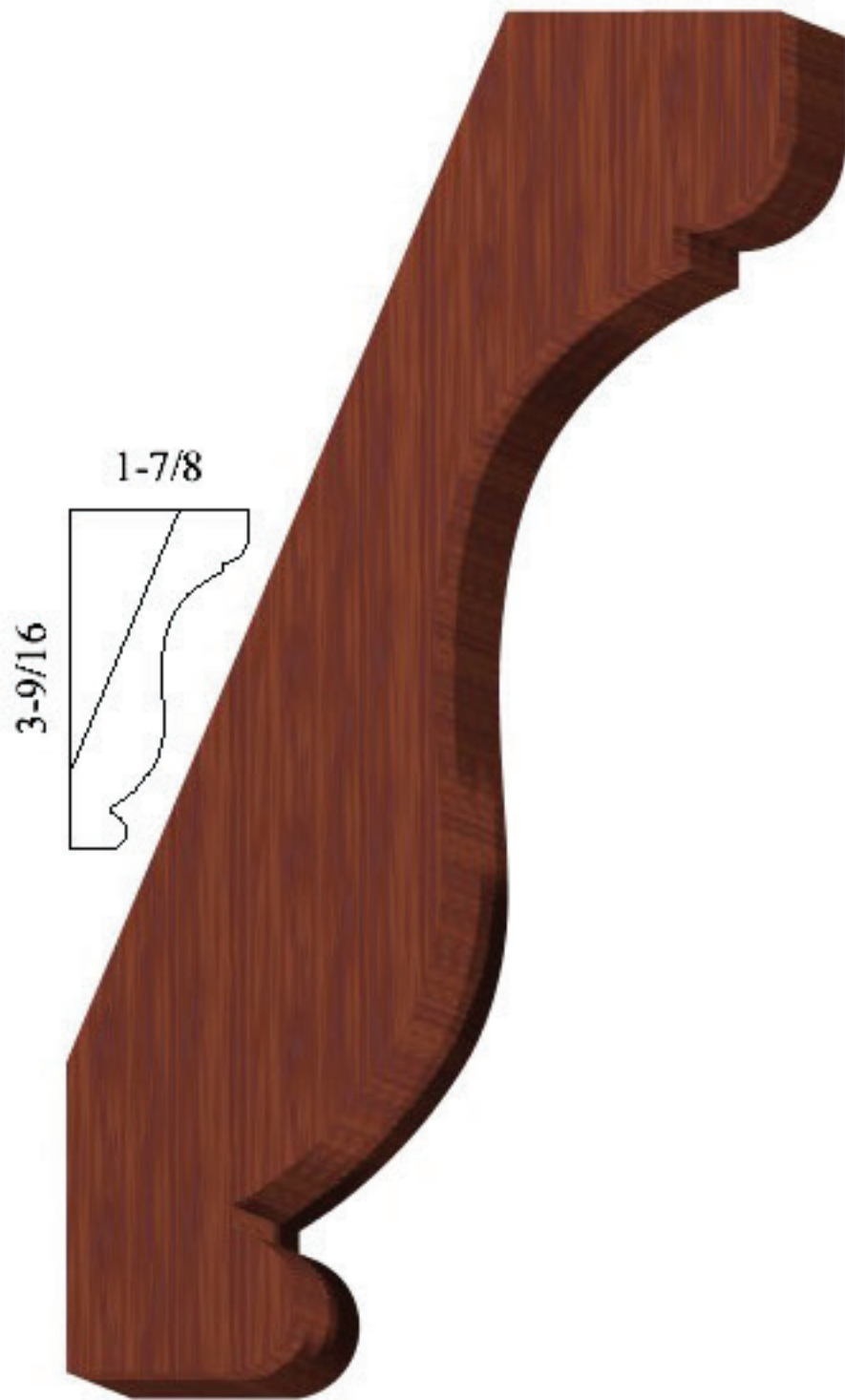
**CR105**  
1-1/4 x 5-3/8



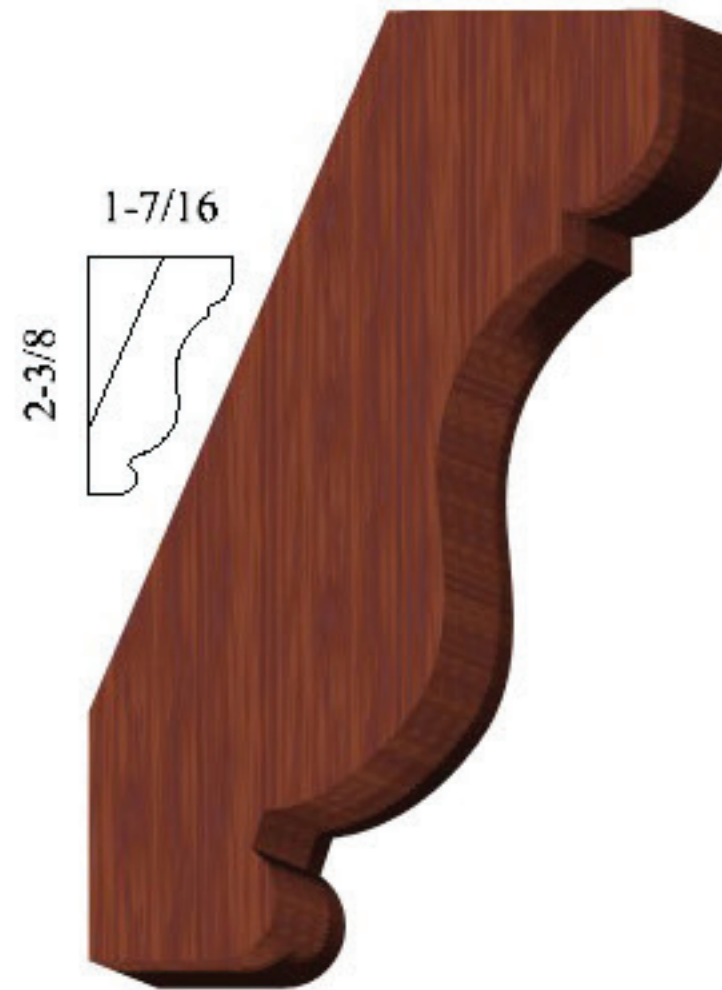
**CR107**  
3/4 x 4-13/16



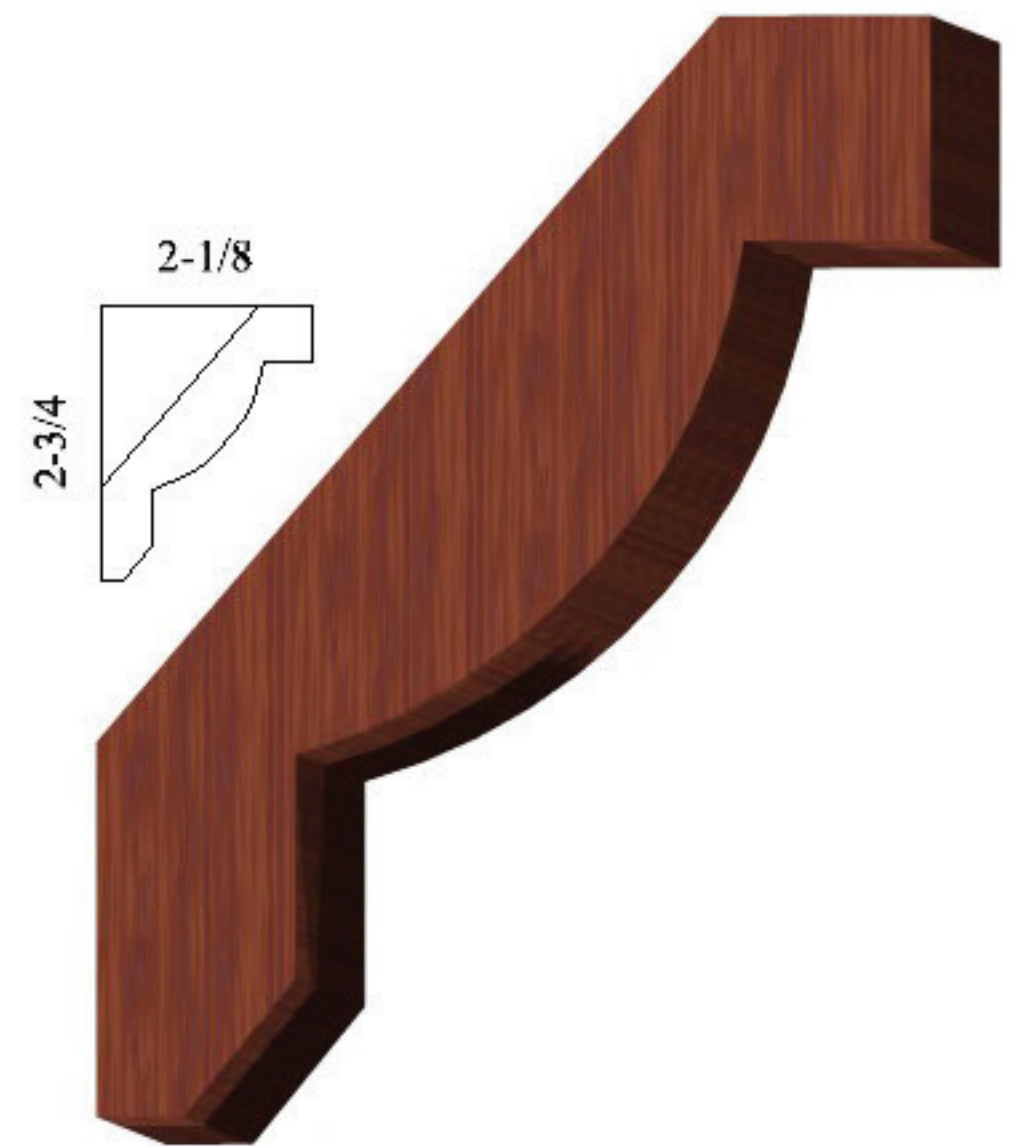
**CR111**  
3/4 x 3-3/4



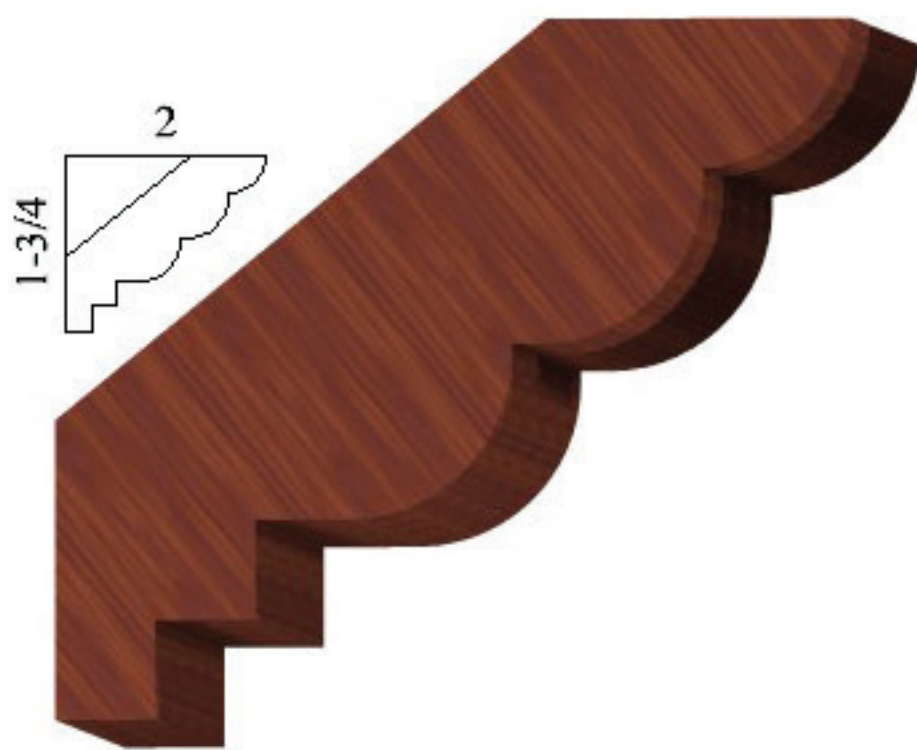
CR156  
13/16 x 4



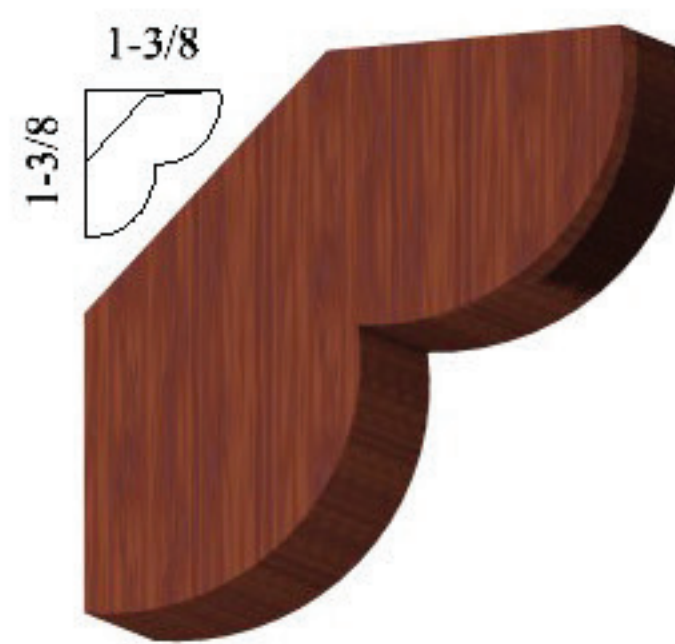
CR155  
13/16 x 2-13/16



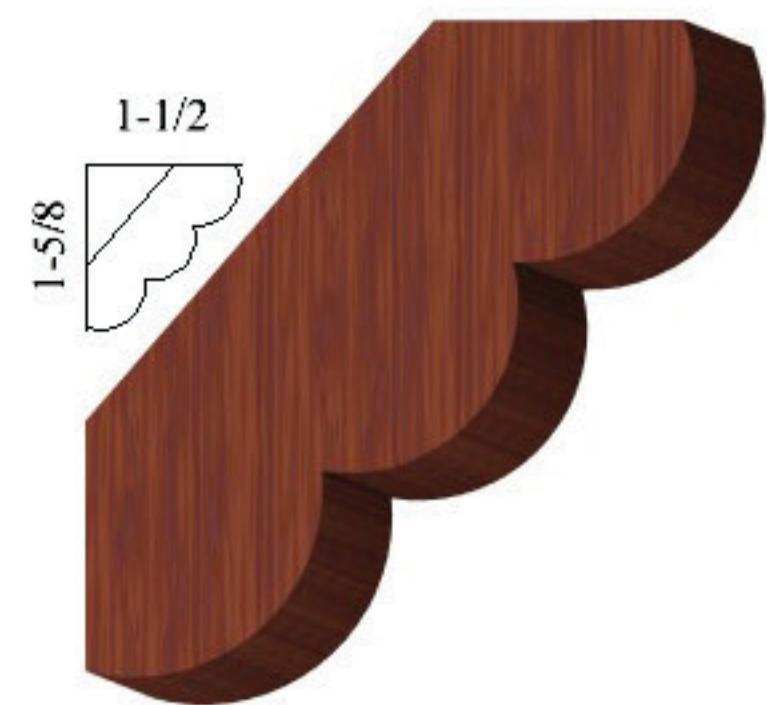
CR106  
3/4 x 3-1/2



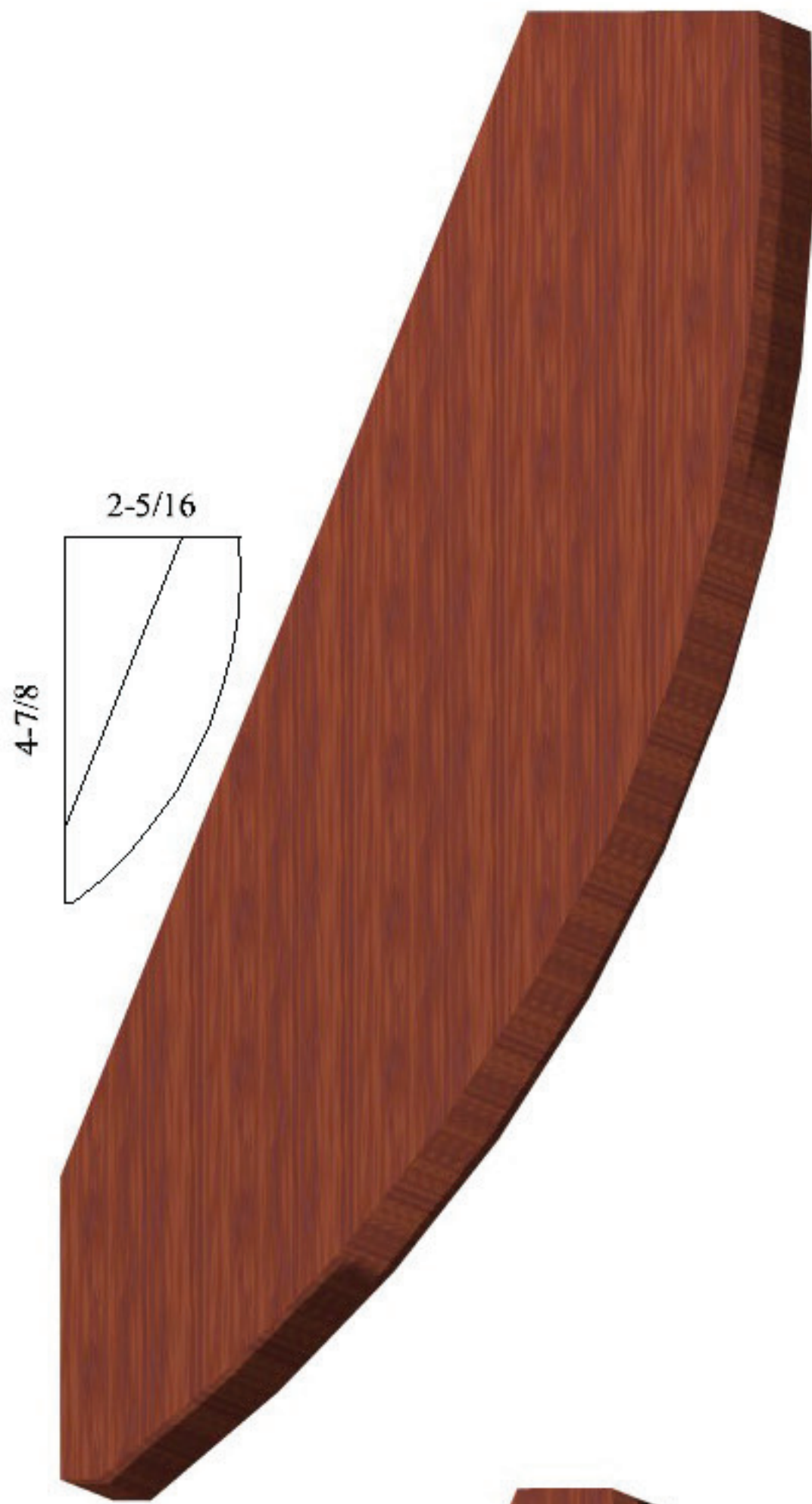
CR221  
3/4 x 2-5/8



CR154  
11/16 x 2



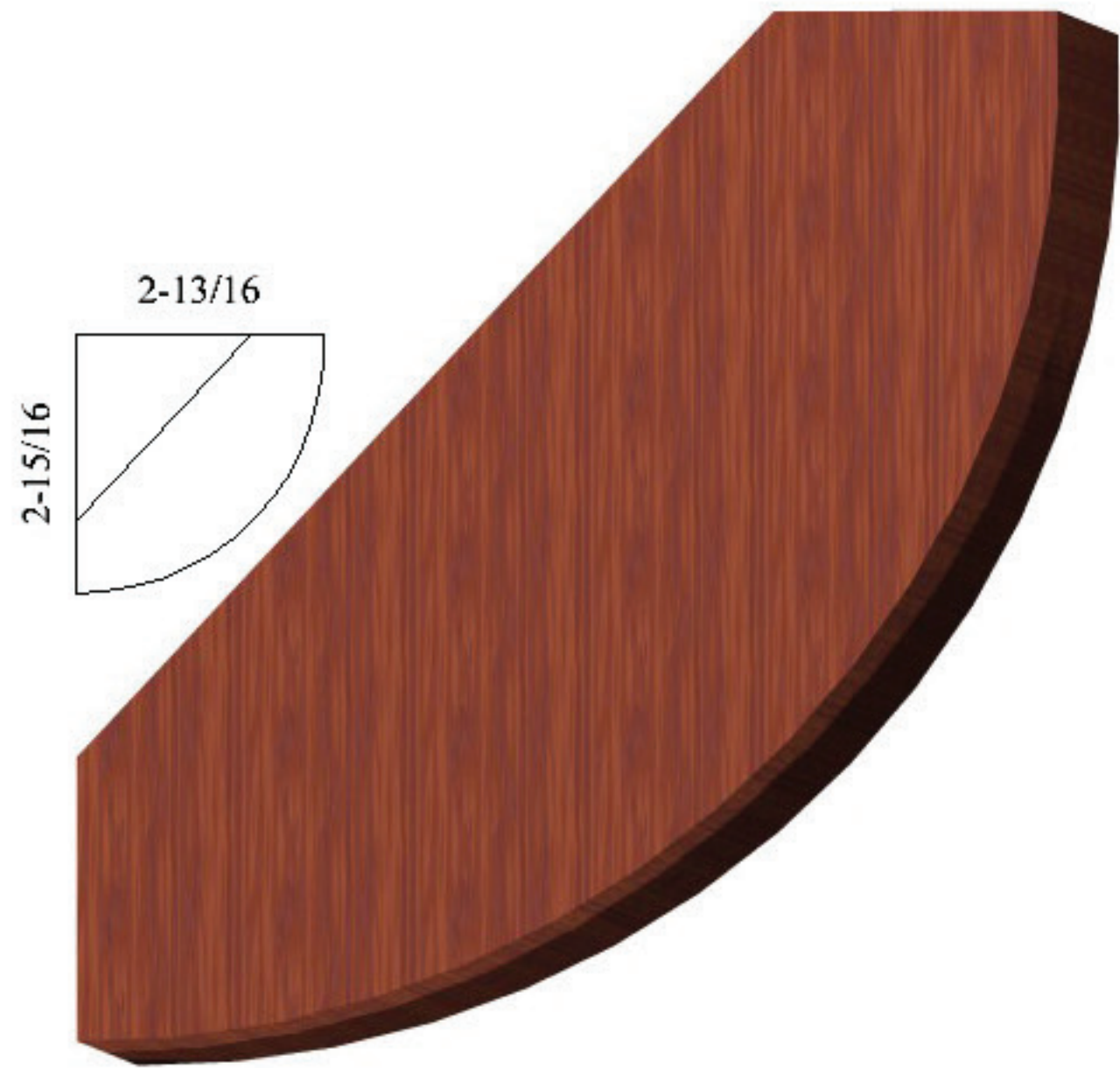
CR54  
7/8 x 2-1/4



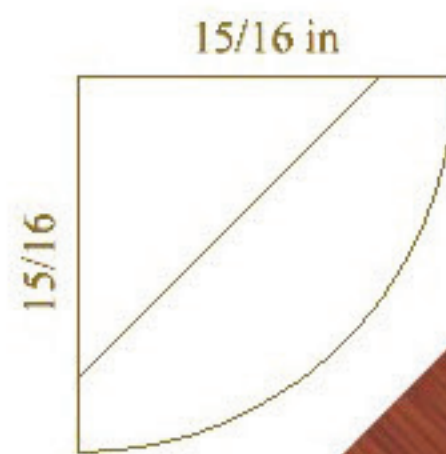
**CR162**  
1-1/4 x 5-3/8



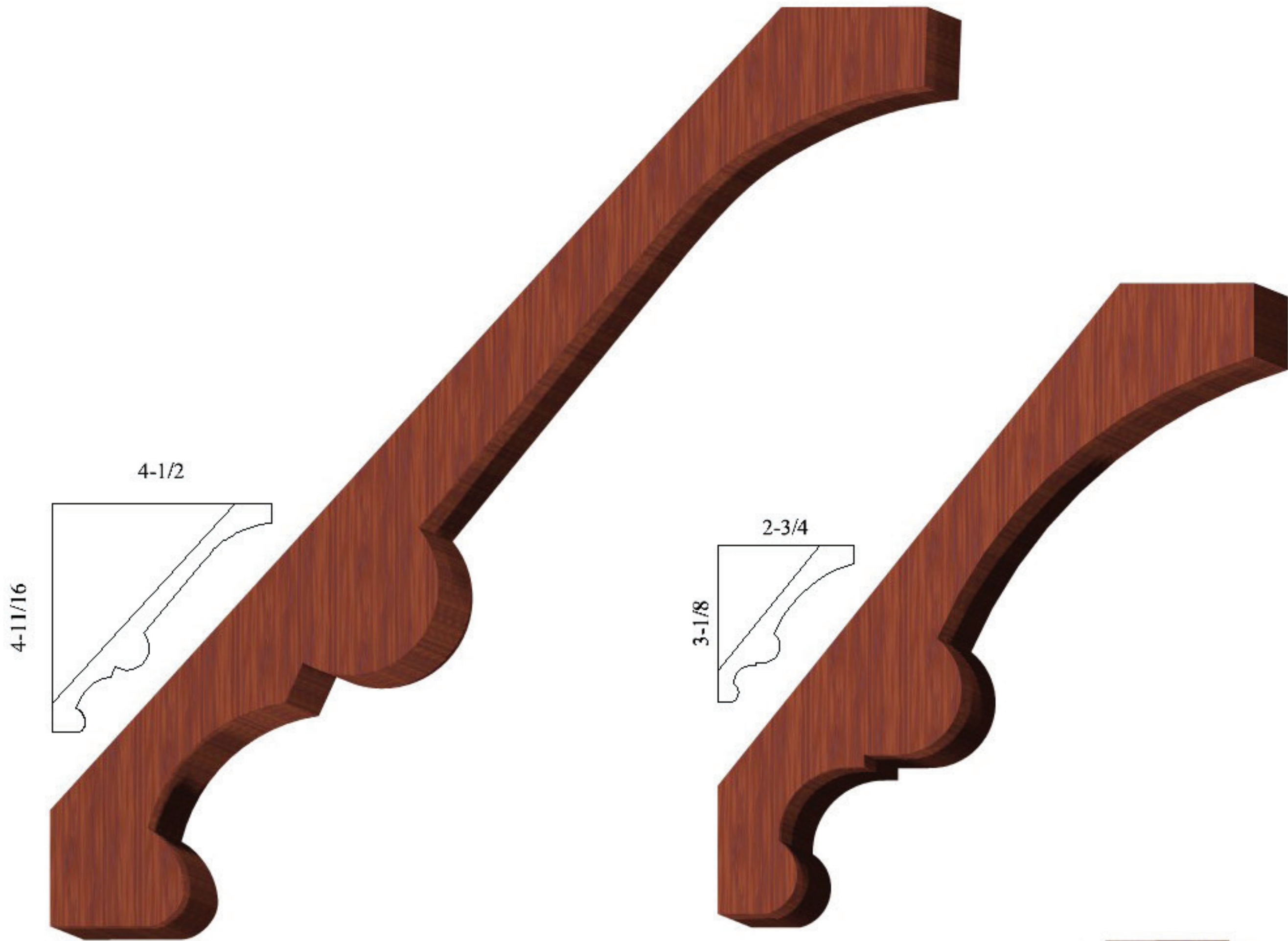
**CR163**  
13/16 x 3-11/16



**CR66**  
1-1/2 x 4-1/16

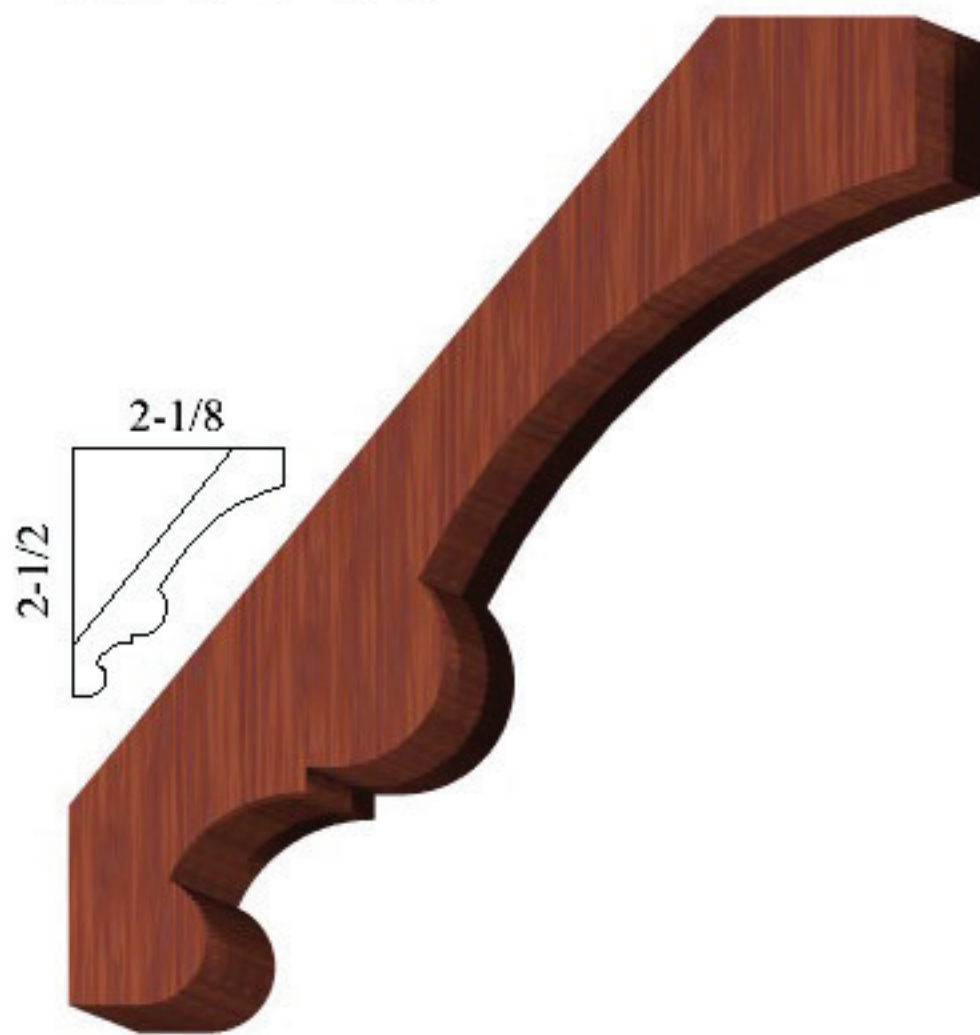


**CR213**  
1-5/8 x 5-5/16

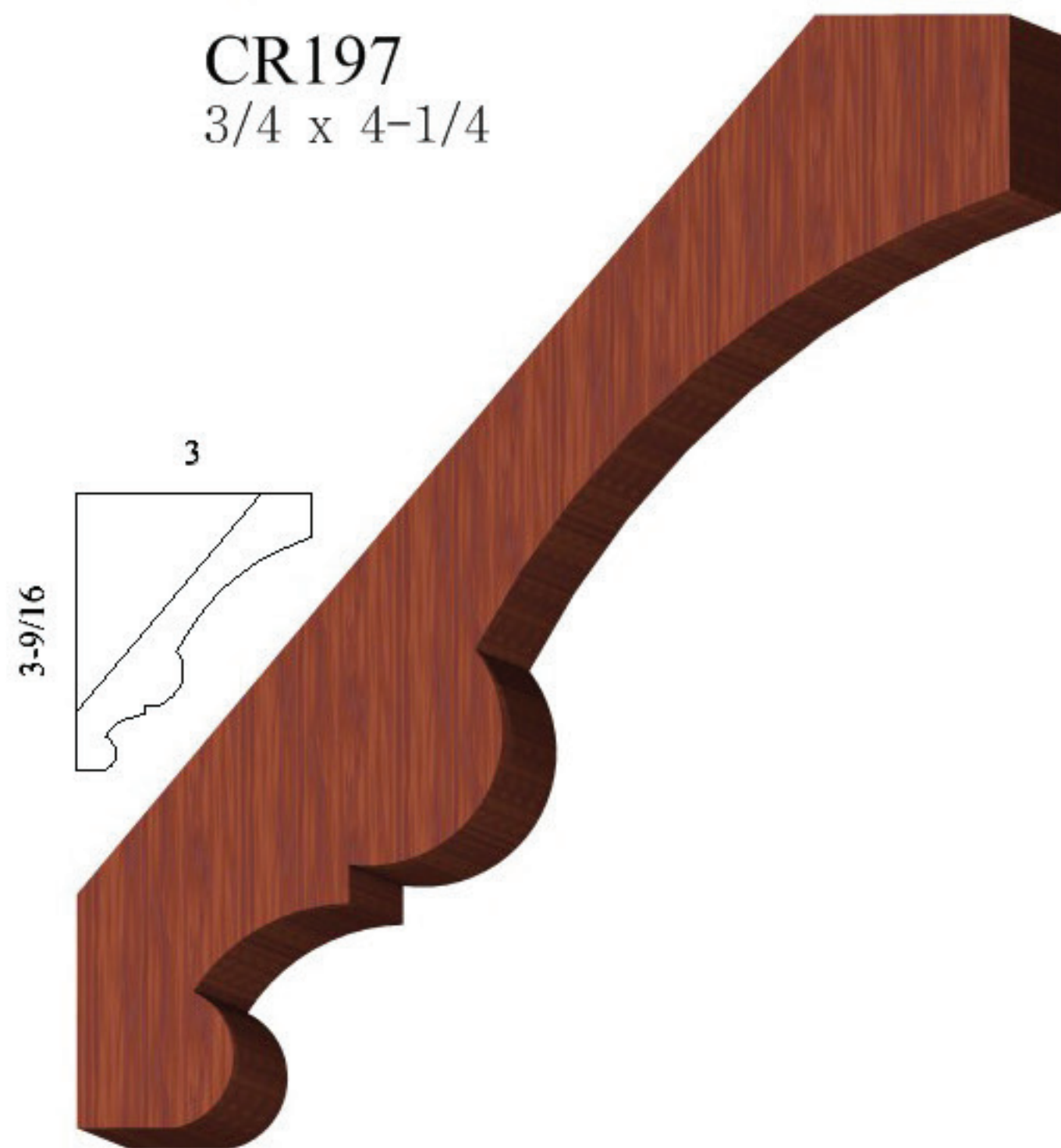


**CR70**  
7/8 x 6-1/2

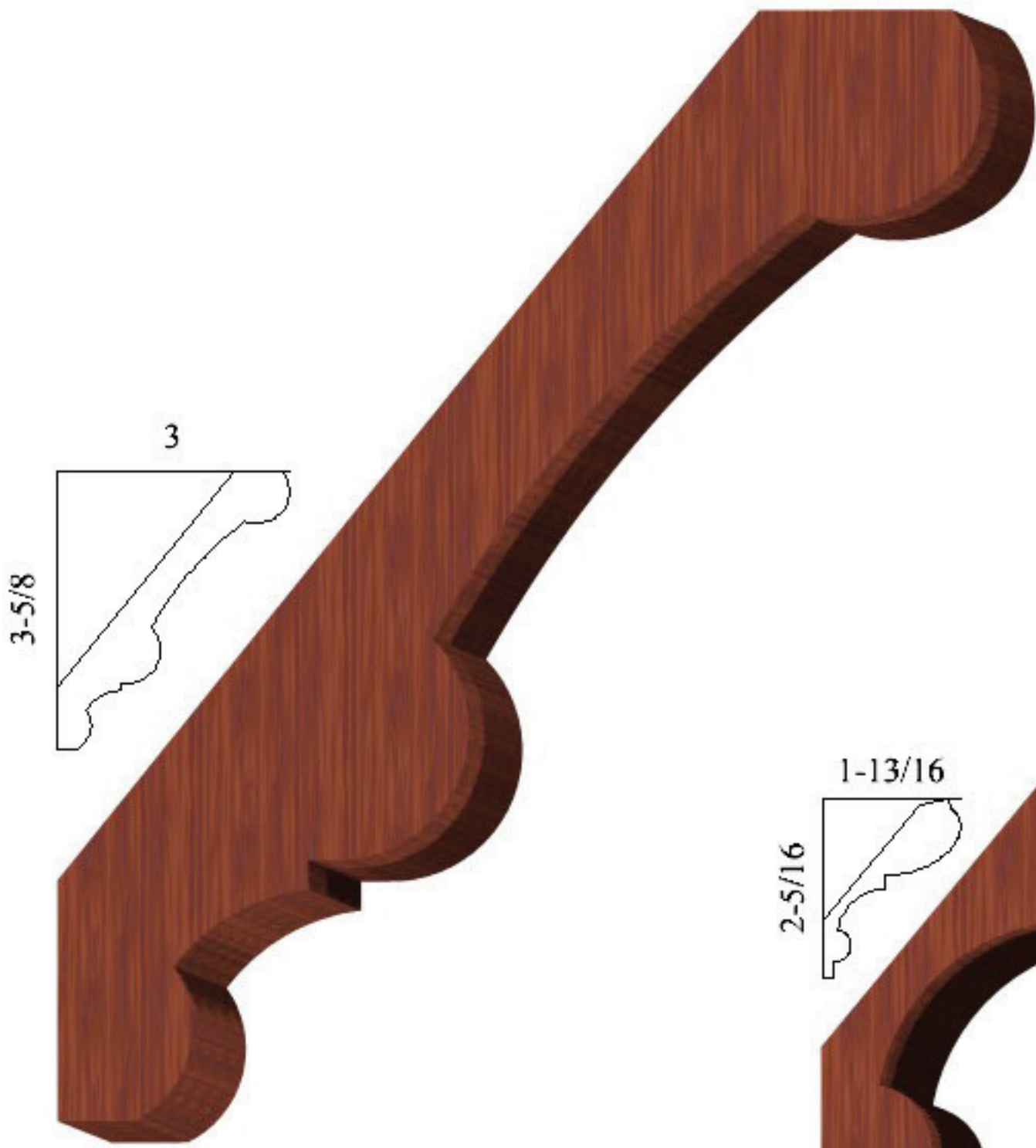
**CR197**  
3/4 x 4-1/4



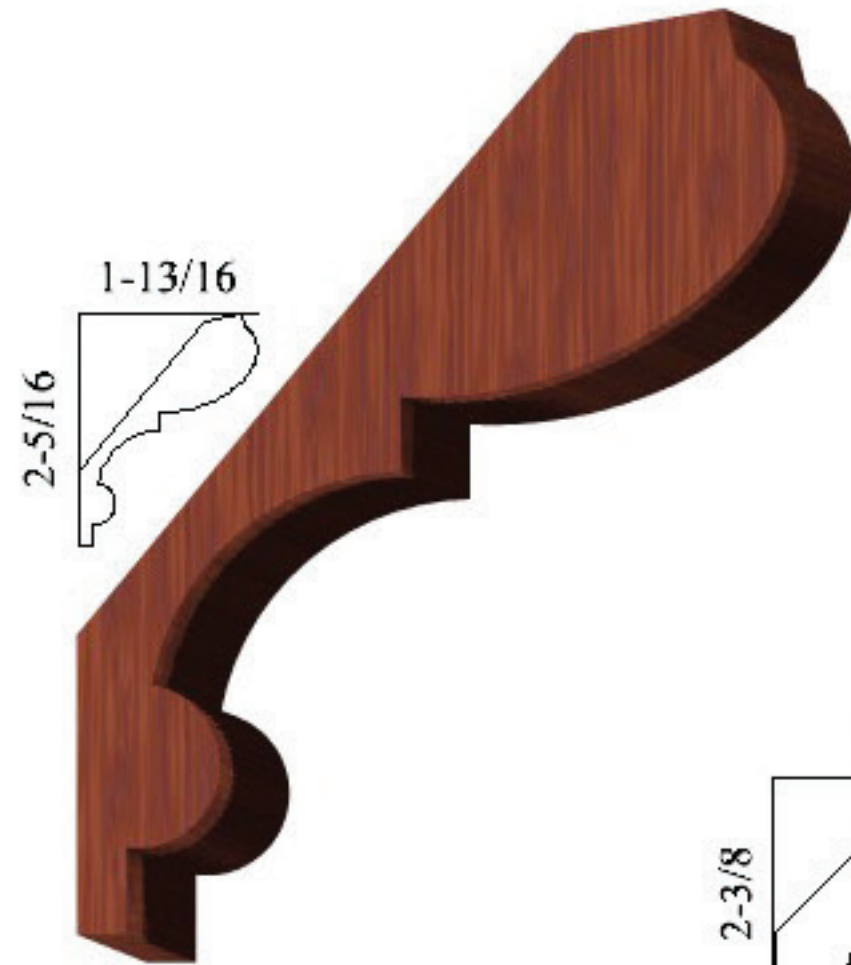
**CR175**  
5/8 x 3-1/4



**CR135**  
3/4 x 4-11/16



**CR181**  
 $13/16 \times 4-5/8$

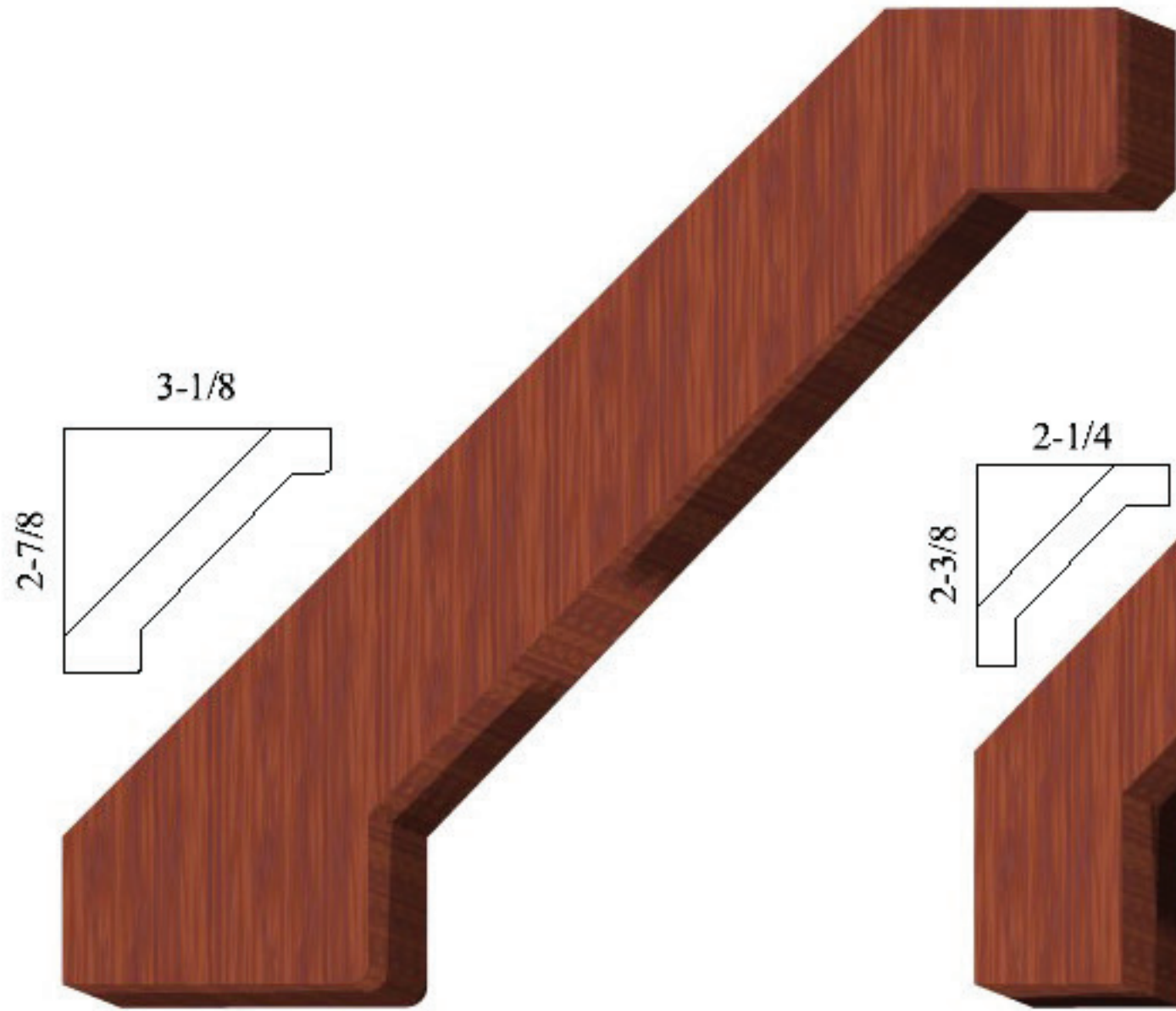


**CR146**  
 $5/8 \times 2-7/8$

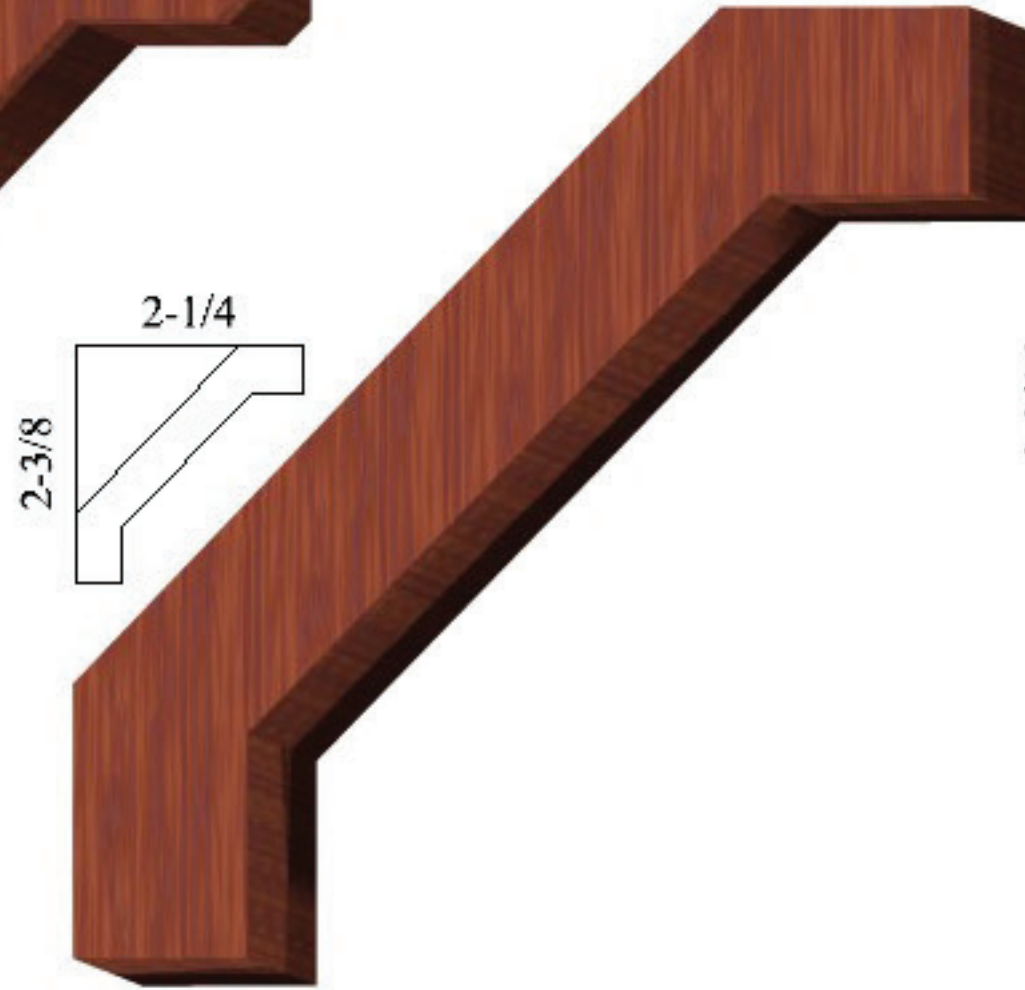


**CR229**  
 $13/16 \times 3-1/2$

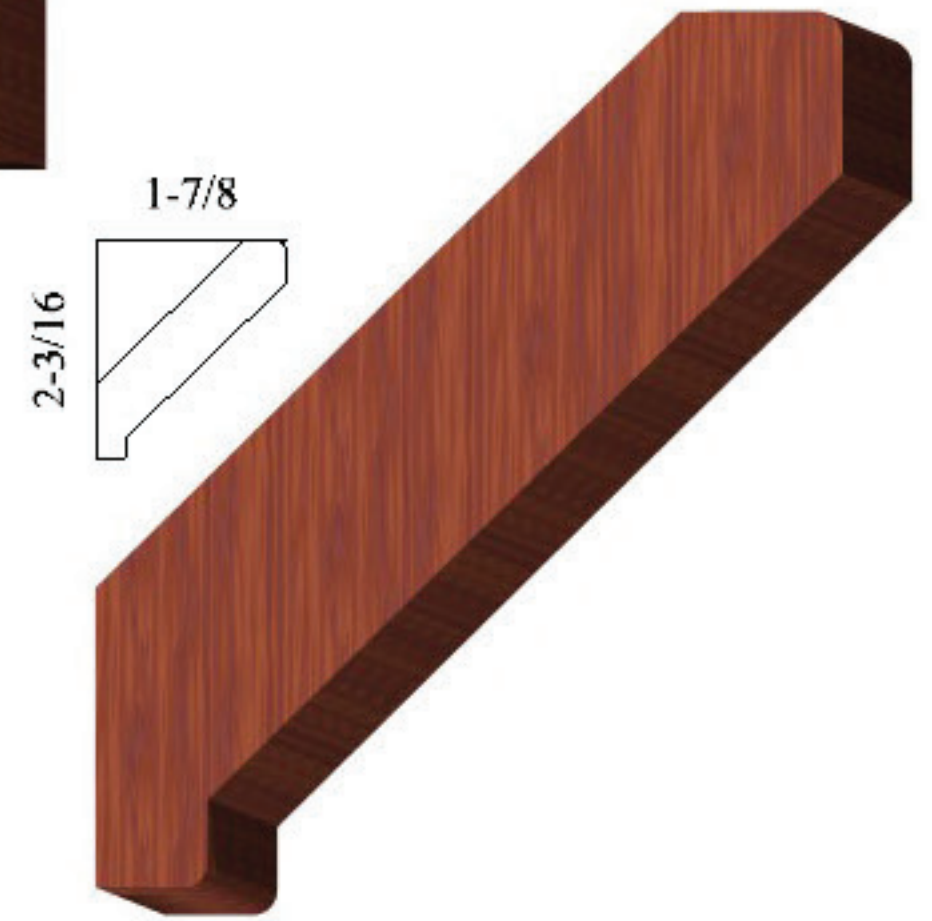




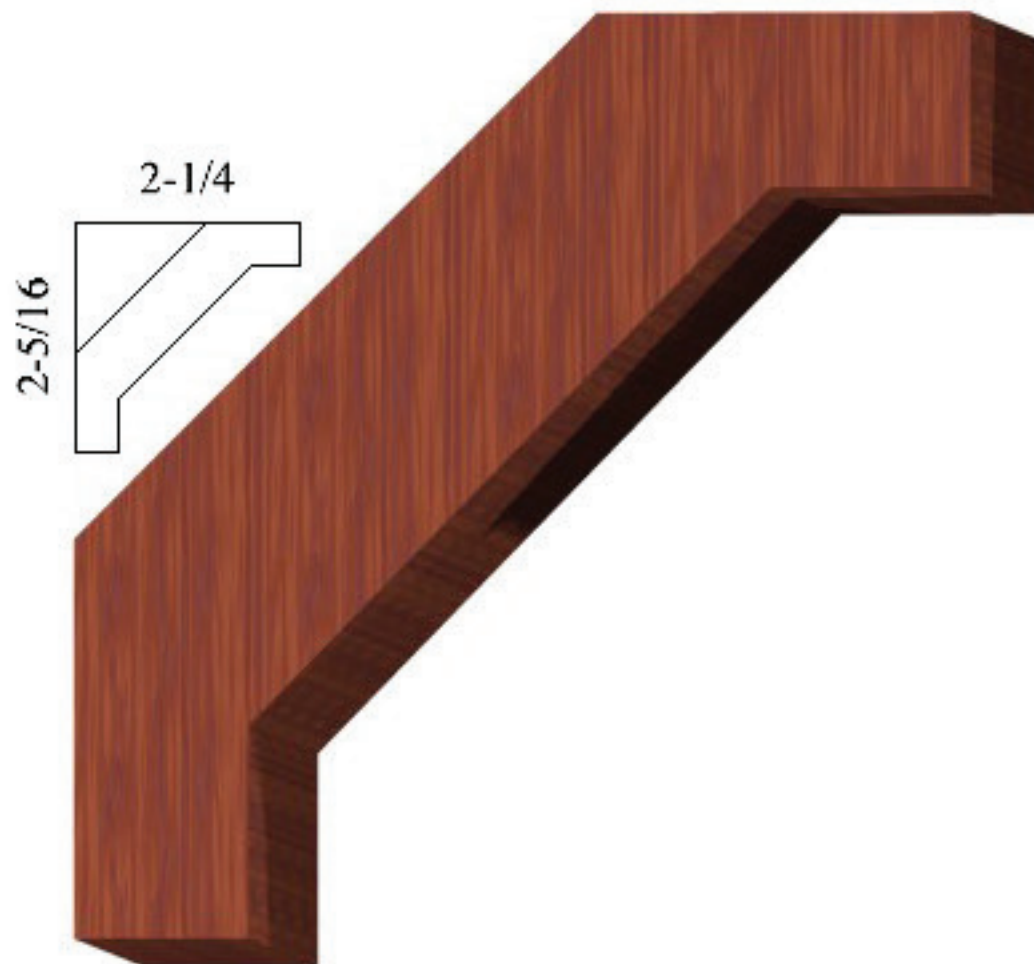
**CR08**  
7/8 x 4-1/4



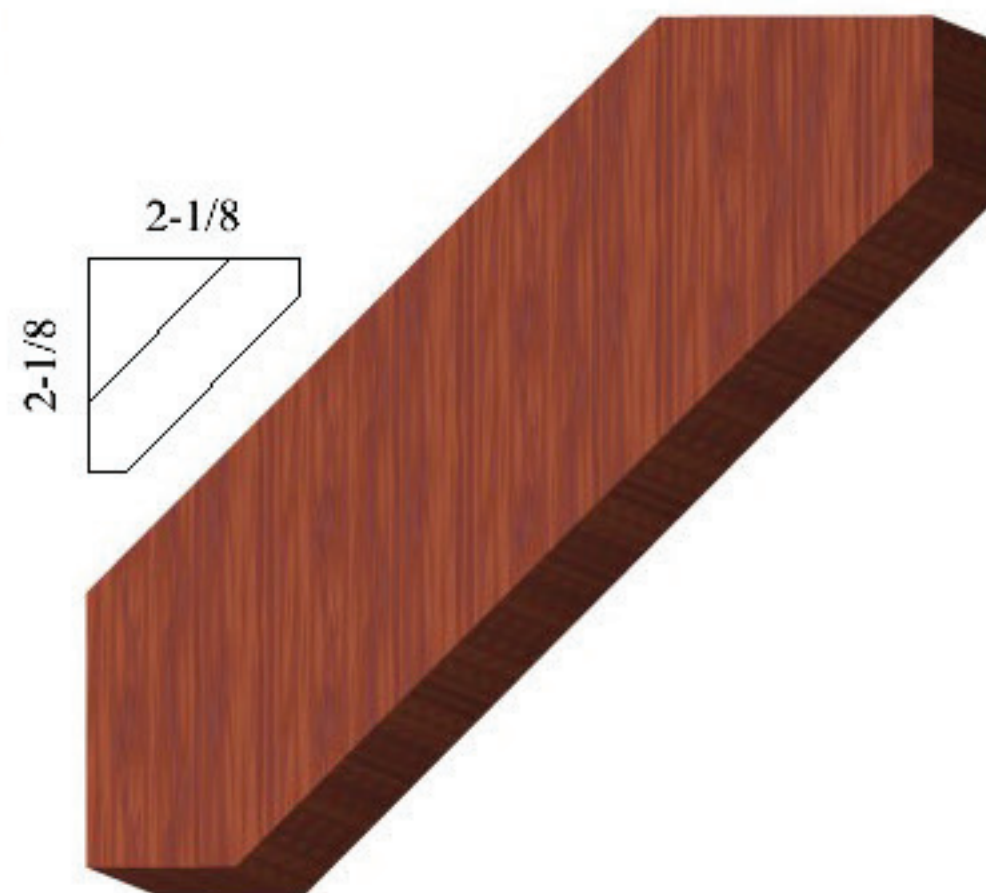
**CR02**  
3/4 x 3-5/16



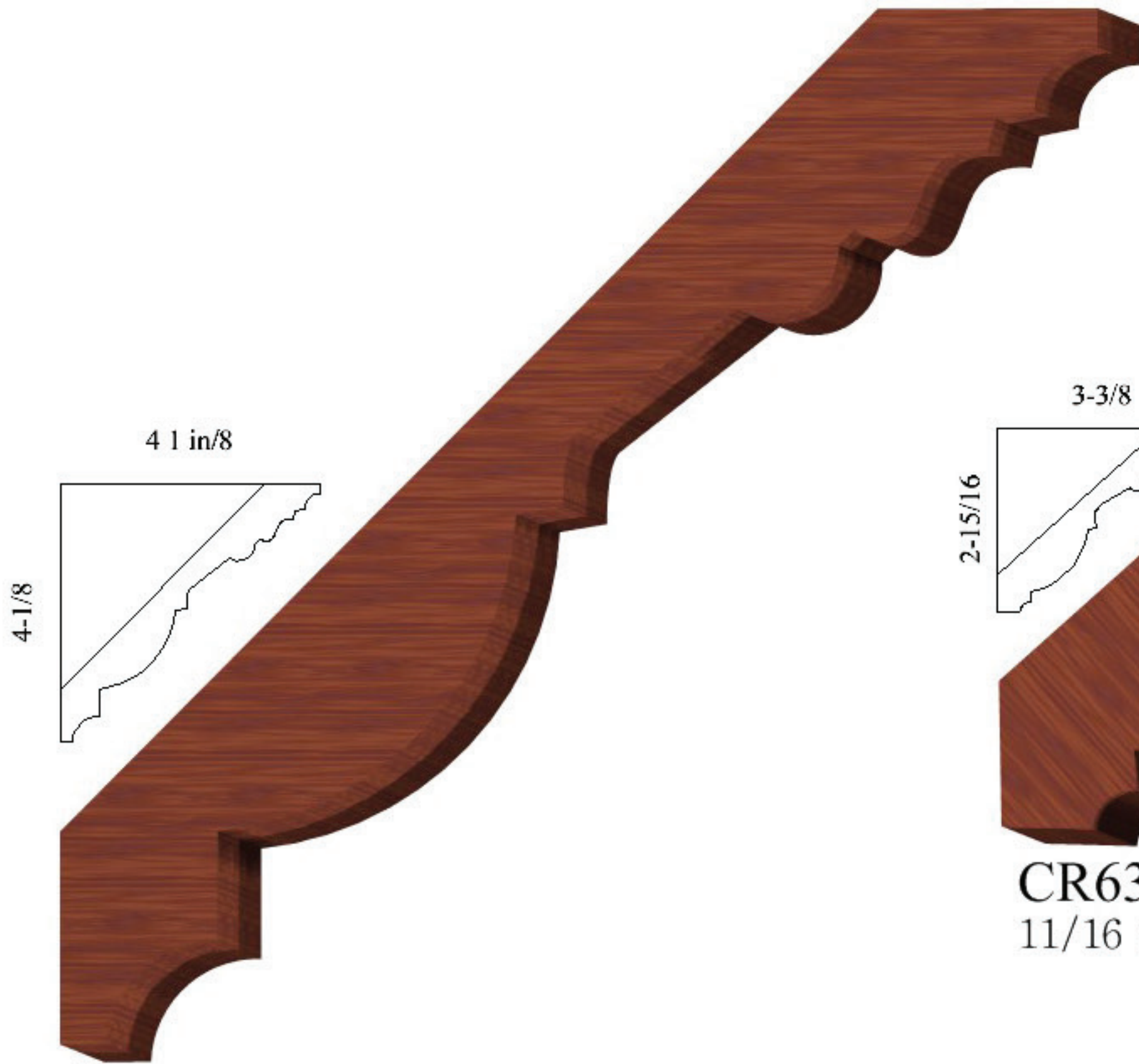
**CR125**  
11/16 x 2-7/8



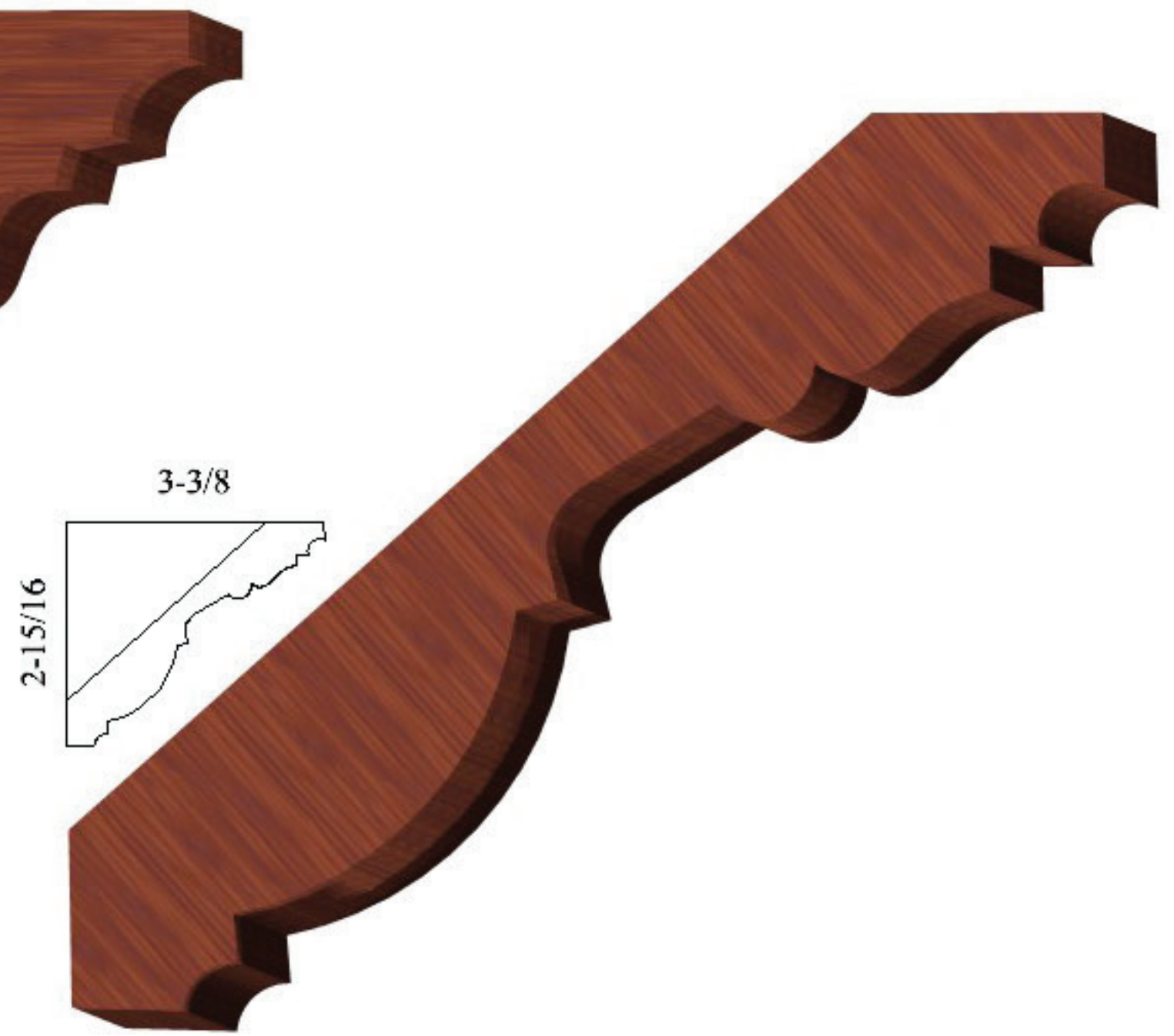
**CR149**  
5/8 x 3-1/4



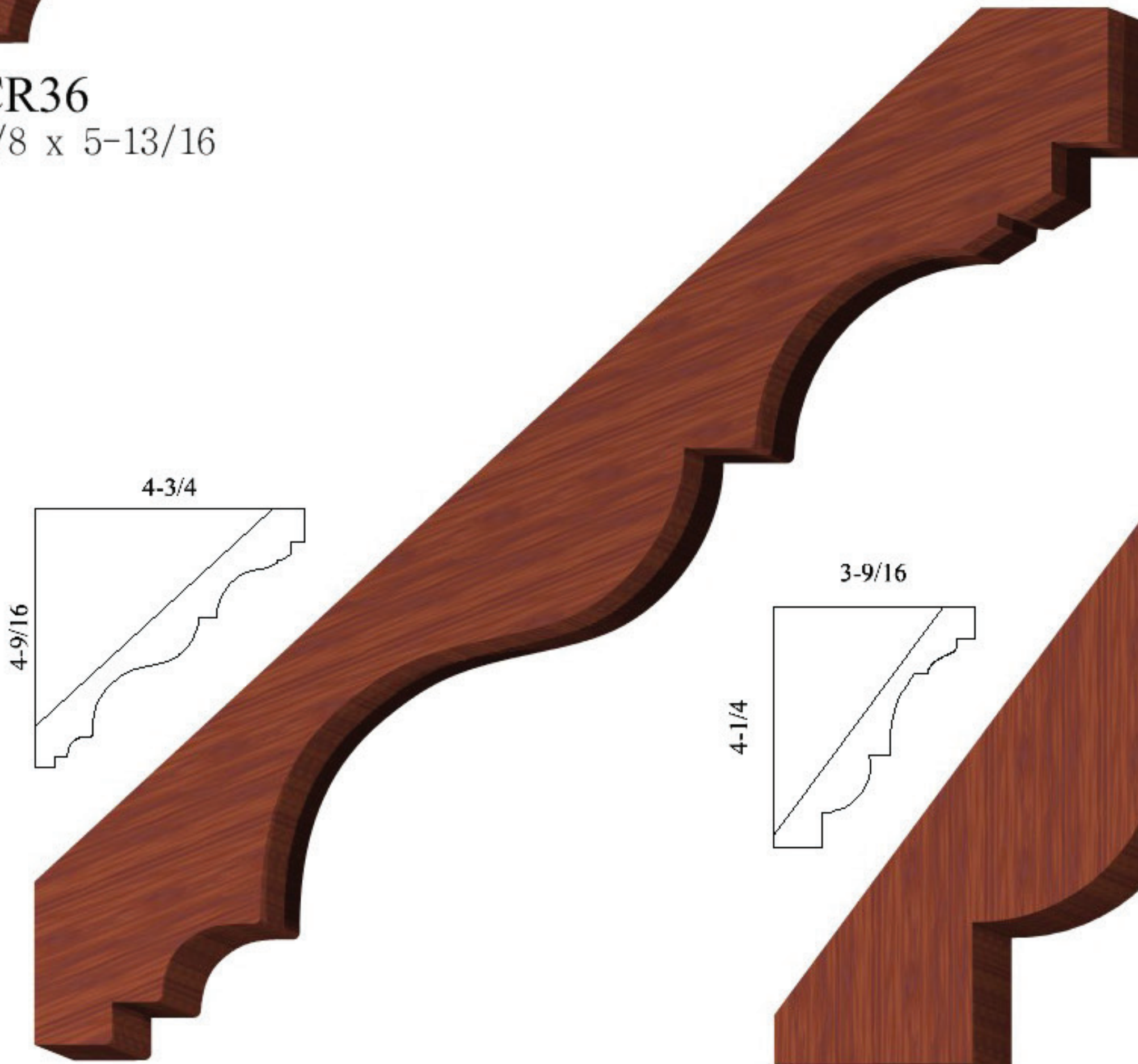
**CR203**  
3/4 x 3



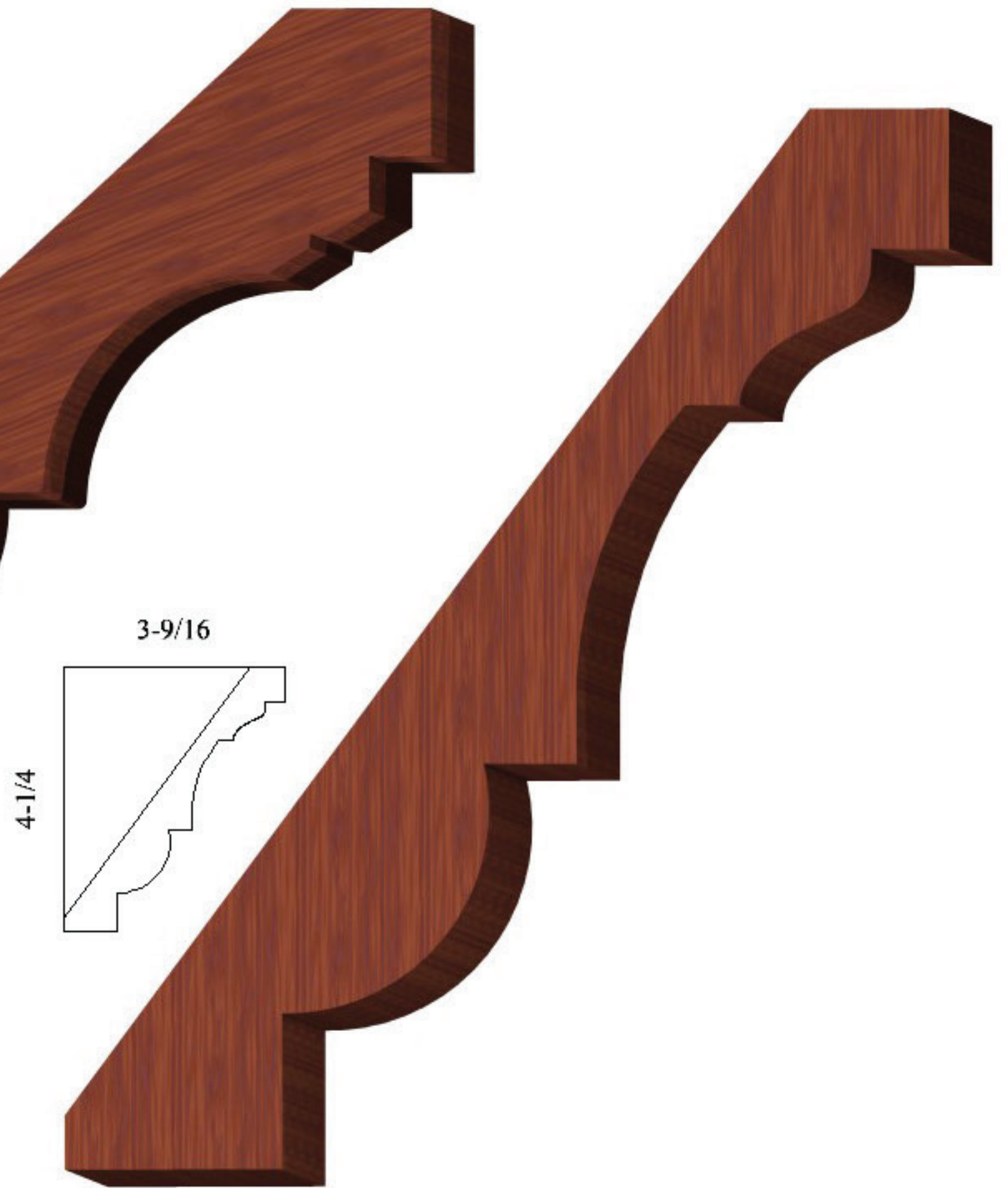
**CR36**  
 $\frac{7}{8} \times 5\frac{13}{16}$



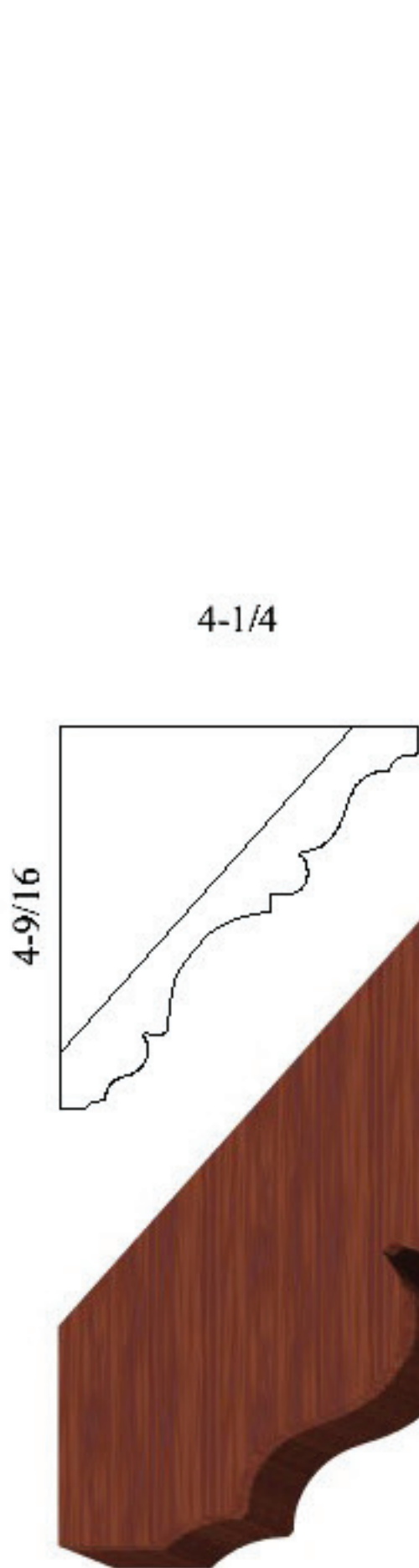
**CR63**  
 $\frac{11}{16} \times 4\frac{1}{2}$



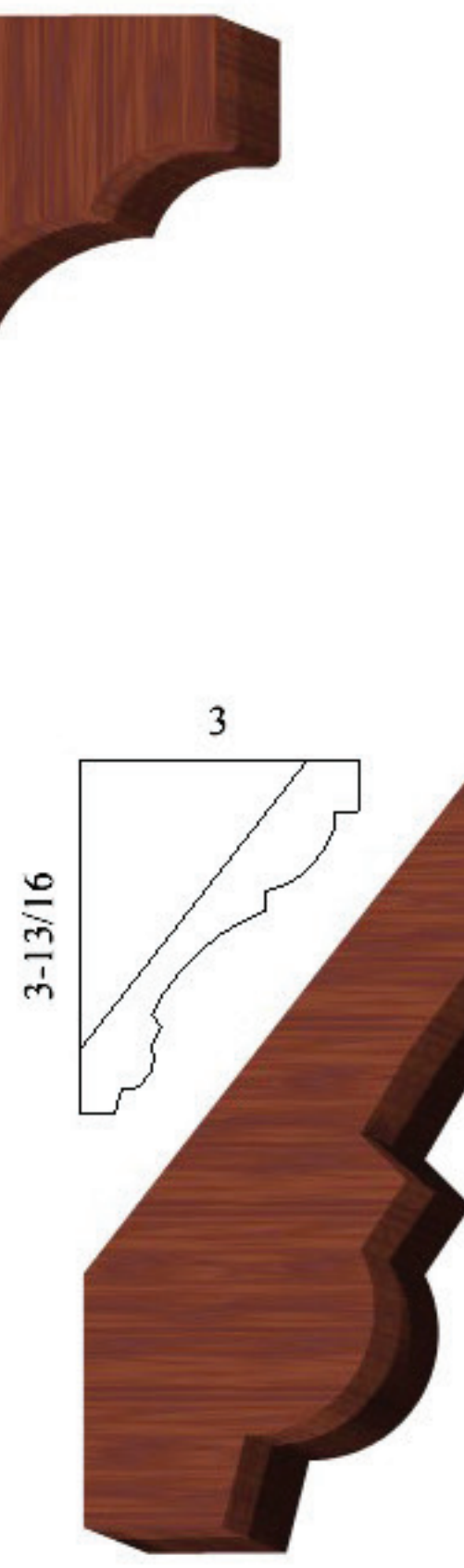
**CR79**  
 $\frac{3}{4} \times 6\frac{1}{2}$



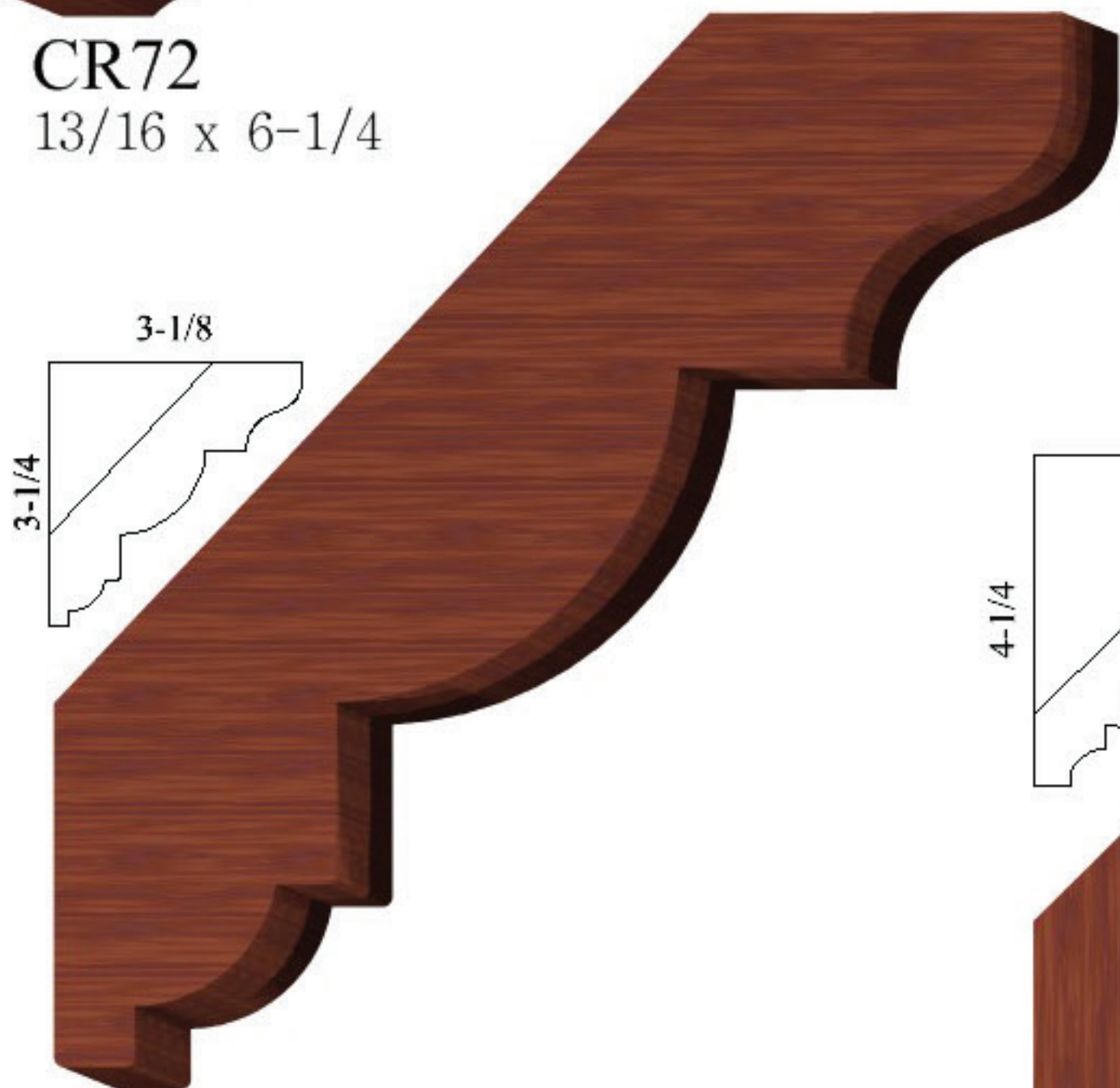
**CR38**  
 $\frac{3}{4} \times 5\frac{9}{16}$



**CR72**  
13/16 x 6-1/4



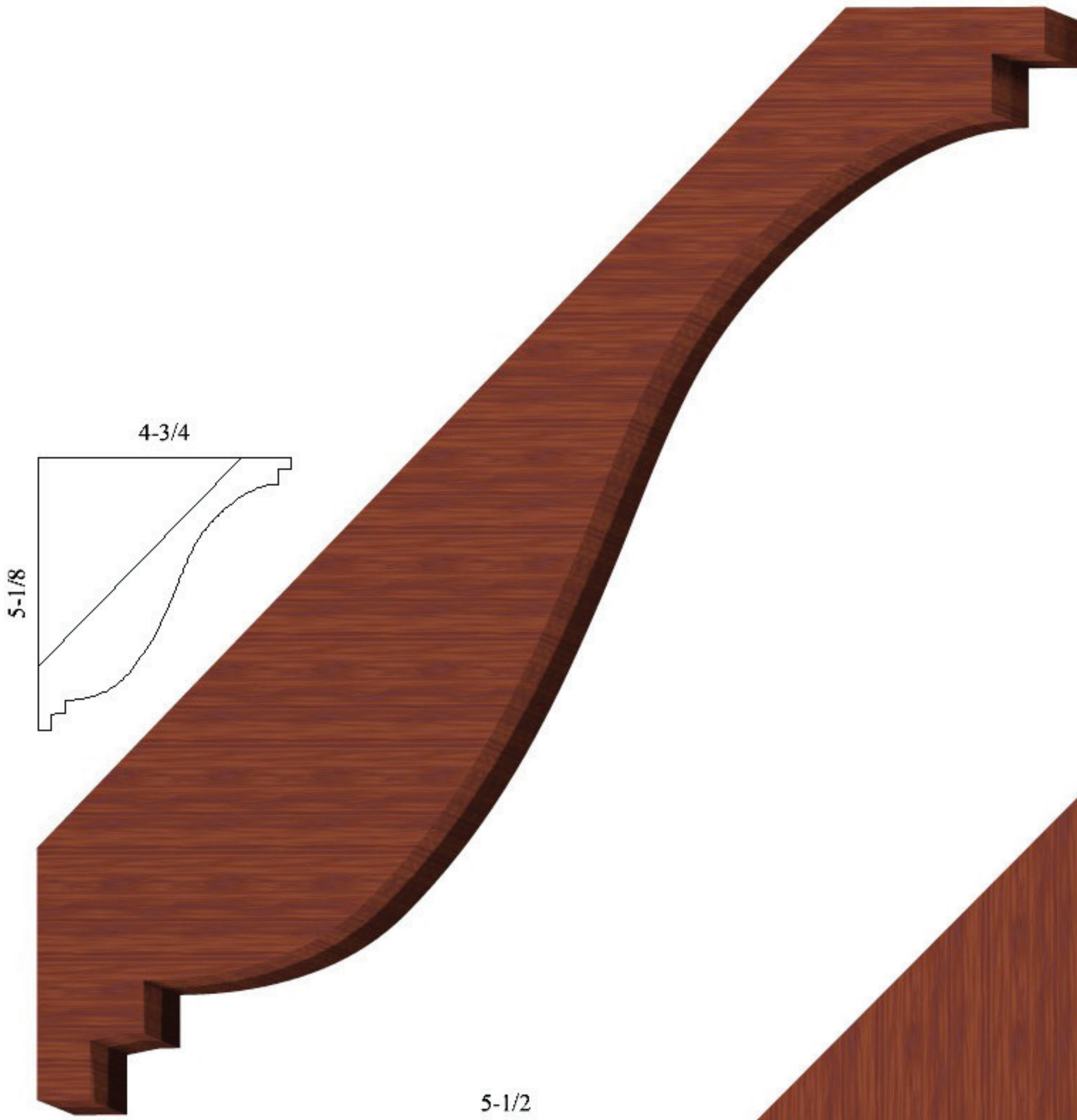
**CR94**  
3/4 x 4-7/8



**CR131**  
1/4 x 4-1/4



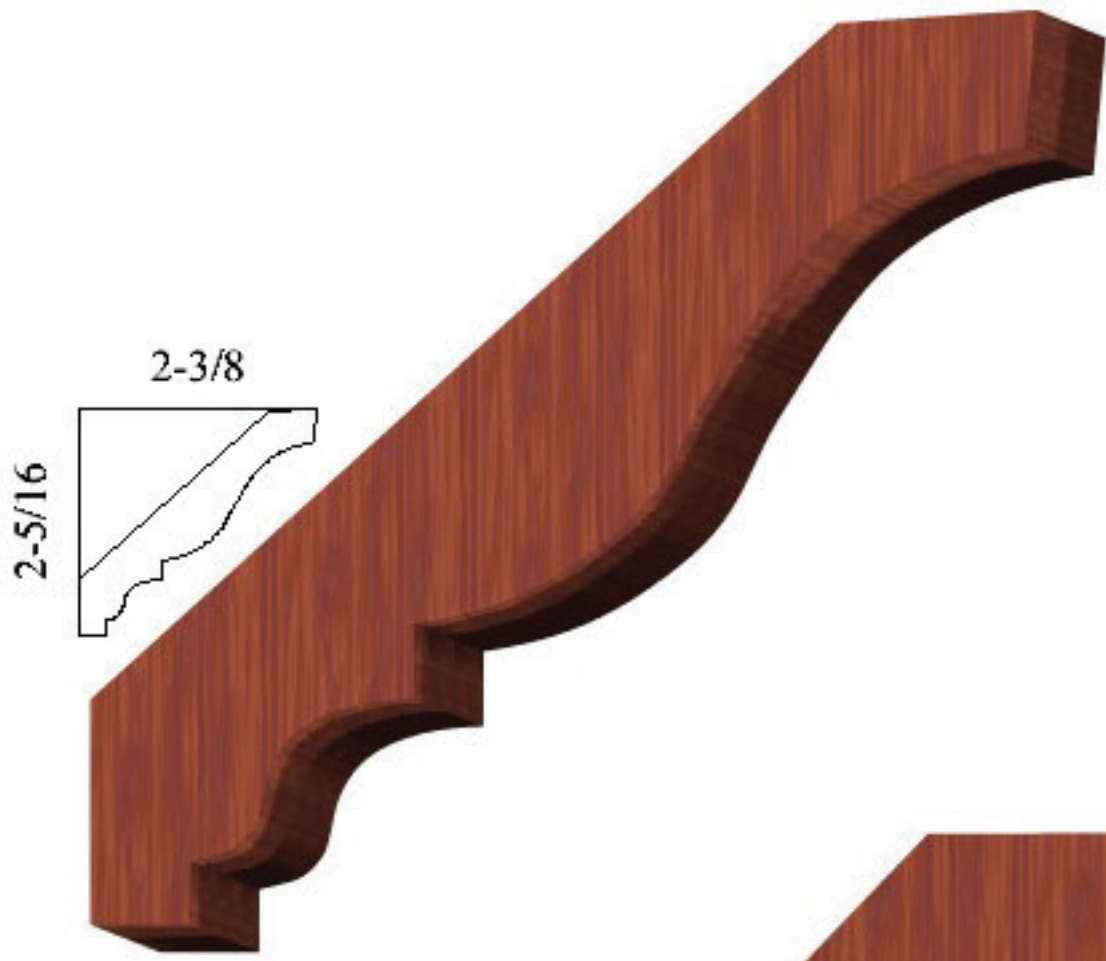
**CR195**  
15/16 x 5-3/4



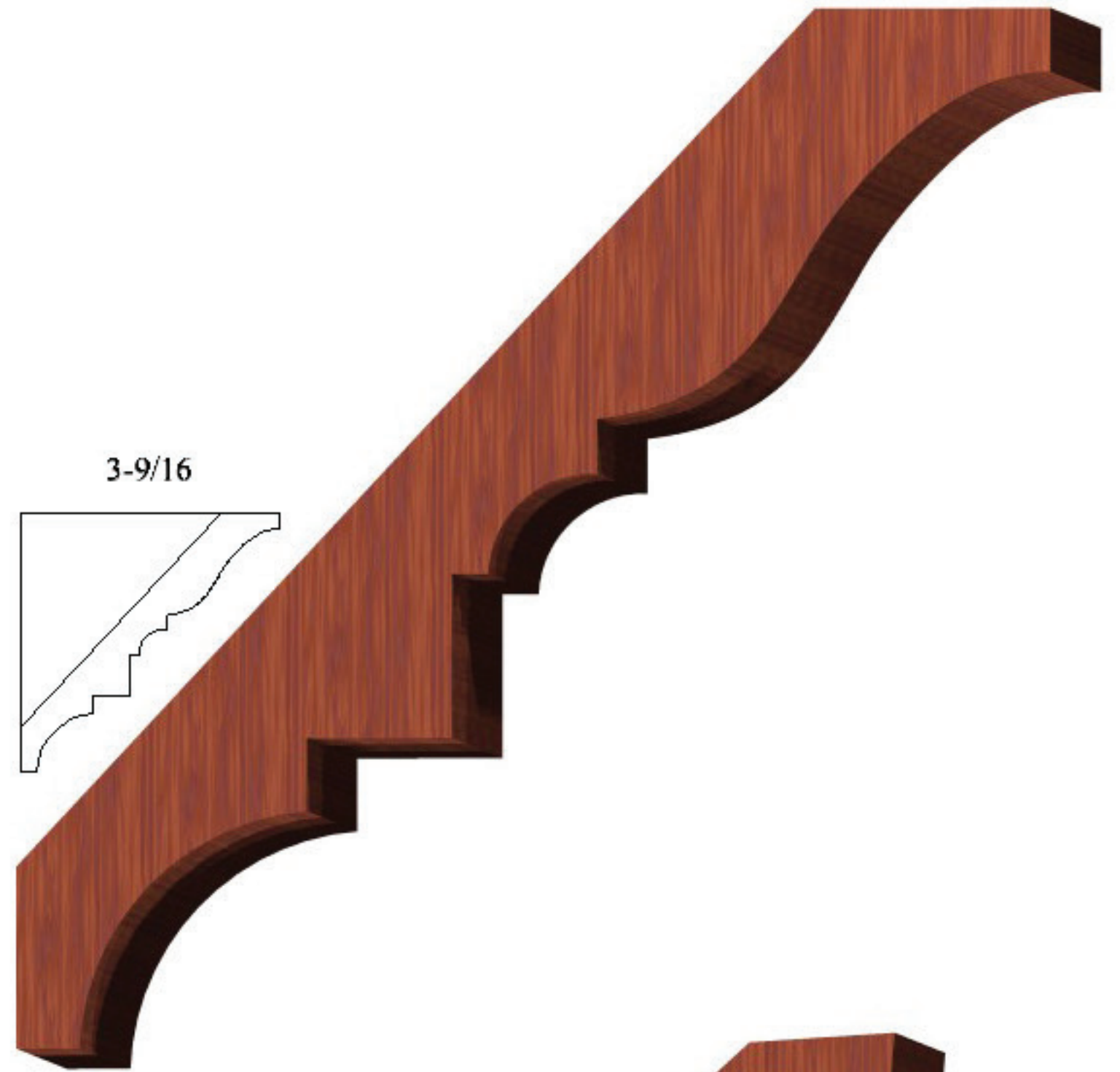
**CR101**  
1-3/8 x 7



**CR100**  
1-1/4 x 7-5/8



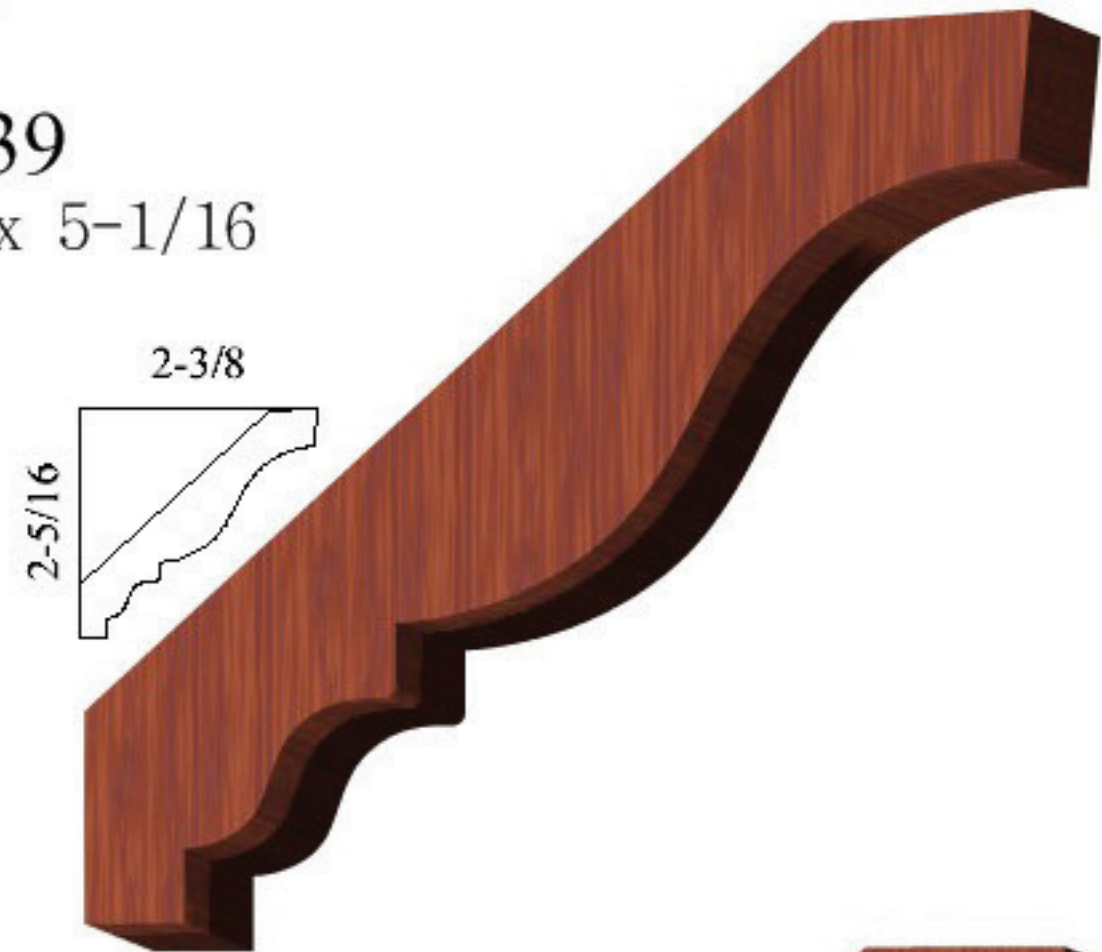
**CR12**  
5/8 x 3-5/16



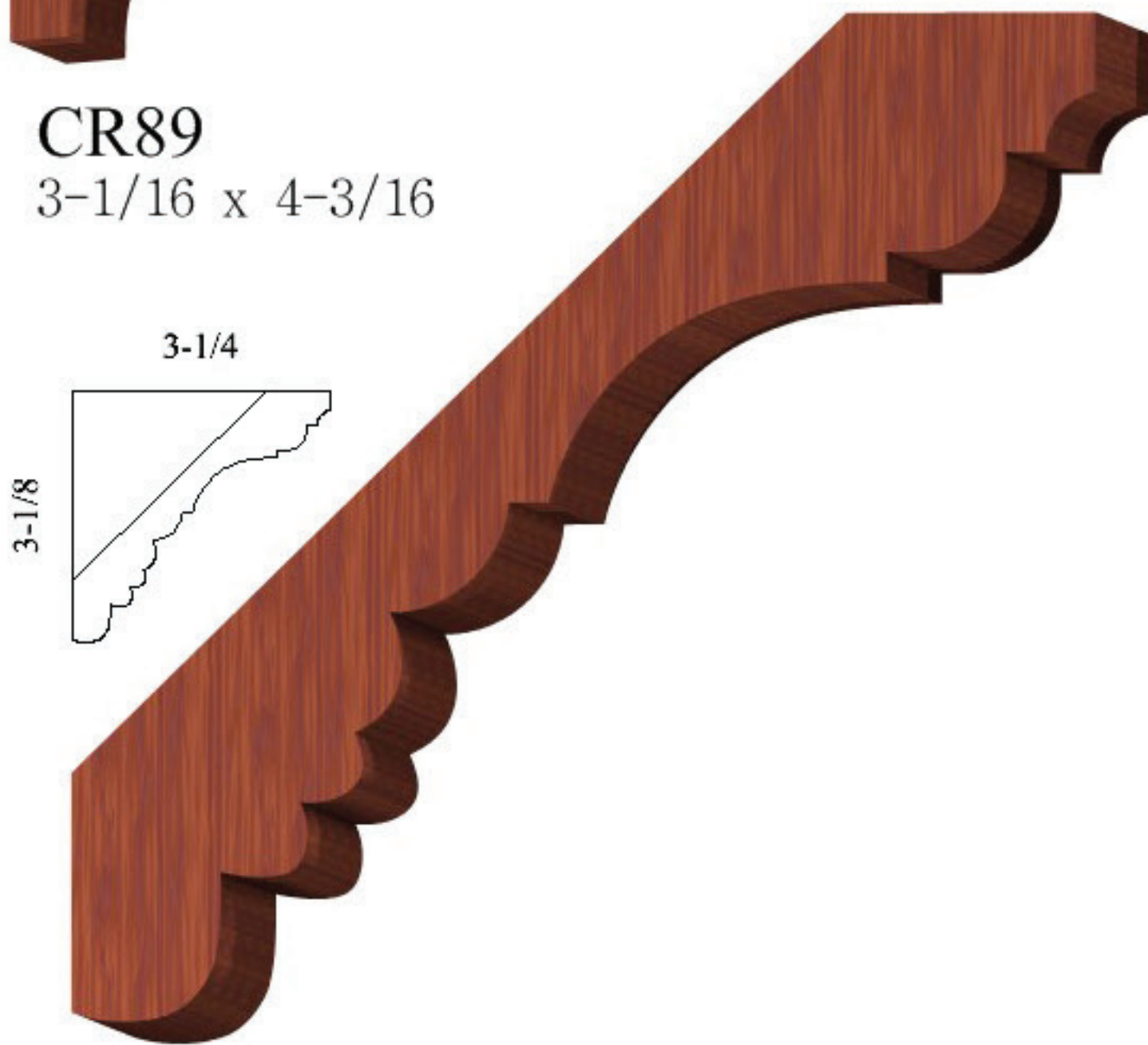
**CR39**  
5/8 x 5-1/16



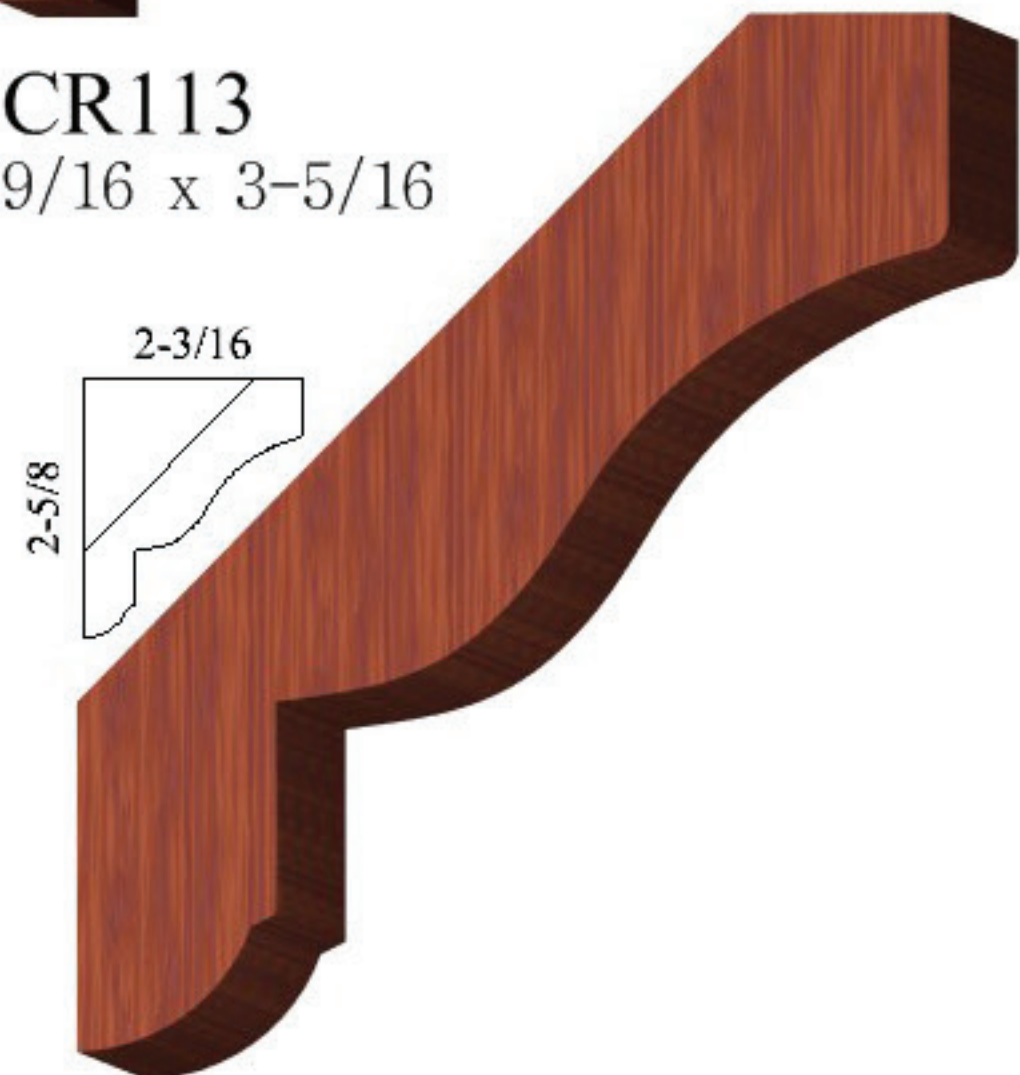
**CR89**  
3-1/16 x 4-3/16



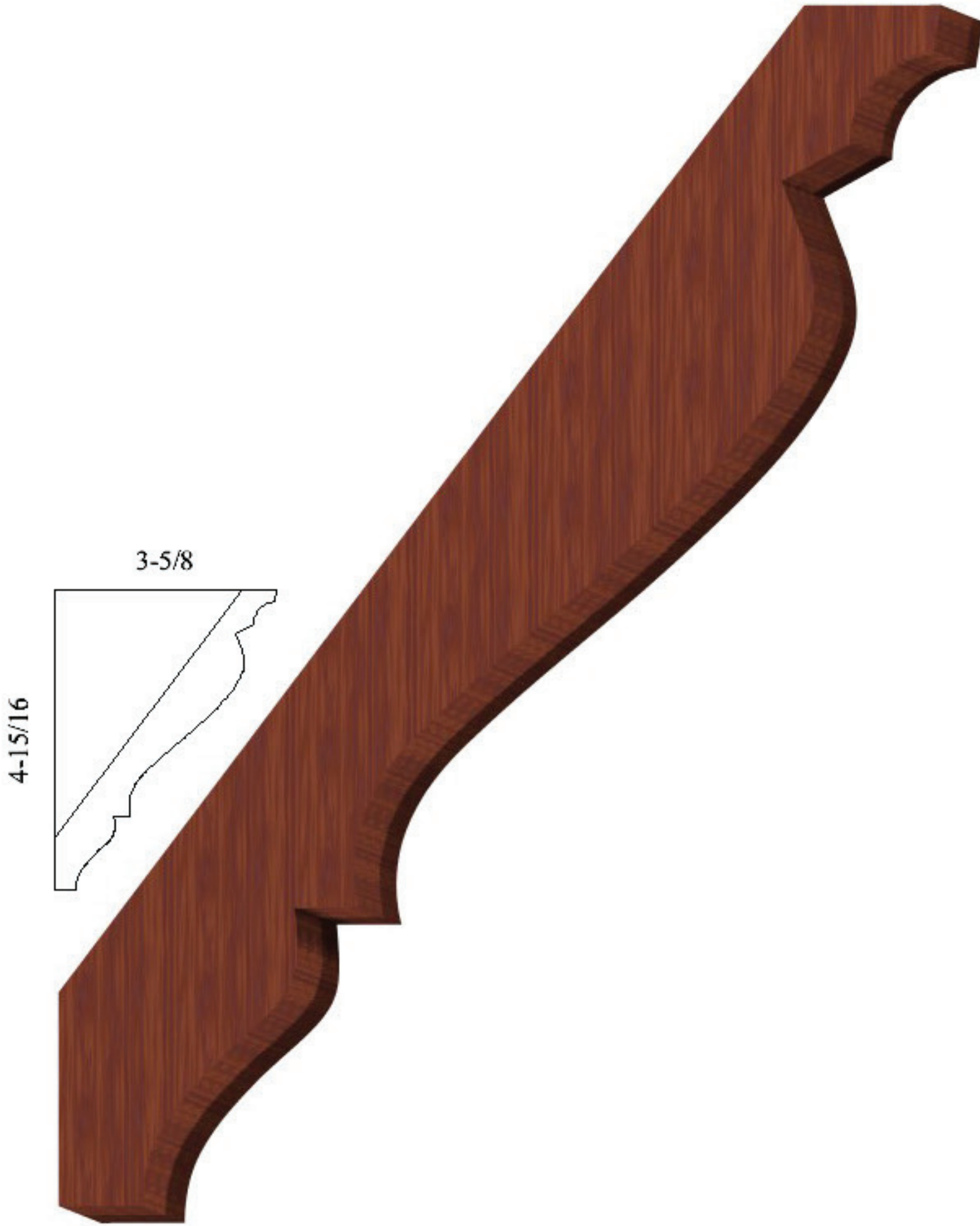
**CR113**  
9/16 x 3-5/16



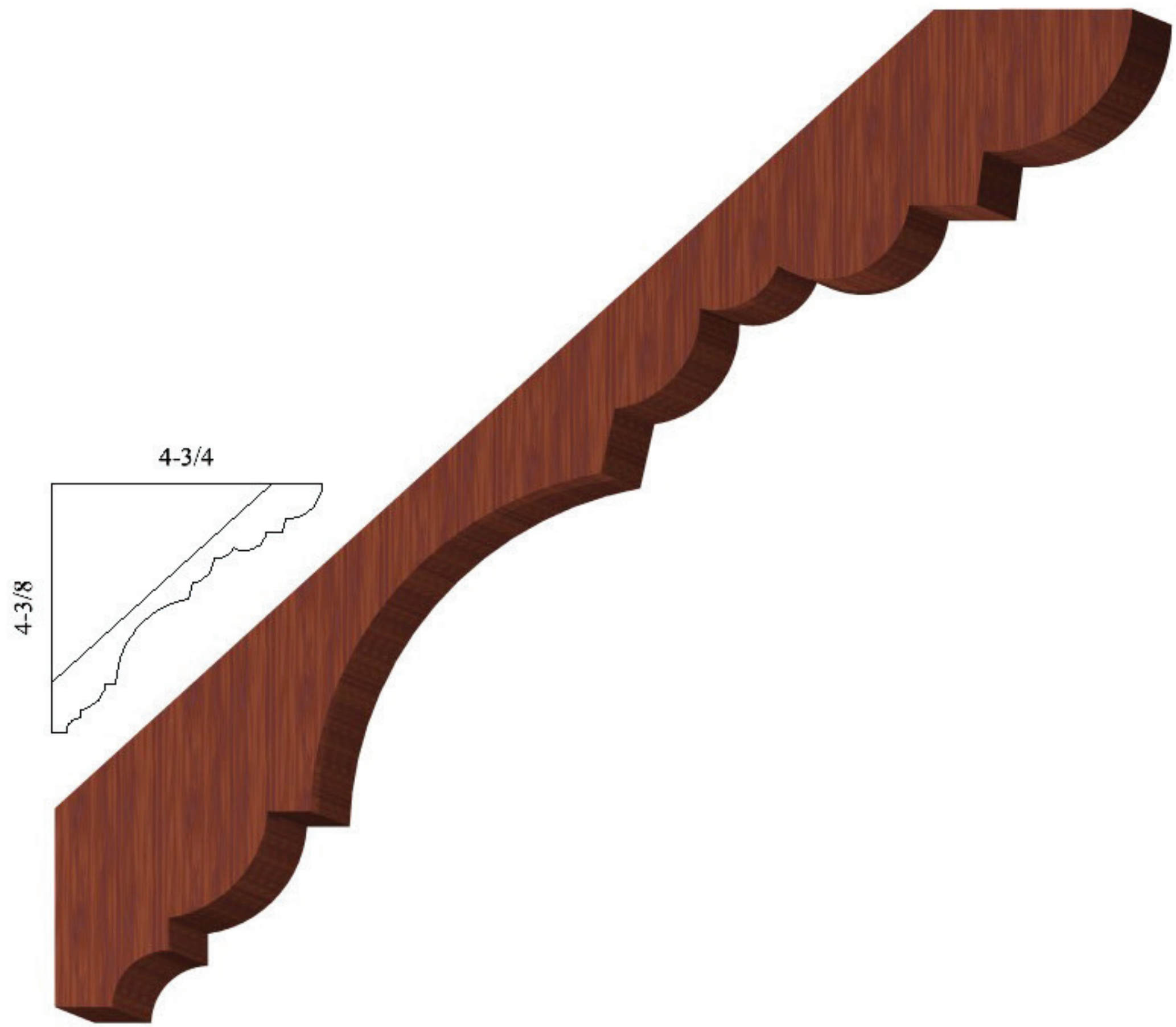
**CR01**  
3/4 x 4-1/2



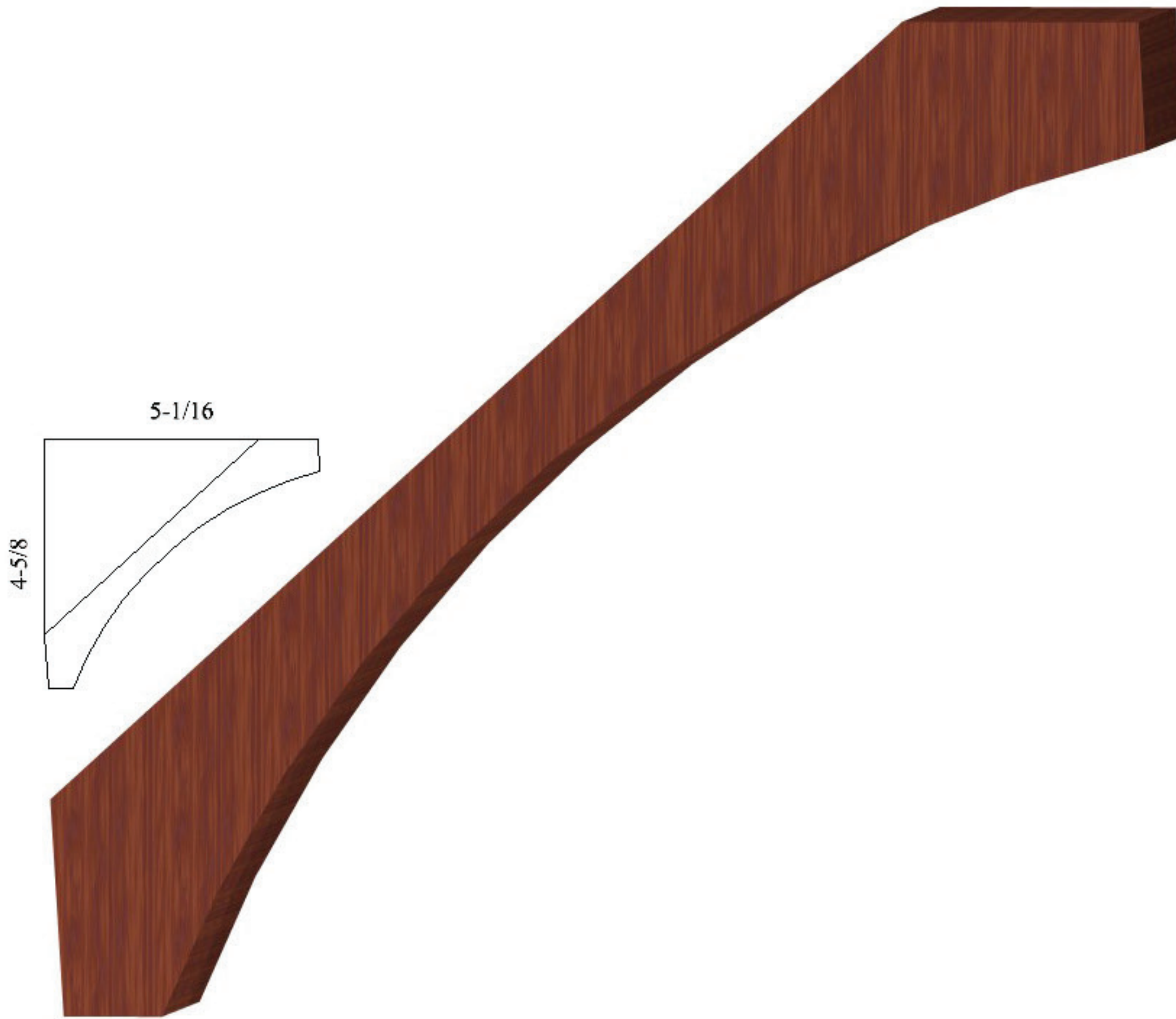
**CR188**  
5/8 x 3-13/16



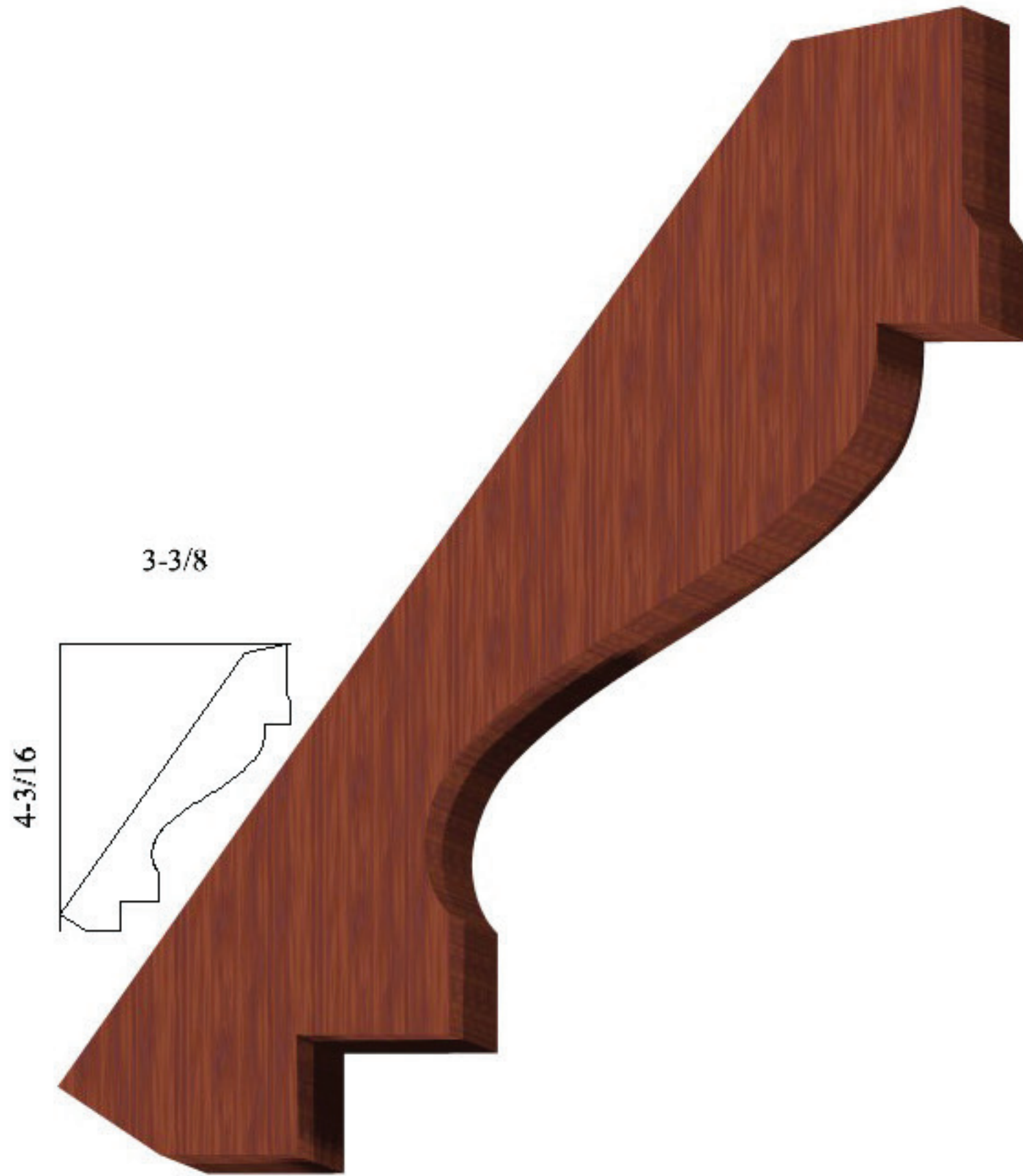
**CR170**  
 $7/8 \times 6-1/8$



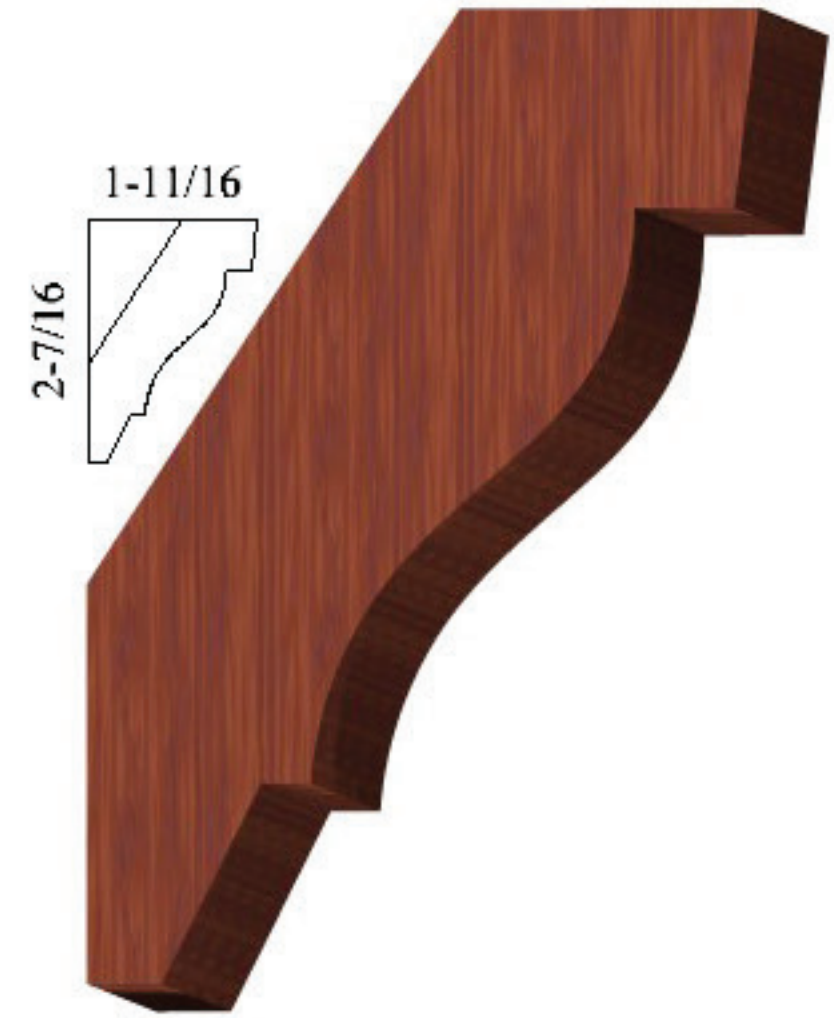
**CR78**  
 $3/4 \times 6-1/2$



**CR186**  
1-1/4 x 6-13/16



**CR102**  
1 x 5-3/16



**CR122**  
3/4 x 2-15/16



**CR143**  
1/2 x 5/8



**CR144**  
5/8 x 5/8



**CR145**  
1/2 x 5/8



**CR211**  
1-3/8 x 4-3/8



**CR139**  
3/4 x 3