



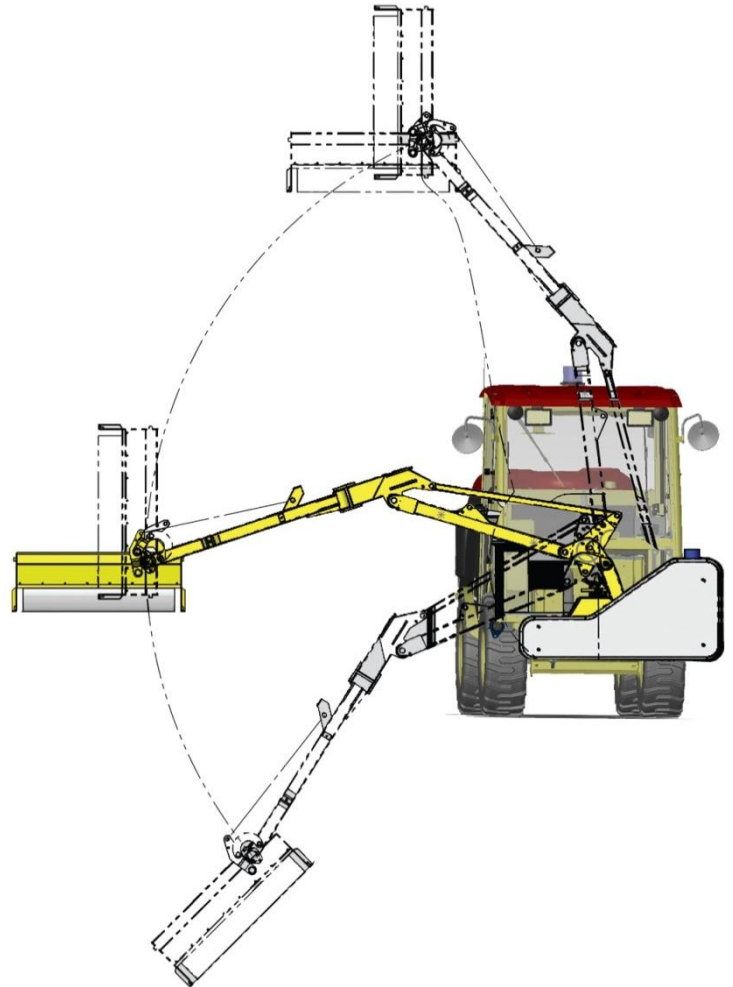
# MacLean Boom Flail Mower

MacLean Boom Flail Mower Specifications	
Model	McConnell PA4330
Flail Head Model	1.2m Heavy Duty Flailhead
Reach	4.3m (approximately 14')
Cutting Head Width	1.2m (approximately 4')
Oil Tank Capacity	80L (21.1 US Gal)
Number of Cutting Blades	24

Features
<ul style="list-style-type: none"> <li>• 4.3m reach</li> <li>• Low power requirement</li> <li>• Parallel arm geometry</li> <li>• Hydraulic floatation accumulator for cutting head</li> <li>• Hydraulic safety breakaway</li> <li>• Replaceable skid shoes</li> <li>• Storage support legs</li> <li>• Operator friendly controls</li> </ul>

Applications
<ul style="list-style-type: none"> <li>• Ditch Mowing</li> <li>• Over-Guardrail Mowing</li> <li>• Slope Mowing</li> <li>• Boulevard Mowing</li> <li>• Hedge Trimming</li> </ul>

Requirements
<ul style="list-style-type: none"> <li>• Turf Tires</li> <li>• Frame Weight Kit</li> <li>• Lexan Glass Kit</li> </ul>



[www.macleanmv.com](http://www.macleanmv.com)