



STIRWAY II

MANUAL SUPPLEMENT

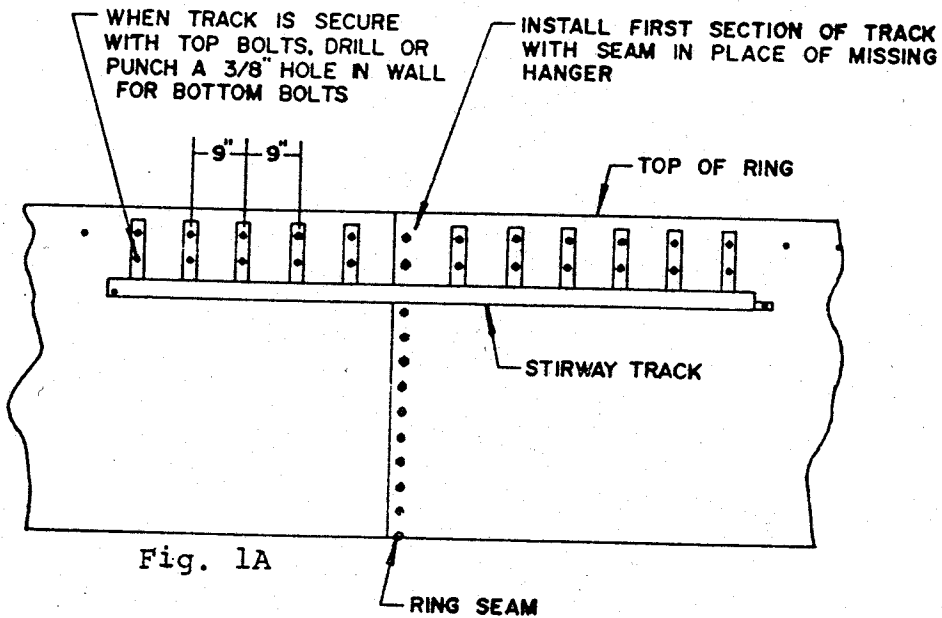
**SUKUP MFG. CO.
SHEFFIELD, IOWA 50475**

511678

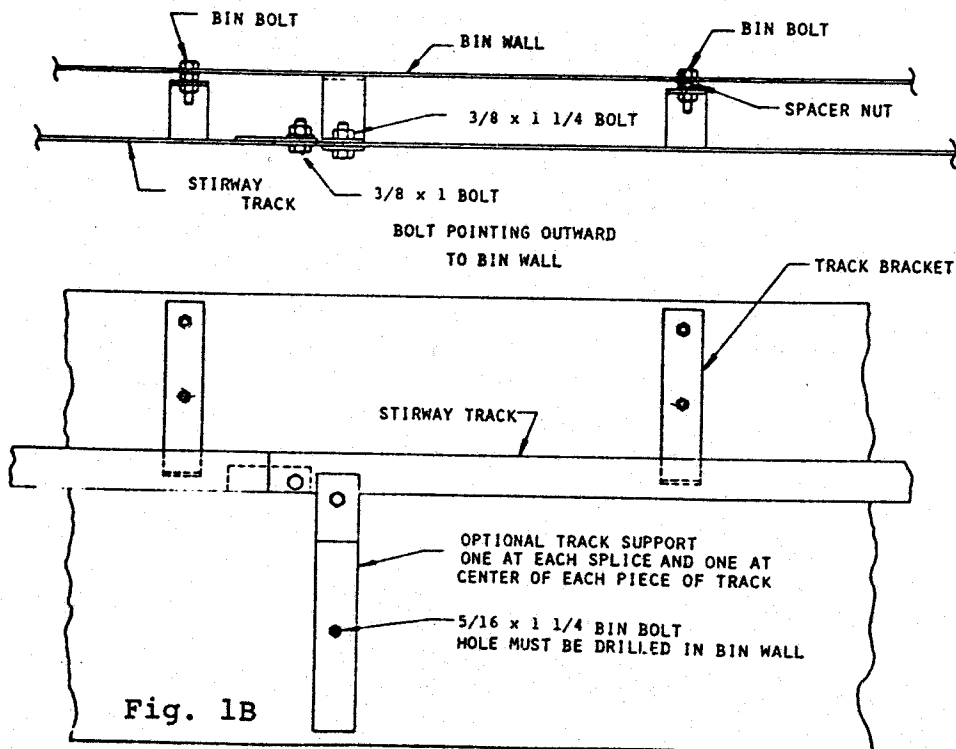
This Stirway II Supplement is to be used with the Stirway Installation & Operation Manual.

INSTALLATION

1. Install track at top of bin as shown in Figs. 1A and 1B in this supplement. For bins 30' and larger, Fig. 1A applies; for bins smaller than 30', Fig. 1B applies.



For added strength, each track bracket should be bolted in the two holes provided. The top hole will align with bin bolts, the second hole must be drilled through bin sheet using bracket as pattern. MAKE SURE THAT 3/8 x 1 BOLTS (WHICH CONNECT TRACK SEGMENTS) ARE MOUNTED POINTING OUTWARD TOWARD BIN WALL TO AVOID OBSTRUCTING CROSS TUBE.



2. Assemble machine as described on pages 5-7 of the Stirway manual.
3. Bolt outer heavy duty gear motor and frame onto outer carriage as shown on Fig. 2. Align sprocket on gear motor with sprocket on cross tube. Attach chain and check that it is tight.

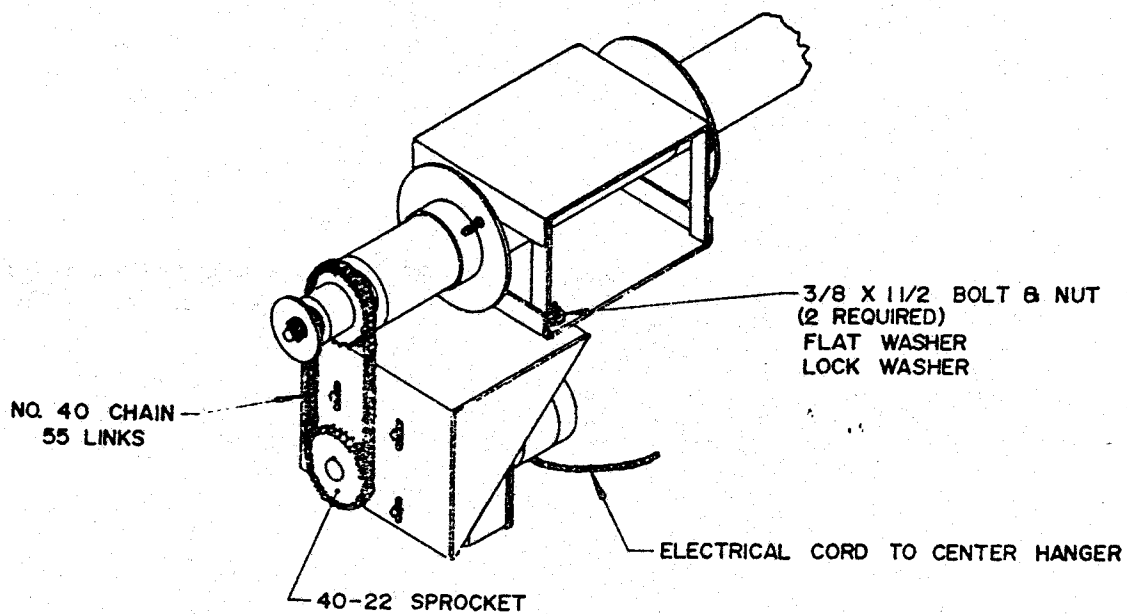
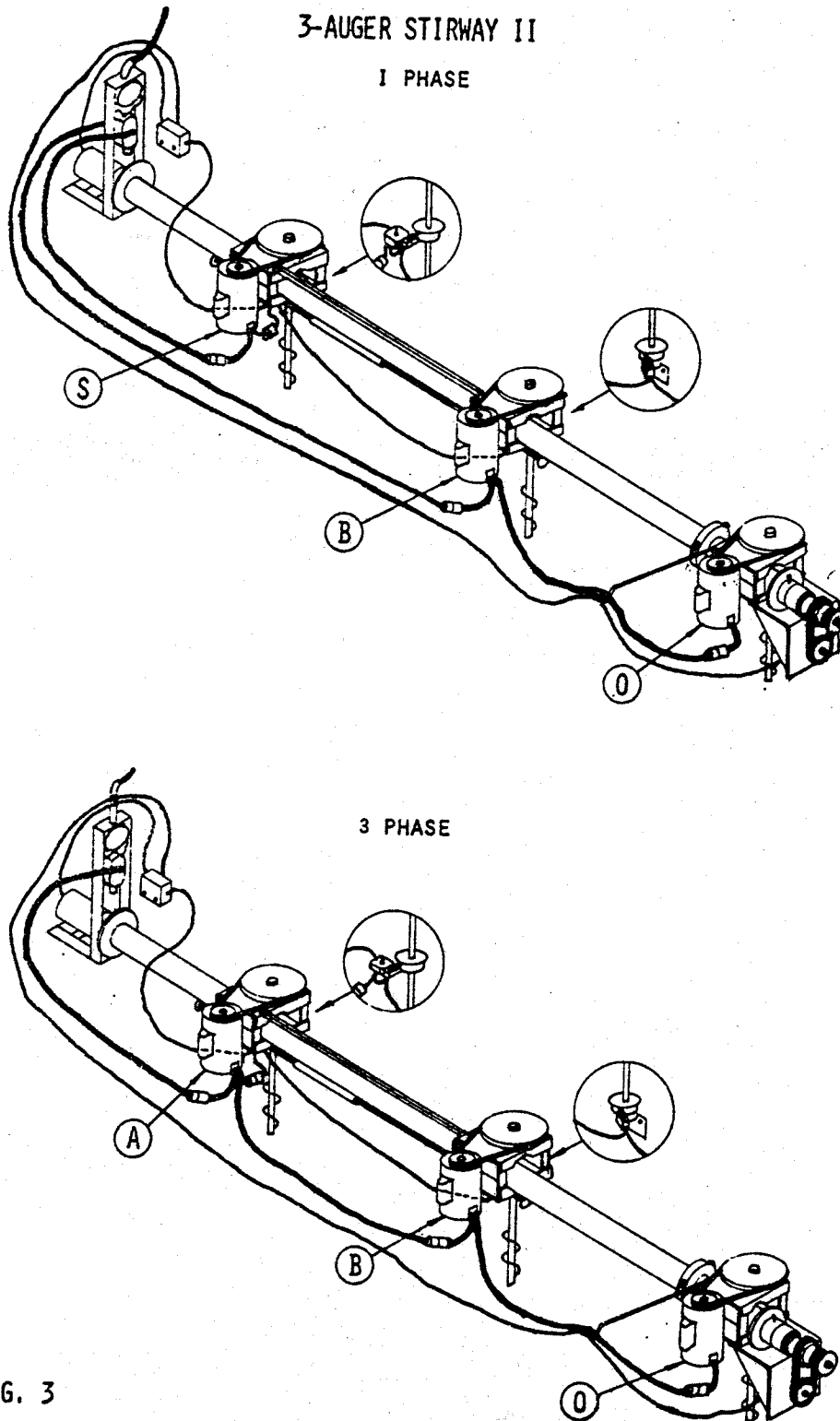


Fig. 2

4. Install down augers as described on page 10 of manual. A centrifugal switch casting will be installed on each down auger EXCEPT the outer one, which will have a mercury switch. Mount castings as shown on page 16 of manual.
5. Mount and connect $1\frac{1}{2}$ h.p. motors as described on page 10 of manual and Figs. 3-5 of this supplement.



4-AUGER STIRWAY II

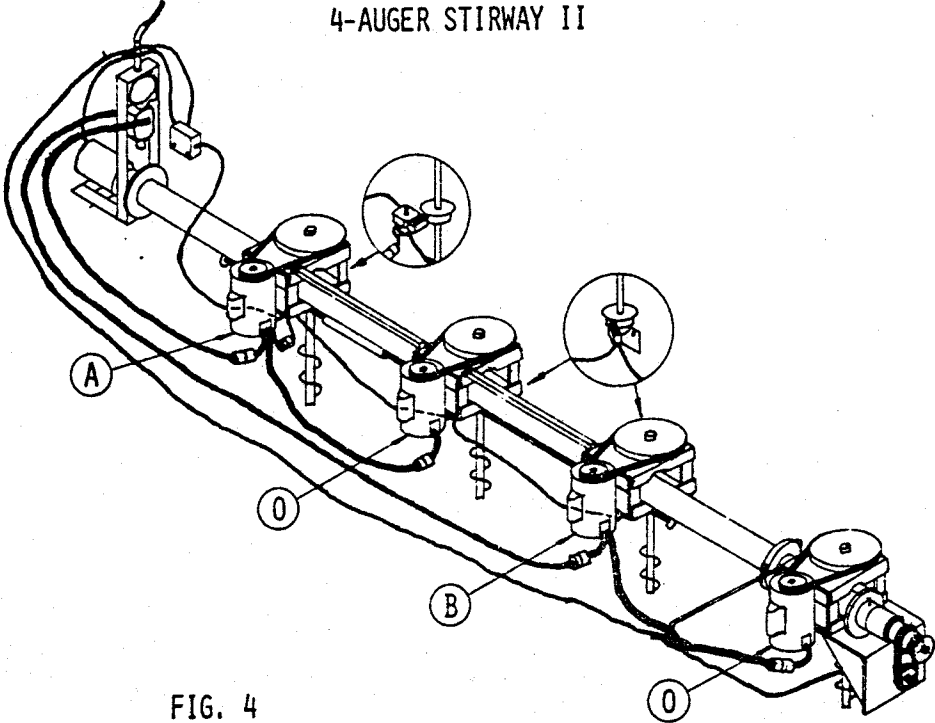


FIG. 4

5-AUGER STIRWAY II

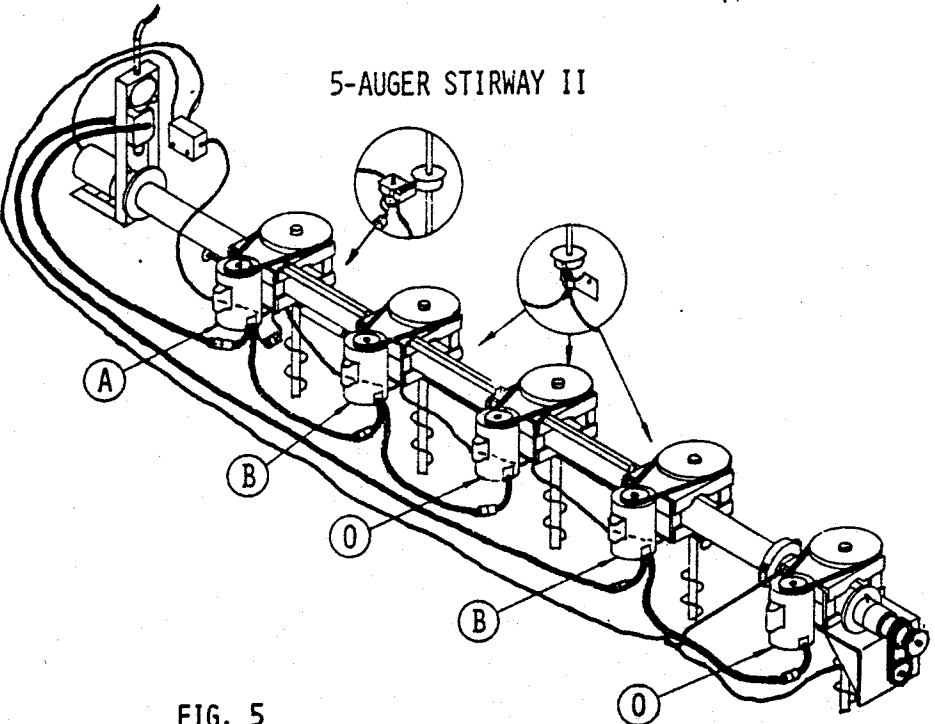


FIG. 5

- 147
6. A. Bolt reversing switch to inside carriage near the center of bin as shown on Fig. 6.
 - B. Mount sail switches onto middle carriages as shown on page 15 of manual and Figs. 3-5 of this supplement.
 - C. NOTE: Mercury switch is mounted inside the outer gear motor and factory-set at desired angle.

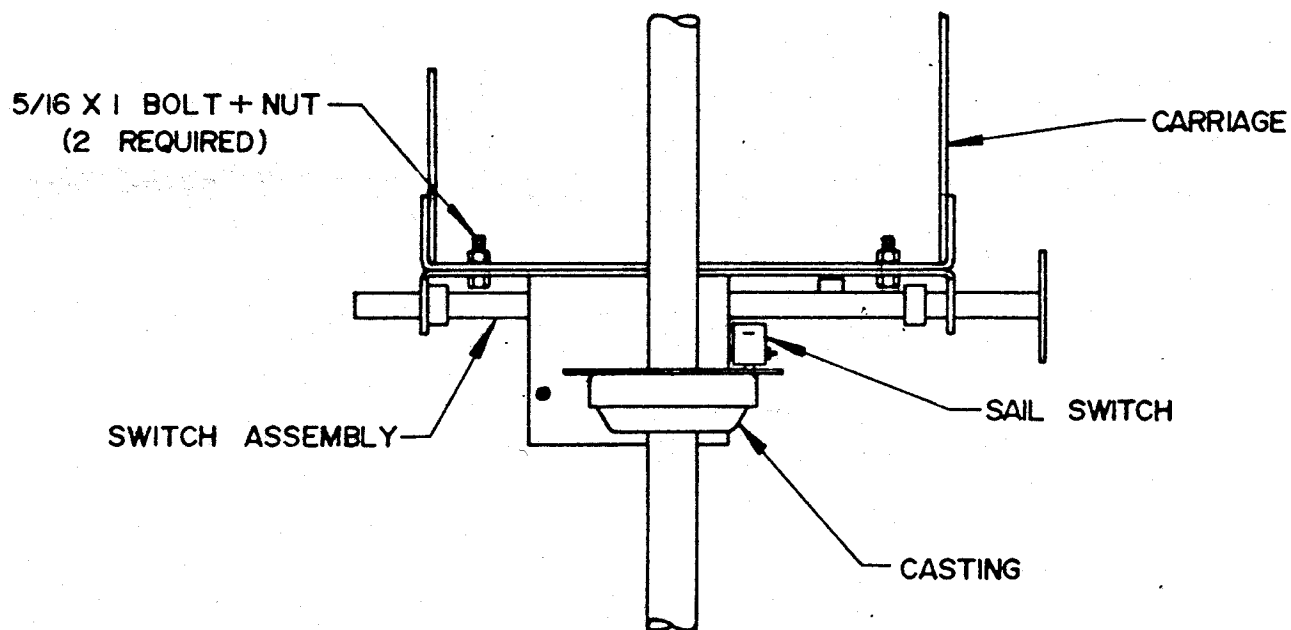


Fig. 6

7. Connect reversing switch and sail switch as shown in Fig. 7.

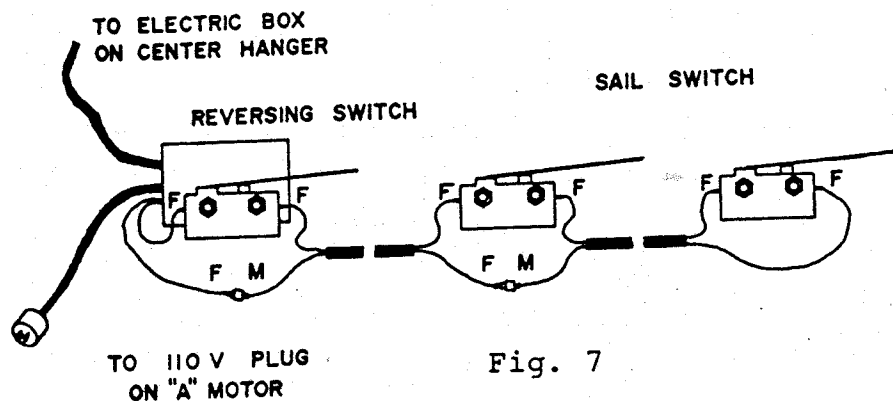


Fig. 7

8. Place one capacitor in electrical box on center hanger. Wire according to Fig. 8 of supplement. (Capacitor for outer gear motor is mounted inside motor frame.)

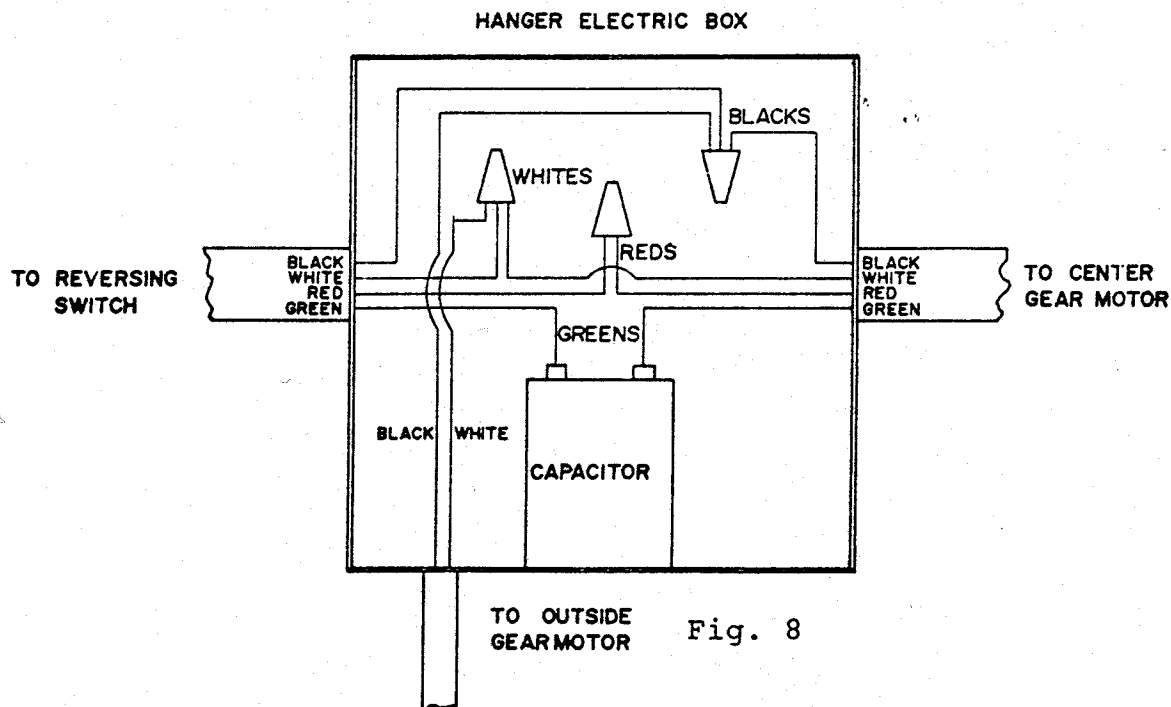
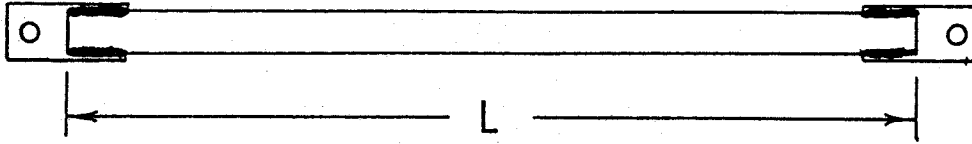


Fig. 8

9. Tape cords together and onto hangers so that they do not fall into the grain.
10. When installing unit, make sure that chains are wrapped around A-hangers as shown on page 18 of manual.

STIRWAY II SWITCH FRAME LENGTHS



STIRWAY II SWITCH FRAME LENGTHS			
BIN DIA.	3-AUGERS	4-AUGERS	5-AUGERS
	L (IN.)	L (IN.)	L (IN.)
18'	24"		
18' 7"	24"		
21'	33"		
21' 8"	33"		
24'		24"	
24' 8"		24"	
27'		30"	
27' 10"		30"	
30'		36"	
31'		36"	
33'		42"	
34'		44"	
36'		48"	
37' 1"		48"	
40'			40"
42'			44"
48'			52"