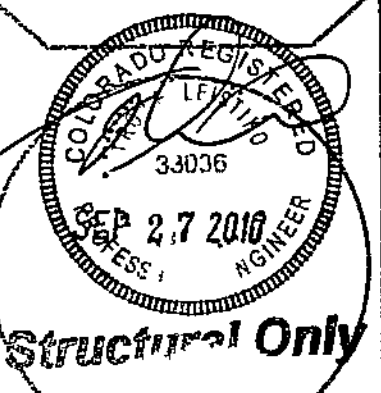
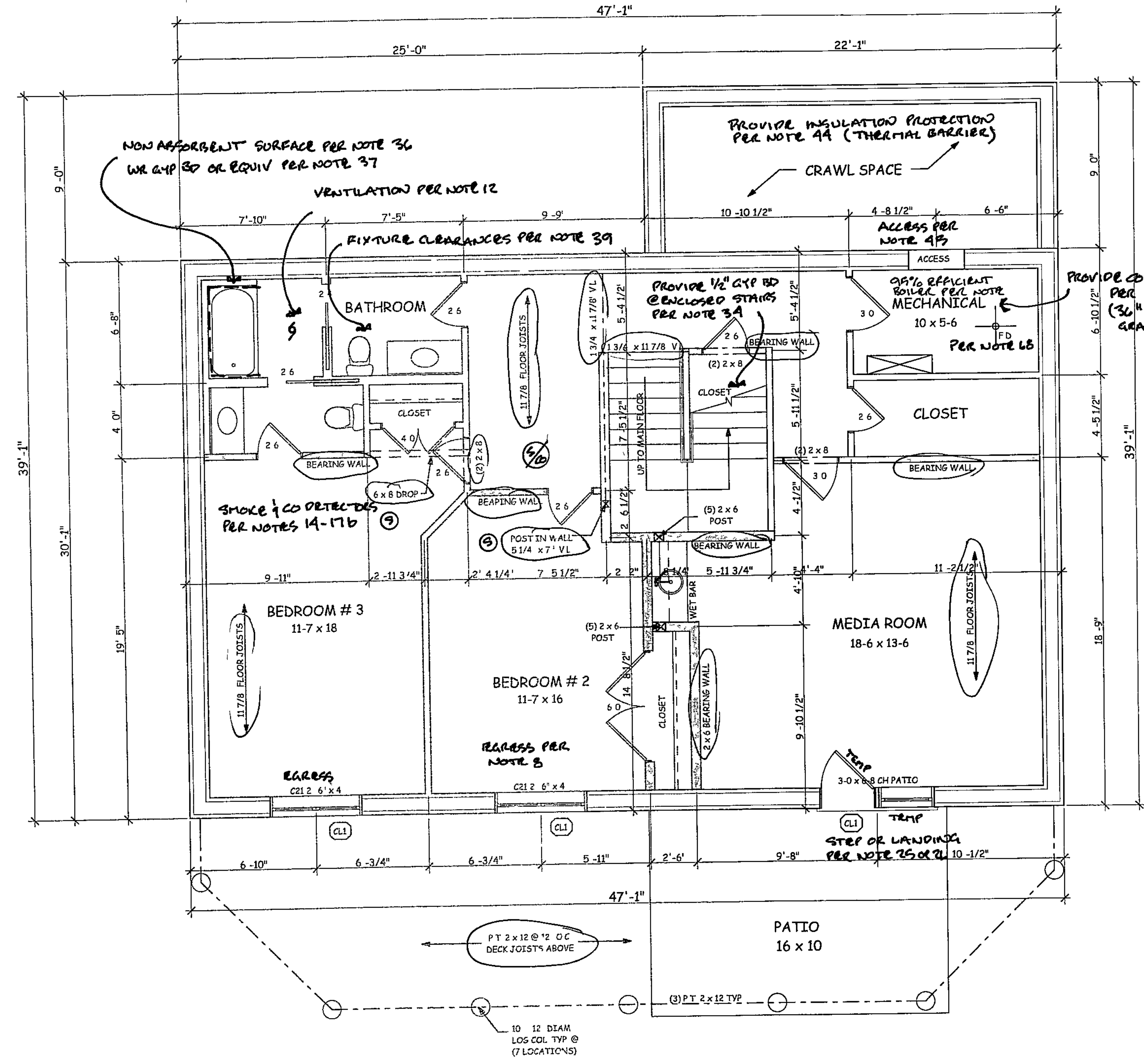


NOTE
ALTHOUGH GREAT CARE AND EFFORT HAVE GONE INTO THIS PLAN TO CREATE A PRECISE INTERPRETATION OF THE FINISHED PROJECT, IT IS IMPOSSIBLE TO GUARANTEE THAT THIS PLAN IS WITHOUT IMPERFECTIONS, THEREFORE PRECISION PLAN DESIGN OR RICK LAMBERT ASSUMES NO LIABILITY FOR ANY PROJECT CONSTRUCTED FROM THIS PLAN, BUILDER / OWNER VERIFY ALL DIMENSIONS, PLANS SUBJECT TO CHANGE PER ENGINEER OR LOCAL CODES



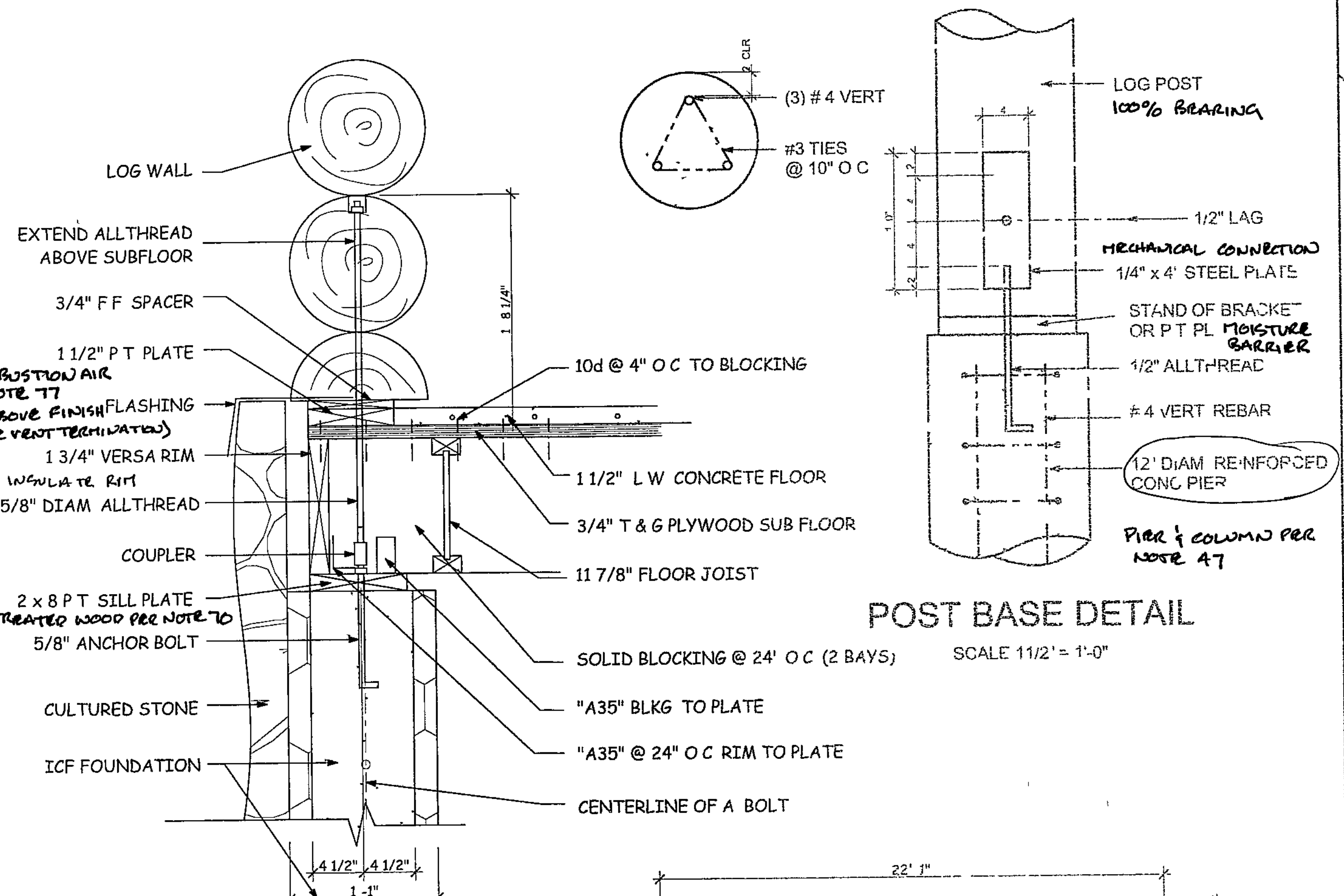
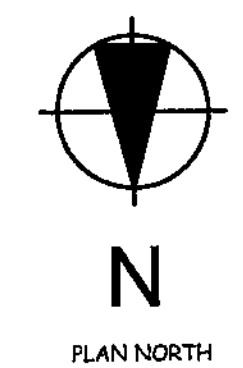
PRECISION PLAN AND DESIGN, INC.
CUSTOM PLAN SERVICE
(307) 587-6927 (307) 272-5709
930 12th Street
Cody, Wyoming 82414
Rick Lambert
Member
ILBA no 1271

SHEET #
A2
BASEMENT
SCALE AS NOTED
09/24/2010
REV 19/D (3)

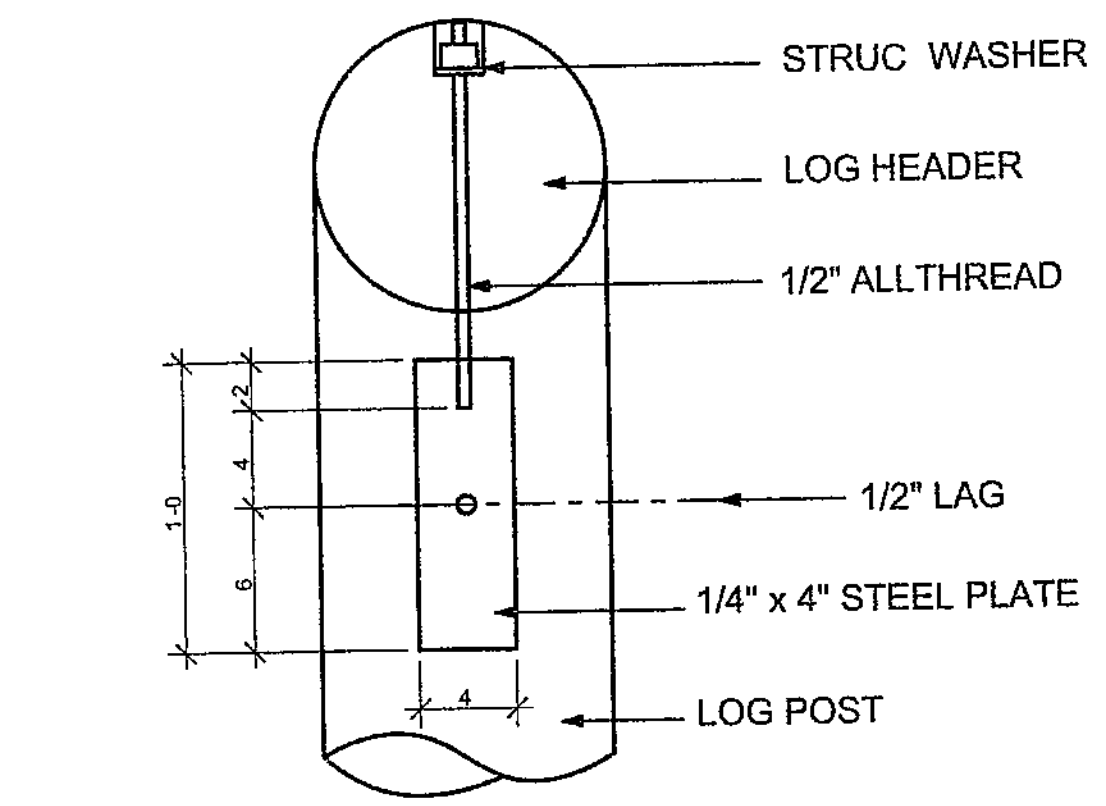


LOWER LEVEL = 1,410 S.F.
SCALE 1/4" = 1'-0"

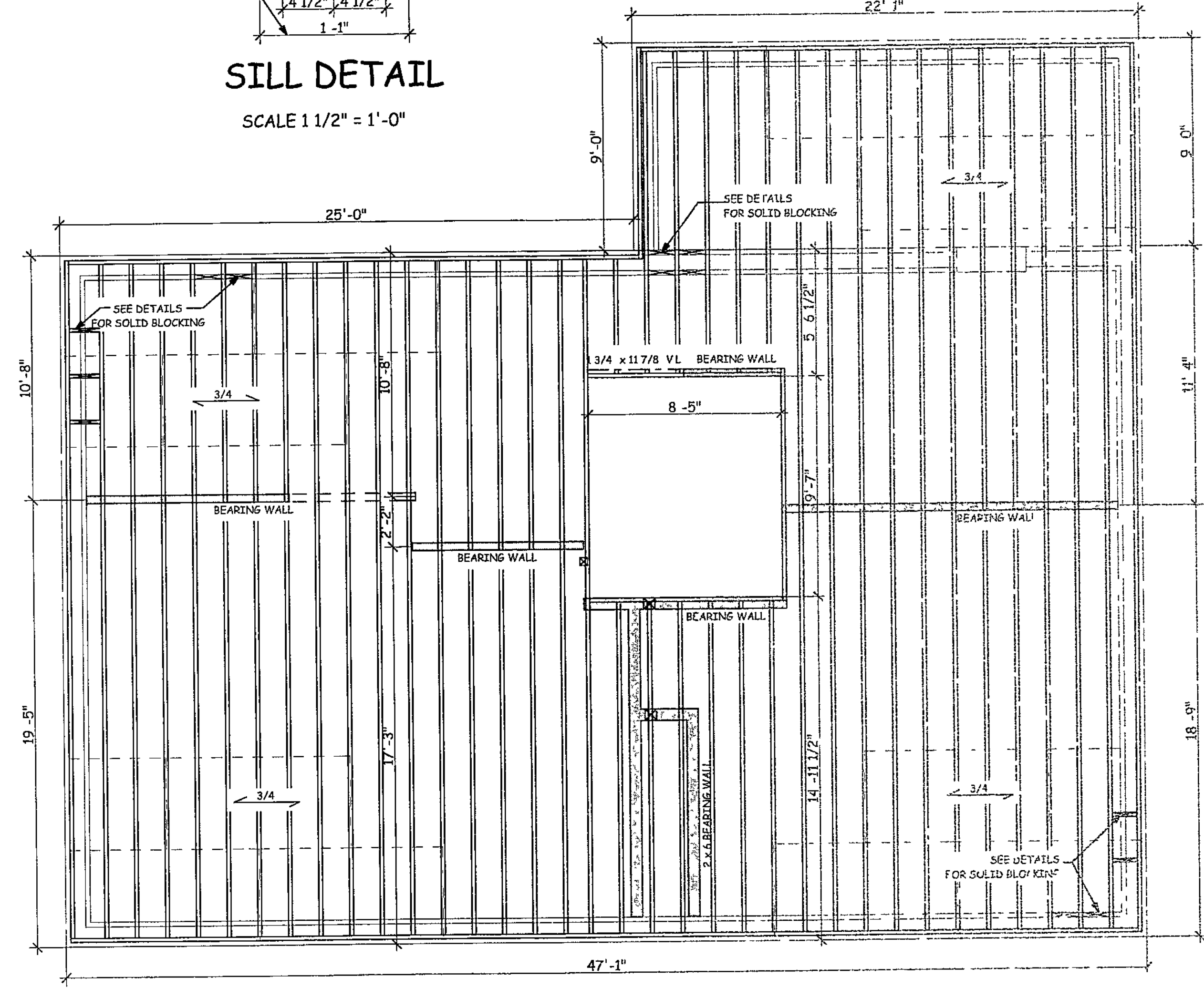
- PLAN NOTES
- 1) 11 7/8" BCI 5000 17 DF @ 16" O C OR EQUAL
 - 2) JOISTS SHALL BE CONTINUOUS OVER SUPPORTS UNLESS SHOWN OTHERWISE
 - 3) $\frac{3}{4}$ INDICATES SPAN DIRECTION OF 3/4" T & G PLYWOOD SUBFLOOR
- (CL1) CONCRETE LINTEL
8 x 18
(2) #5 TOP & BOT EXTENDED 24 PAST CORN
#5 VERTS @ 16" O C



SILL DETAIL
SCALE 1 1/2" = 1'-0"



COLUMN TO HEADER DETAIL
SCALE 1 1/2" = 1'-0"



FLOOR JOIST / SUB FLOOR
SCALE 1/4" = 1'-0"