

TRANSIT™

High Performance Wireless Speaker

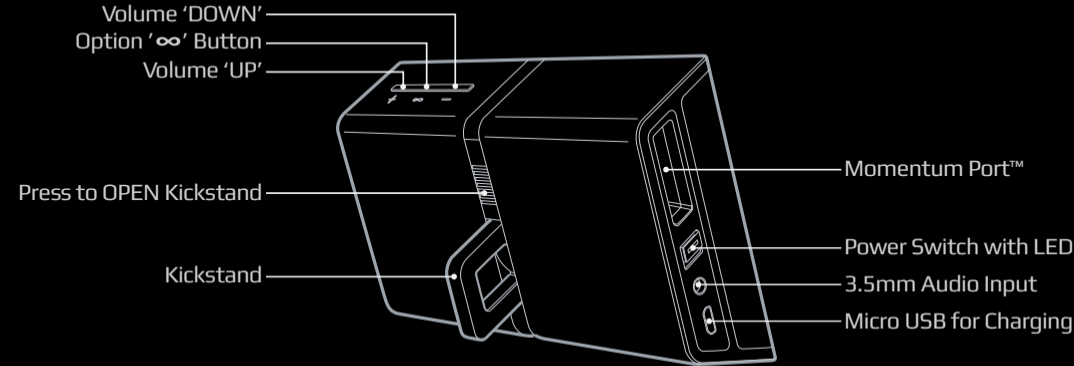
by **SOEN™**

User Guide / Guía del Usuario / Guide de l'Utilisateur

ENGLISH	3
ESPAÑOL	27
FRANÇAIS	51

ENGLISH

ABOUT	5
SETUP	9
INFO	13
HELP	17
SPECS	19
SAFETY	21
REGULATIONS	25



TRANSIT™

The Ultimate Portable Speaker – Timeless Design & Unmatched Sonic Performance.

PORTABLE HIGH PERFORMANCE

TRANSIT provides amazing room filling sound usually produced by speakers several times larger. Whether on the road or on your nightstand, its portable size, stylish design and unmatched performance makes TRANSIT the perfect companion for modern lifestyles.

INCREDIBLE SOUND & WIRELESS FREEDOM!

TRANSIT utilizes the most advanced transducer and acoustic technologies available today. SOEN™ wizards have engineered the most compelling acoustic engine for high performance portable speakers. These exclusive SOEN transducers combined with our other groundbreaking technologies including the revolutionary Momentum Port™ provide rich and vibrant sound with thumping bass!

ABOUT SOEN AUDIO

SOEN was founded in California by industry leading designers, engineers and craftsmen, brought together by their passions to create the world's finest audio products. We are committed to continuously push the frontiers of acoustics and bring you many more amazing products in future. The SOEN team thanks you for choosing TRANSIT and hopes that you will enjoy it for years to come!

FOR MORE INFO

Learn more about our latest products and high-performance technologies online at: www.SoenAudio.com

JOIN THE SOEN™ TRIBE ON FACEBOOK

Keep in touch and stay informed about new SOEN™ products and member benefits available exclusively for our Facebook family: www.Facebook.com/SoenAudio

COMPATIBILITY

WIRELESS

TRANSIT works with any wireless Bluetooth® device profile 2.0 or above, including:

- Phones / Smartphones
- Tablets
- MP3 Players
- Computers equipped with Bluetooth® wireless stereo



NOTE: When the 3.5mm jack is plugged in Bluetooth® will be automatically turned off.

WIRED

TRANSIT will also work with any device that has a 3.5mm stereo output headphone jack.

PACKAGE CONTENTS

- TRANSIT Bluetooth® Wireless Speaker
- Fold Flat MagPro™ Protective Cover
- Long-Life Rechargeable Battery
- Compact Wall Charger
- 36" (91cm) USB Charging Cable
- 36" (91cm) 3.5mm Stereo Audio Cable

POWER SWITCH LED LIGHT

- **White:** Power is ON.
- **Red:** Battery Needs to be charged.
- **Purple:** Battery is charging.
- **Blue Flashing:** Searching for previously connected Bluetooth® device, or in pairing mode.
- **Brief Green Flashing:** TRANSIT is plugged and switched 'OFF' indicating the battery is fully charged.
- **Brief Purple Flashing:** TRANSIT is plugged and switched 'OFF' indicating the battery is charging.

CONNECT TO YOUR BLUETOOTH® DEVICE



Watch quick & easy setup videos for some of the most popular smartphones and tablets online at www.SoenAudio.com

Scan the QR code for direct access to the setup videos online.

1. Switch TRANSIT 'ON'.

TRANSIT comes partially charged and ready to use right out of the box. Just switch it 'ON'. If the light is **RED** or does not come 'ON' plug the TRANSIT in using the included USB cable and charger. No damage will occur to the speaker or battery if used before full charge.

2. Press-and-hold the Option button '∞' until TRANSIT begins emitting the Bluetooth® pairing tone. The LED light on the switch will begin flashing blue indicating TRANSIT is in Bluetooth® pairing mode and available to connect with your Bluetooth® device. **NOTE:** while in Bluetooth® pairing mode, TRANSIT will emit the Bluetooth® pairing tone every 3 seconds.

3. On the phone or device you are connecting, access the Bluetooth® settings, turn Bluetooth® 'ON', then 'Add' or 'Search' for devices. When "TRANSIT" appears in the device list, select it. If a passcode is required, enter "0000". Once TRANSIT connects, it will beep twice and the blue flashing light will turn white. Time to Rock!

For additional Bluetooth® setup help, review the instruction manual that came with the device you are trying to connect.

NOTE: This is a one-time setup for each device you connect to TRANSIT. To pair TRANSIT with another device, repeat the steps above. TRANSIT will remember up to 8 devices. After pairing more than 8 devices, the 1st device will have to be paired with TRANSIT in order to connect with TRANSIT.

BLUETOOTH® AUTO-RECONNECT

For your convenience, TRANSIT remembers the devices that it pairs with, and will attempt to reconnect (for 15 seconds) to the last connected device every time it is turned 'ON'. If your device is out of range or has its Bluetooth® feature turned 'OFF', TRANSIT will not be able to re-connect automatically. If the device goes out of range or loses connection with TRANSIT, you can easily reconnect by pressing any button.

PLAY AUDIO USING THE 3.5MM CABLE

Connect the included 3.5mm stereo cable to any audio output device, and plug it into TRANSIT's '3.5mm Audio Input' jack.

NOTE: When the 3.5mm jack is plugged in Bluetooth® will be automatically turned off.

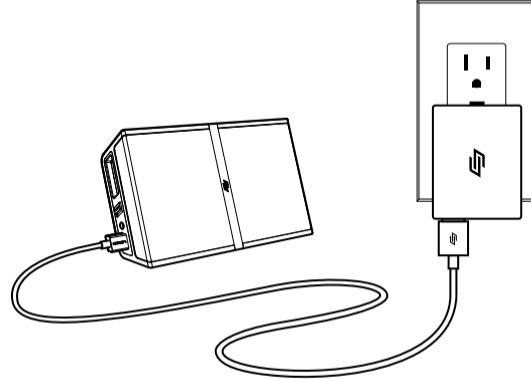
CHARGING & PLAY TIME

The TRANSIT long-life battery is charged with the included wall charger using the provided USB to micro USB cable.

- An empty battery takes between 2 to 3 hours to fully charge using the wall charger, and will last between 4 to 8 hours on a full charge (actual battery playtime depends on volume level and playback content).
- Battery can be charged with the TRANSIT switched ON or OFF.

On Apple® iOS Devices: The battery level of TRANSIT will be shown directly next to the battery level of your iPad® or iPhone®.

NOTE: The battery is not user replaceable.



AUTOMATIC 'SLEEP' MODE

To extend the battery playtime, TRANSIT automatically enters 'Sleep' mode if no Bluetooth® or wired audio is playing. To wake TRANSIT from the 'Sleep' mode, simply press any button and the system will restart. TRANSIT will then attempt to reconnect using Bluetooth®, or playback over the 3.5mm audio cable if it is plugged in.

PHONE CALLS

TRANSIT provides a great speaker phone experience for hands-free phone calls by utilizing an advanced integrated microphone and Precise Talk™ technology.

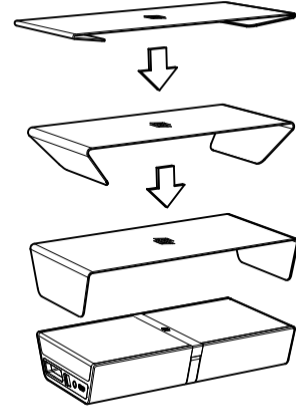
Accept Call or End Call: Press the Option button '∞' once.

Reject Call: Press and hold the Option button '∞' until the 'REJECT Call' tone is heard.

MAG-PRO™ COVER

The self-attaching MagPro™ Cover helps to protect TRANSIT when on the go, and folds flat for easy storage when not in use. The cover utilizes magnets to attach to the front and sides of TRANSIT.

To attach the cover, simply open the flaps, position it over the front and sides of the speaker grill and the magnets will hold the cover in place.



KICKSTAND

The flip-out Kickstand feature allows TRANSIT to fold flat so it can easily slip into a computer bag or backpack pocket.

OPEN the Kickstand:

Press the grooved button located on the back center of TRANSIT.

CLOSE the Kickstand:

Press the kickstand closed and it will lock in place.



WARRANTY INFO

Through precision engineering, high quality materials and rigorous testing, we have worked hard to ensure the reliability of TRANSIT exceeds expectations. TRANSIT is backed by SOEN Audio with a one-year limited warranty against hardware defects. For any problems please visit www.SoenAudio.com for help and contact information.

STORAGE & TEMPERATURE

Do not leave the TRANSIT exposed to extreme temperatures above 130°F (45°C) or below 32°F (0°C). Prolonged exposure to extreme temperatures can cause damage to the TRANSIT battery and electronics. Do not leave TRANSIT exposed to direct sunlight for extended periods of time as this may damage or discolor the device.

TROUBLESHOOTING

1. UNABLE TO CONNECT/PAIR WITH BLUETOOTH® DEVICE.

- a. Confirm that your phone, tablet, or device is compatible with Bluetooth® version 2.0 or above by checking the user guide of the device you are trying to connect.
- b. Make sure the 3.5mm audio cable is **NOT** plugged into TRANSIT. (**NOTE:** when the 3.5mm jack is plugged in, Bluetooth® is automatically turned off.)
- c. Follow the connection instructions in the 'SETUP' section of this User Guide.
- d. Switch TRANSIT 'OFF' and back 'ON', and confirm the power LED light is lit white or purple. If the light is red or does not come on, plug TRANSIT in to charge the battery.
- e. Make sure the volume on the TRANSIT is turned up by pressing the '+' button until you see the LED flash quickly.

2. AUDIO IS DROPPING OUT.

- a. Move TRANSIT closer to the connected Bluetooth® device.
- b. Make sure TRANSIT is charged, or plugged in and charging. The LED should be white, or if plugged in and charging, it should be purple.

3. AUDIO IS DISTORTED.

- a. Lower the volume on TRANSIT by pressing the '-' button.
- b. The best audio clarity will be achieved using the provided 3.5mm audio input cable.
- c. Make sure the TRANSIT Momentum Port™ is not blocked or obstructed.
- d. Switch the TRANSIT speaker OFF and back ON.
- e. Play a variety of tracks to confirm that the content is not corrupted or low (bit-rate) quality.

4. TRANSIT WILL NOT PLAYBACK USING 3.5MM AUDIO INPUT.

- a. Make sure the volume level is turned up on TRANSIT by pressing the '+' button until you see the LED flash quickly.
- b. Confirm audio is playing on your source device, and that the volume is turned up on the source device.
- c. Make sure the 3.5mm audio jack is plugged in **FULLY** to both the TRANSIT speaker and the source device.
- d. Confirm that there is no damage to the audio cable.
- e. Make sure TRANSIT is turned ON and the power light is ON and white or purple.
- f. Make sure TRANSIT is charged or plugged in and charging.

STATIC DISCHARGE: TRANSIT is designed to withstand normal static discharges, but in the event of a significant static discharge TRANSIT may lose Bluetooth® connection or cause the LED light to momentarily change color or turn off. To correct, simply turn the power switch 'OFF' and back 'ON'.

TECHNICAL SPECIFICATIONS

- Bluetooth® v2.1+EDR compliant. Profiles: A2DP (wireless stereo Bluetooth®), HFP
- Bluetooth® wireless range: 33ft (10m)
- Size: 3.8in (96.8mm) wide, 6.6in (169mm) long x 1.3in (33.25mm) thin
- Weight: 1.1 lb. (0.5kg)
- Battery: Long-Life Lithium Ion
- Battery playtime: Between 4 to 8hrs (based on volume level and playback content)
- Wall Charger: 5VDC 1A
- Micro USB port for charging.
- Temperature range for use: 130°F (45°C) - 32°F (0°C)

BLUETOOTH® INFO

- The typical range for Bluetooth® is up to 33ft (10m).
- TRANSIT can pair with up to 8 devices, but can only playback from one device at a time.

SAFETY INFO

Please fully read all safety warnings carefully to ensure safety and prevent property damage.

FIRE & ELECTRICAL SHOCK HAZARD

- Do not expose TRANSIT to moisture, liquid, humidity, or rain because this may result in electrical shock, or damage to the device.
- Do not use TRANSIT near a bathtub, sink, sauna, pool, steam room or any moist environment because this may result in electrical shock or damage to the device.
- Do not drop, disassemble, open, bend, microwave, burn, or manipulate the TRANSIT speaker or any of its accessories because this may result in electrical shock.
- Do not insert foreign objects into the TRANSIT speaker, including the Momentum Port™ opening or speaker grill because this may result in electrical shock, or damage to the device.
- Only clean TRANSIT with a dry cloth when the device is unplugged from the charger.
- Do not block any of the ventilation openings of the TRANSIT speaker including the Momentum Port™ when it is in use.
- Do not use the TRANSIT speaker near any heat source including open flame, heater, stove, or radiator as this

may cause permanent damage to TRANSIT.

BATTERY / CHARGING HAZARD

- Do not remove or attempt to remove the non-user-replaceable battery. The battery is NOT replaceable.
- Do not dispose of TRANSIT in a fire; this could result in the battery exploding causing injury or death.
- Only charge the battery in accordance with the user instructions for TRANSIT. Use of non-specified charging method may cause damage to the battery or electronics and could result in fire and the battery exploding causing injury or death.
- Do not dismantle the TRANSIT speaker or charger because this may result in electrical shock.
- Do not charge the TRANSIT speaker in or around damp areas because this may result in electrical shock.
- Do not clean the TRANSIT speaker when it is plugged in. Only clean TRANSIT when it is unplugged from the charger.

AUTOMOBILE ACCIDENT HAZARD

- Do not become distracted by this product while driving.
- Do not position TRANSIT or any of its accessories near, on, above, or in front of any of your vehicle's airbags because serious injury or damage may result when an airbag deploys.

CAUTIONS

- The TRANSIT speaker contains no user serviceable components, attempting to open the speaker will void the warranty.
- Use only the supplied wall charger to charge the TRANSIT speaker. Other chargers may look similar but may cause damage to the TRANSIT speaker and may cause damage to the battery/electronics and could result in fire and the battery exploding causing injury or death.
- Where the mains plug of wall charger is used as the disconnect device, such disconnect device shall remain readily operable.
- Switch the TRANSIT speaker off using the power switch before boarding an aircraft, unless allowed by your

airline.

- Do not place the TRANSIT close to the edge of a table/shelf as vibrations from music playback may cause the speaker to shift and fall, and may cause damage to the speaker or anyone or anything affected by the fall.

PRODUCT DISPOSAL

- If you wish to dispose of this product, please do so in accordance with applicable national legislation or other rules in your country for the treatment of old electrical and electronic equipment.
- This symbol indicates that the electrical and electronic equipment should not be disposed as general household waste at its end-of-life. Instead, the product should be handed over to the applicable collection point for the recycling in accordance with your national legislation. By disposing of this product correctly, you will help to conserve natural resources and will help prevent potential negative effects on the environment and human health that could otherwise be caused by inappropriate waste handling of this product.
- For more information about collection point and recycling of this product, please contact your local municipal office, your household waste disposal service or the shop where you purchased the product. Penalties may be applicable for incorrect disposal of this waste, in accordance with national legislation



REGULATIONS

This device complies with FCC radiation exposure limits set forth for an uncontrolled environment.

This device complies with Part 15 of the FCC Rules and Industry Canada RSS-210. Operation is subject to the following two conditions: (1) This device may not cause harmful interference, and (2) this device must accept any interference received, including interference that may cause undesired operation.

Warning: Changes or modifications to this unit not expressly approved by the party responsible for compliance could void the user's authority to operate the equipment.

NOTE: This equipment has been tested and found to comply with the limits for a Class B digital device, pursuant to Part 15 of the FCC Rules. These limits are designed to provide reasonable protection against harmful interference in a residential installation. This equipment generates, uses and can radiate radio frequency energy and, if not installed and used in accordance with the instructions, may cause harmful interference to radio communications. However, there is no guarantee that interference will not occur in a particular installation. If this equipment does cause harmful interference to radio or television reception, which can be determined by turning the equipment off and on, the user is encouraged to try to correct the interference by one or more of the following measures:

- Reorient or relocate the receiving antenna.
- Increase the separation between the equipment and receiver.
- Connect the equipment into an outlet on a circuit different from that to which the receiver is connected.

- Consult the dealer or an experienced radio/TV technician for help.

Canada

This Class A digital apparatus complies with Canadian ICES-3B.

Cet appareil numérique de la classe A est conforme à la norme NMB-3B du Canada.

CONTACT

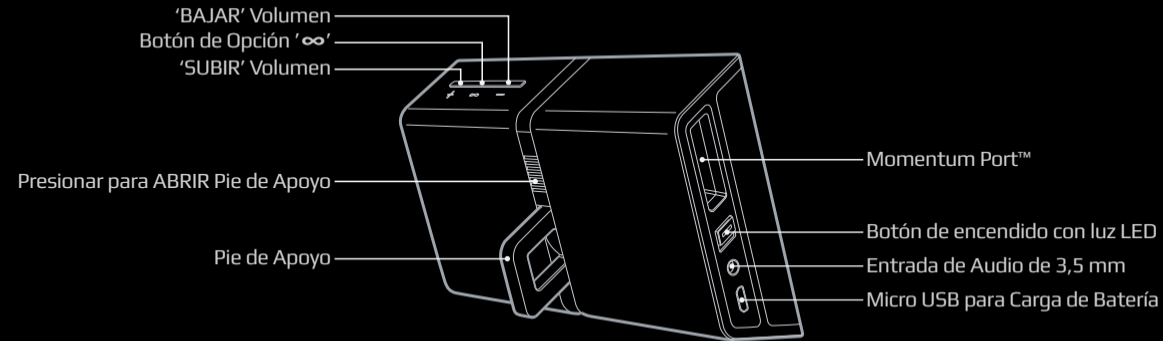
Designed & Engineered by SOEN Audio
31368 Via Colinas, Suite 106, Westlake Village
California 91362 USA

Phone/Fax: 1.888.418.3676
www.SoenAudio.com

© 2013 Soen Audio. All rights reserved. SOEN™, the SOEN logo, TRANSIT, Momentum Port™, Precise Talk™ and MagPro Cover™ are trademarks of Soen Audio. The Bluetooth® trademark and Bluetooth® logo are owned by Bluetooth® SIG Inc. and any use of such marks by Soen is under license. Apple®, iPhone® are trademarks of Apple Inc., registered in the US and other countries.

ESPAÑOL

ACERCA DE.....	29
CONFIGURACIÓN.....	33
INFORMACIÓN.....	37
AYUDA.....	41
ESPECIFICACIONES.....	43
SEGURIDAD.....	45
REGULACIONES.....	49



TRANSIT™

Parlante portátil de avanzada: diseño clásico y sonido inimitable de alto rendimiento.

ALTO RENDIMIENTO PORTÁTIL

TRANSIT ofrece una experiencia acústica asombrosa, con capacidad de llenar la habitación de sonido como típicamente hacen parlantes mucho más grandes. Ya sea en la ruta o en tu mesa de luz, TRANSIT es el acompañante perfecto para un estilo de vida moderno gracias a su tamaño portátil, diseño clásico y rendimiento inimitable.

¡SONIDO INCREÍBLE Y LIBERTAD INALÁMBRICA!

TRANSIT utiliza la última y más avanzada tecnología en acústica y de transductores de sonido. Los magos de SOEN™ han desarrollado una atractiva ingeniería de sonido para parlantes portátiles de alto rendimiento. Nuestros exclusivos transductores, junto a otras tecnologías innovadoras como el revolucionario Momentum Port™, ofrecen un sonido rico y vibrante con bajos poderosos.

ACERCA DE SOEN AUDIO

SOEN fue fundada en California por diseñadores, ingenieros y artífices líderes de la industria, unidos por la pasión de crear los mejores productos de audio del mundo. Estamos comprometidos a continuar traspasando las barreras de innovación en acústica y ofrecerle en el futuro muchos otros productos sorprendentes. El equipo de SOEN le agradece haber elegido el parlante TRANSIT y esperamos lo disfrute por muchos años.

PARA MÁS INFORMACIÓN

Para conocer más sobre nuestros últimos productos y tecnologías de alto rendimiento visítenos online: www.SoenAudio.com

ÚNASE A NUESTRA TRIBU SOEN EN FACEBOOK

Manténgase informado respecto a los nuevos productos SOEN y beneficios exclusivos para nuestra familia en Facebook: www.Facebook.com/SoenAudio

COMPATIBILIDAD

INALÁMBRICA

TRANSIT funciona con cualquier dispositivo inalámbrico que cuente con tecnología Bluetooth® 2.0 o superior, incluyendo:

- Telefonía / Smartphones
- Tabletas
- Reproductores de MP3
- Computadoras con estéreo inalámbrico Bluetooth®



NOTA: Cuando se conecta el cable de audio de 3,5 mm, Bluetooth® se desconecta automáticamente.

CON CABLE

TRANSIT también funciona con cualquier dispositivo que tenga una conexión de audio estéreo de 3,5 mm.

CONTENIDO DEL PAQUETE

- Parlante inalámbrico TRANSIT
- Cubierta protectora plegable MagPro™
- Batería recargable de larga duración
- Cargador compacto de pared
- Cable de carga USB de 36" (91cm)
- Cable de audio de 36" (91cm)

BOTON DE ENCENDIDO CON LUZ LED

- **Blanco:** Dispositivo encendido.
- **Rojo:** La batería necesita carga.
- **Violeta:** La batería se está cargando.
- **Azul Parpadeante:** buscando dispositivo Bluetooth® conectado anteriormente, o en modo de vinculación.
- **Verde con parpadeo breve:** TRANSIT está enchufado y 'APAGADO'. Batería con carga completa.
- **Violeta con parpadeo breve:** TRANSIT está enchufado y 'APAGADO'. Batería se está cargando.

CONFIGURACION CON DISPOSITIVO BLUETOOTH®



Acceda a videos cortos de configuración para los smartphones y tabletas más populares en www.SoenAudio.com

Escanee el código QR para acceder directamente a los videos online de configuración.

1. Encienda TRANSIT.

TRANSIT viene cargado parcialmente y listo para usar en su empaquetamiento original. Simplemente enciéndalo. Si la luz está **ROJA** o no se enciende, enchufe TRANSIT usando el cable USB y cargador provistos. Si usa TRANSIT antes de una primera carga completa no ocurrirá ningún daño al parlante o la batería.

2. Presione y sostenga el botón de Opciones '∞' hasta que TRANSIT empiece a emitir el tono de vinculación Bluetooth®. La luz LED del botón de encendido empezará a parpadear en azul indicando que TRANSIT está en modo de vinculación Bluetooth® y disponible para conectarse con un dispositivo. **NOTA:** mientras esté en el modo de vinculación Bluetooth®, TRANSIT emitirá el tono de vinculación cada 3 segundos.

3. En el dispositivo o teléfono que se desea vincular, acceda a los ajustes, encienda Bluetooth® y luego 'Agregue' o 'Busque' dispositivos. Cuando aparezca "TRANSIT" en la lista de dispositivos, selecciónelo. Si se requiere una contraseña, ingrese 0000. Una vez que TRANSIT esté conectado, emitirá el tono de 'Conectado' y la luz azul parpadeante se detendrá. ¡A disfrutar de la música!

Para más ayuda sobre cómo configurar Bluetooth®, repase el manual de instrucciones del dispositivo con que intenta conectarse.

NOTA: El proceso de vinculación es sólo necesario una vez por dispositivo que desee conectar a TRANSIT. Para vincular TRANSIT con un segundo dispositivo, repita los pasos anteriores. TRANSIT recordará hasta 8 dispositivos. Luego de vincularse con más de 8 dispositivos, el primer dispositivo deberá ser vinculado nuevamente con TRANSIT para establecer conexión.

RECONEXIÓN DE AUDIO BLUETOOTH®

Para su comodidad, TRANSIT recuerda los dispositivos con que se vincula e intentará conectarse nuevamente (cada 15 segundos) al último dispositivo con que se conectó cuando se lo encienda. Si su dispositivo está fuera de alcance o tiene la función Bluetooth® apagada, TRANSIT no podrá conectarse automáticamente. Si el dispositivo queda fuera de alcance o pierde su conexión con TRANSIT, podrá conectarlo fácilmente presionando el botón '∞' una sola vez.

REPRODUCIR AUDIO CON EL CABLE DE 3,5 MM

Conecte el cable de audio estéreo de 3,5 mm que viene incluido a la salida de audio de cualquier dispositivo, y luego conéctelo a la toma de audio de 3,5 mm de TRANSIT.

NOTA: Cuando se conecta el cable de audio de 3,5 mm, Bluetooth® se desconecta automáticamente.

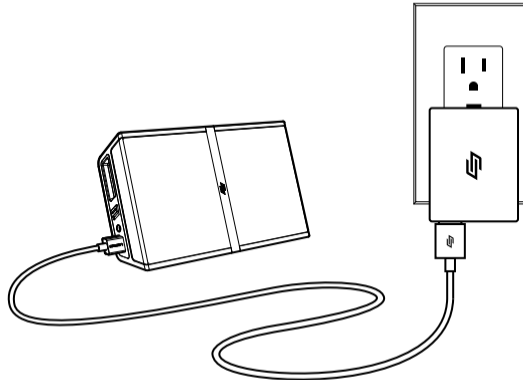
CARGADO Y REPRODUCCIÓN

La batería de larga duración de TRANSIT se carga con el cargador de pared provisto, utilizando el cable USB a micro USB.

- Una batería vacía tarda entre 2 y 3 horas para cargarse por completo con el cargador de pared, y dura entre 4 a 8 horas con carga completa (la duración depende del volumen y los contenidos que se reproduzcan).
- La batería puede ser cargada con TRANSIT estando encendido o apagado.

Dispositivos Apple® iOS: El nivel de batería de TRANSIT se podrá ver en la pantalla junto al nivel de batería de su iPad® o iPhone®.

NOTA: La batería no puede ser reemplazada por el usuario.



MODO AUSENTE AUTOMÁTICO

Para extender el tiempo de reproducción de la batería TRANSIT ingresa automáticamente al modo 'Ausente' cuando no se está reproduciendo audio, sea con cables o mediante Bluetooth®. Para despertar a TRANSIT del modo 'Ausente' presione cualquier botón y el sistema se reiniciará. TRANSIT intentará conectarse nuevamente mediante Bluetooth®, o iniciará la reproducción mediante el cable de audio de 3,5 mm si éste está conectado.

LLAMADAS TELEFÓNICAS

TRANSIT ofrece una gran experiencia de manos libres para llamadas telefónicas utilizando un micrófono integrado de avanzada y la tecnología PreciseTalk™.

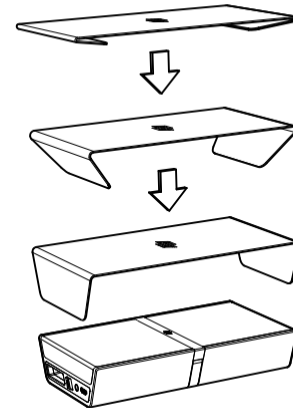
Aceptar o finalizar una llamada: Presione el botón de Opción '∞' una sola vez.

Rechazar una llamada: Presione y sostenga el botón de Opción '∞' hasta escuchar el tono de 'Llamada rechazada'.

CUBIERTA MAG-PRO™

La cubierta autoajutable MagPro sirve para proteger TRANSIT durante viajes y se dobla para guardarla fácilmente cuando no está en uso. La cubierta utiliza imanes para ajustarse al frente y los costados de TRANSIT.

Para ajustar la cubierta, abra las aletas y posicónelas sobre el frente y los costados de la rejilla del parlante. Los imanes sostendrán la cubierta en su lugar.



PIE DE APOYO

La función eyectora del pie de apoyo permite que TRANSIT se pliegue para guardarlo fácilmente en un bolso de computadora o un bolsillo de mochila.

Abrir el Pie de Apoyo: Presione el botón acanalado ubicado en el centro de la parte posterior de TRANSIT.

Cerrar el Pie de Apoyo: Presione el Kickstand hasta cerrarlo y se ajustará en su lugar.



INFORMACIÓN DE GARANTÍA

TRANSIT ha sido desarrollado con ingeniería de precisión, materiales de alta calidad y testeos rigurosos. Nuestro equipo de expertos ha trabajado fuertemente para asegurar que la fiabilidad de TRANSIT exceda las expectativas.

TRANSIT está respaldado por SOEN Audio con una garantía limitada de un año contra defectos de hardware. Por cualquier problema visite www.SoenAudio.com para recibir información de contacto y ayuda.

ALMACENADO Y TEMPERATURA

No deje TRANSIT expuesto a temperaturas extremas superiores a 130 °F (45 °C) o inferiores a 32 °F (0 °C). La exposición prolongada a temperaturas extremas puede causar daños a la batería y los componentes electrónicos. No deje TRANSIT expuesto a la luz directa del sol por períodos prolongados ya que esto puede decolorar o dañar el dispositivo.

RESOLUCIÓN DE PROBLEMAS

1. NO ES POSIBLE CONECTAR O VINCULAR CON EL DISPOSITIVO BLUETOOTH®

- Verifique que su teléfono, tableta o dispositivo sea compatible con una versión de Bluetooth® 2.0 o superior revisando la guía del usuario o el dispositivo al que intenta conectarse.
- Asegúrese de que el cable de audio de 3,5 mm **NO** esté conectado a TRANSIT. (**NOTA:** cuando se conecta el conector de audio de 3,5 mm, Bluetooth® se desconecta automáticamente).
- Siga las instrucciones de conexión de la sección 'CONFIGURACIÓN' de esta Guía del Usuario.
- Apague TRANSIT y vuelva a encenderlo. Confirme que la luz LED de encendido esté en blanco o violeta. Si la luz está roja o no se enciende, enchufe TRANSIT para cargar la batería.
- Asegúrese de que el volumen de TRANSIT sea suficiente presionando el botón '+' hasta ver que la luz LED parpadea rápidamente.

2. EL AUDIO ESTÁ DISMINUYENDO.

- Acerque TRANSIT al dispositivo Bluetooth® conectado.
- Asegúrese de que TRANSIT esté cargado, o enchufado y cargando. La luz LED debe estar en blanco, o, si está enchufado y cargando, violeta.

3. EL AUDIO ESTA DISTORSIONADO

- Baje el volumen de TRANSIT presionando el botón '-'
- El sonido más claro se obtiene usando el cable de entrada de 3,5 mm.
- Asegúrese de que el Momentum Port de TRANSIT no esté obstruido ni bloqueado.
- Apague y vuelva a encender TRANSIT.
- Reproduzca varias pistas para confirmar que el contenido de audio no esté corrompido ni tenga una calidad baja (tasa de bits).

4. TRANSIT NO REPRODUCE MÚSICA CON LA ENTRADA DE AUDIO DE 3,5 MM.

- Asegúrese de que el volumen de TRANSIT esté elevado presionando el botón '+' hasta ver que la luz LED parpadea rápidamente.
- Confirme que el audio esté reproduciéndose en el dispositivo fuente y que el volumen esté elevado en el dispositivo fuente.
- Asegúrese de que el conector de audio de 3,5 mm esté **COMPLETAMENTE** enchufado tanto en TRANSIT como en el dispositivo fuente.
- Confirme que el cable de audio no esté dañado.
- Asegúrese de que TRANSIT esté encendido y que la luz de encendido se vea en blanco o violeta.
- Asegúrese de que TRANSIT esté cargado, o enchufado y cargando.

DESCARGAS DE ESTÁTICA: TRANSIT está diseñado para soportar descargas de estática normales. En caso de una descarga significativa, TRANSIT puede perder la conexión Bluetooth® o la luz LED puede cambiar de color momentáneamente o apagarse. Para arreglarlo, simplemente apague y vuelva a encender el dispositivo.

ESPECIFICACIONES TÉCNICAS

- Bluetooth® v 2.1 + cumplimiento EDR. Perfiles: A2DP (Bluetooth® estéreo inalámbrico), HFP
- Alcance inalámbrico de Bluetooth®: 33 pies (10 metros)
- Tamaño: 3,8 pulgadas (96,8 mm) de ancho, 6,6 pulgadas (169 mm) de largo y 1,3 pulgadas (33,25 mm) de grosor
- Peso: 1,1 libra (0,5 kg)
- Batería: Batería de Litio-Ión de larga duración
- Tiempo de reproducción de la batería: De 4 a 8hrs (según el nivel de volumen y los contenidos reproducidos)
- Cargador de pared: 5 VDC 1 A
- Puerto Micro USB para cargar
- Rango de temperatura de uso: 130 °F (45 °C) - 32 °F (0 °C)

INFORMACIÓN DE BLUETOOTH®

- El rango de Bluetooth® más común es de 33 pies (10 metros).
- TRANSIT puede vincularse con hasta 8 dispositivos, pero sólo puede reproducir desde un dispositivo a la vez.

INFORMACIÓN DE SEGURIDAD

Lea por completo y cuidadosamente las advertencias para asegurar la seguridad y evitar daños a la propiedad.

PELIGRO DE INCENDIO Y DESCARGAS ELÉCTRICAS

- No exponga TRANSIT a humedad, líquidos o lluvia porque podría causar descargas eléctricas o daños al dispositivo.
- No use TRANSIT cerca de una bañera, lavabo, saunas, piscinas, salas de vapor o cualquier ambiente húmedo porque podría causar descargas eléctricas o daños al dispositivo.
- No deje caer a TRANSIT, ni lo desarme, abra, doble, queme o ponga en el microondas ni manipule TRANSIT o sus accesorios ya que podría causar descargas eléctricas.
- No inserte objetos extraños dentro TRANSIT o sus aberturas, incluyendo la del Momentum Port o la rejilla del parlante, porque podría causar descargas eléctricas o daño al dispositivo.
- Limpie TRANSIT sólo con una tela seca cuando esté desenchufado del cargador.
- No bloquee ninguna abertura de TRANSIT, incluyendo el Momentum Port cuando esté en uso.
- No use TRANSIT cerca de fuentes de calor, incluyendo llamas abiertas, calentadores, estufas o radiadores, ya que esto puede causar daños permanentes.

PELIGRO DE CARGA Y BATERÍA

- No saque o intente sacar la batería. La batería NO puede ser reemplazada por el usuario.
- No deseche TRANSIT en el fuego, esto podría hacer que la batería explote y cause lesiones e incluso la posibilidad de muerte.
- Cargue la batería solo de acuerdo con las instrucciones para el usuario de TRANSIT. El uso de métodos de carga no especificados puede causar daños a la batería o sus componentes electrónicos y puede causar incendios y explosión de la batería, con consecuentes lesiones e incluso posibilidad de muerte.
- No desmantele a TRANSIT o su cargador porque esto puede causar descargas eléctricas.
- No cargue TRANSIT en áreas húmedas o en su proximidad, porque esto puede causar descargas eléctricas.
- No limpie a TRANSIT cuando esté enchufado. Límpielo sólo cuando esté desenchufado del cargador.

PELIGRO DE ACCIDENTES AUTOMOVILÍSTICOS

- Evite que este producto lo distraiga al manejar.
- No ubique TRANSIT o sus accesorios sobre, cerca de, o enfrente de cualquiera de las bolsas de aire del vehículo, ya que podría causar heridas graves al desplegarse las bolsas de aire.

PRECAUCIONES

- TRANSIT no tiene componentes que puedan ser reparados por el usuario. Intentar abrir el parlante anula la garantía.
- Use sólo el cargador de pared provisto para cargar la batería de TRANSIT. Otros cargadores pueden parecer similares pero pueden causar daños a TRANSIT o a la batería y sus componentes electrónicos, pudiendo también causar incendios y explosión de la batería con riesgos de lesiones y posibilidad de muerte.
- Apague TRANSIT usando el botón de encendido antes de subir a un avión, excepto que la línea aérea lo permita.
- No ubique a TRANSIT cerca del borde de una mesa o estante, ya que las vibraciones de la reproducción de música pueden hacer que TRANSIT se mueva y caiga, pudiendo causar daños a TRANSIT o a cualquier cosa o

persona afectada por la caída.

DESECHO DEL PRODUCTO

- Si desea deshacerse de este producto, hágalo de acuerdo con la legislación nacional o regulaciones que correspondan en su país para desecho de equipos eléctricos y electrónicos.
- Este símbolo indica que el equipo eléctrico y electrónico no debe desecharse como basura normal. El producto debe ser llevado al punto de recolección correspondiente para el reciclado de acuerdo con la legislación nacional de su país. El desecho correcto de este producto ayudará a conservar los recursos naturales y a evitar efectos negativos en el medio ambiente y la salud de las personas.
- Para obtener más información acerca de puntos de recolección y el reciclado de este producto contacte a su oficina municipal, el servicio de desecho de electrodomésticos o el negocio donde compró el producto. Puede haber multas por el desecho incorrecto de este producto de acuerdo con la legislación nacional.



REGULACIONES

Este dispositivo cumple con los límites de exposición a radiación de la FCC establecidos para un entorno no controlado.

Este equipo cumple con la Parte 15 de las normas FCC y Industry Canada RSS-210.

La operación está sujeta a las siguientes dos condiciones: (1) Este equipo no debe causar interferencias perjudiciales, y (2) este equipo debe aceptar cualquier interferencia recibida, incluyendo interferencias que puedan causar un funcionamiento no deseado.

Advertencia: Los cambios o modificaciones hechos a esta unidad no aprobados expresamente por la parte responsable del cumplimiento pueden anular la autoridad del usuario para operar el equipo.

NOTA: Este equipo ha sido testeado y se ha hallado que cumple con los límites de un dispositivo digital Clase B, de acuerdo con la Parte 15 de las Reglas FCC. Estos límites están diseñados para ofrecer protección razonable contra interferencias dañinas en una instalación residencial. Este equipo genera, usa y puede irradiar energía de frecuencias de radio; si no se lo instala y usa de acuerdo con las instrucciones puede causar interferencias dañinas para las comunicaciones de radio. Sin embargo, no hay garantía de que no haya interferencias en una instalación particular. Si este equipo causa interferencias dañinas a la recepción de radio o televisión, lo cual puede determinarse apagando y encendiendo el equipo, se recomienda al usuario intentar corregir la interferencia cumpliendo con una o más de las siguientes medidas:

- Reorientar o reubicar la antena receptora.
- Aumentar la separación entre el equipo y el receptor.
- Conectar el equipo a una salida en un circuito diferente al circuito en que está conectado el receptor.
- Consultar al vendedor o a un técnico de TV/radio con experiencia.

CANADÁ

Este aparato digital Clase A cumple con la norma ICES-3B canadiense.

CONTACTO

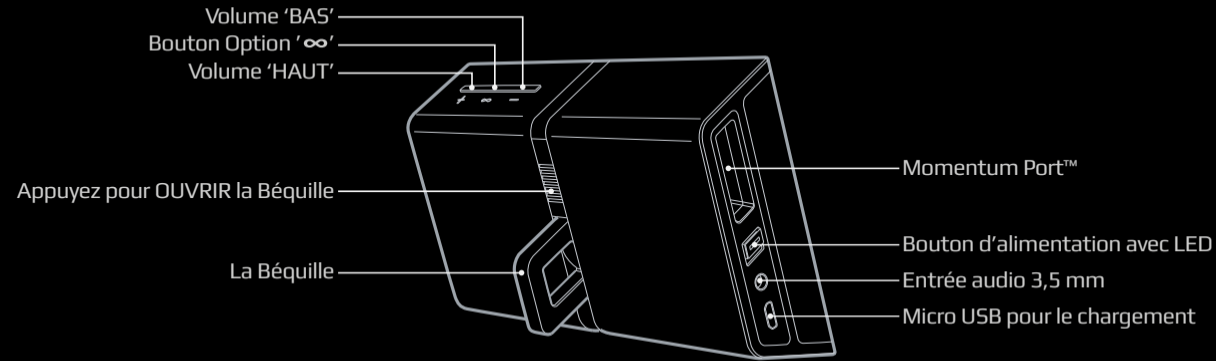
Diseño e ingeniería a cargo de SOEN Audio,
31368 Via Colinas, Suite 106, Westlake Village
California, 91362 EE.UU.

Teléfono/fax: 1.888.418.3676
www.SoenAudio.com

© 2013 SOEN Audio LLC. Todos los derechos reservados. SOEN™, SOEN logo y TRANSIT™ son marcas registradas de SOEN Audio EE.UU. Apple®, iPad® y iPhone® son marcas registradas de Apple Inc., registrada en los EE.UU. y en otros países. La palabra, marca y logo Bluetooth® son propiedad de Bluetooth® SIG, Inc. y cualquier uso de estas marcas por parte de SOEN se realiza bajo licencia.

FRANÇAIS

A PROPOS	53
RÉGLAGE	57
INFORMATION	61
AIDE	65
CARACTÉRISTIQUES	67
SÉCURITÉ	69
RÉGLEMENTATION	73



TRANSIT™

L'ultime Haut-parleur – Design Intemporel & Performance Sonore Inégalée.

HAUTE PERFORMANCE PORTABLE

Le TRANSIT délivre un son étonnant et enveloppant habituellement produit par des haut-parleurs largement plus volumineux. Que ce soit sur la route ou sur votre table de chevet, sa taille portable, son design stylé et ses performances inégalées font du TRANSIT le parfait compagnon pour un style de vie moderne.

SON INCROYABLE & LIBERTE D' OPERATION SANS FIL!

TRANSIT utilise les technologies de transducteur et acoustiques les plus avancées et disponibles de nos jours. Les spécialistes de SOEN™ ont conçu le moteur acoustique le plus fascinant pour des haut-parleurs portables de haute performance. Ces transducteurs exclusifs SOEN combinés avec nos autres technologies révolutionnaires incluant le révolutionnaire Momentum Port™ fournissent un son riche et vibrant avec des basses musclées!

A PROPOS DE SOEN AUDIO

SOEN a été fondé en Californie par de grands designers de l'industrie, ingénieurs et artisans rassemblés par leur passion pour créer les plus fins produits audio du monde. Nous nous sommes engagés à pousser la frontière de l'acoustique continuellement et à vous apporter plus de produits surprenants dans le futur. L'équipe SOEN vous remercie pour avoir choisi TRANSIT et espère que vous l'apprécierez pendant des années!

POUR PLUS D'INFORMATION

Apprenez plus à propos de nos produits les plus récents et de nos technologies hautes performances sur internet à l'adresse : www.SoenAudio.com

REJOIGNEZ LE GROUPE SOEN SUR FACEBOOK

Restez en contact et informé à propos des nouveaux produits et bénéfices des membres SOEN disponible exclusivement sur notre famille Facebook : www.Facebook.com/SoenAudio

COMPATIBILITE

SANS FIL

TRANSIT fonctionne avec n'importe quel appareil Bluetooth® sans fil avec profil 2.0 ou supérieur, incluant :

- Téléphones / Smartphones
- Tablettes
- Lecteurs MP3
- Ordinateurs équipés avec un Bluetooth® stéréo sans fil



REMARQUE : Lorsque la prise 3,5 mm d'entrée audio est branchée, la communication Bluetooth® sera automatiquement arrêtée.

AVEC FIL

TRANSIT fonctionnera aussi avec n'importe quel appareil possédant une prise 3,5mm de sortie audio stéréo pour les écouteurs.

CONTENU DE L'EMBALLAGE

- Haut-parleur Sans Fil TRANSIT
- Couvercle Protecteur Rabattable MagPro™
- Batterie Rechargeable de Longue Durée
- Chargeur Mural Compact
- Câble de chargement USB 36" (91cm)
- Câble Audio Stéréo 3,5 mm 36" (91cm)

BOUTON D'ALIMENTATION ILLUMINE LED

- **Blanc :** L'alimentation est en MARCHE.
- **Rouge :** La batterie a besoin d'être chargée.
- **Violet :** La batterie est en chargement.
- **Bleu Clignotant :** Recherche de l'appareil Bluetooth® précédemment connecté, ou en mode de couplage.
- **Vert Clignotant Rapide :** TRANSIT est branché et éteint indiquant que la batterie est complètement chargée.
- **Violet Clignotant Rapide :** TRANSIT est branché et éteint indiquant que la batterie est en chargement.

CONNECTER A VOTRE APPAREIL BLUETOOTH®



Regardez les vidéos de réglage facile et rapide pour les Smartphones et tablettes les plus populaires sur internet à l'adresse : www.SoenAudio.com

Scannez le code QR pour un accès direct aux vidéos de réglage sur internet.

- 1.** Allumez TRANSIT. TRANSIT arrive partiellement chargé et prêt à l'emploi au déballage de sa boîte. Allumez-le simplement. Si la lumière est **ROUGE** ou ne s'allume pas, branchez TRANSIT en utilisant le câble USB et le chargeur inclus. Aucun dommage ne sera fait au haut-parleur ou à la batterie s'il est utilisé avant le chargement complet.
- 2.** Appuyez et maintenez le bouton Option '∞' jusqu'à ce que TRANSIT commence à émettre la tonalité de couplage Bluetooth®. La lumière LED sur le bouton commencera à clignoter en bleu indiquant que TRANSIT est en mode de couplage Bluetooth® et disponible pour le couplage avec votre appareil Bluetooth®. **REMARQUE** : Lors du mode de couplage Bluetooth®, TRANSIT émettra la tonalité de couplage Bluetooth® toutes les 3 secondes.
- 3.** Sur le téléphone ou appareil que vous connectez, accédez aux réglages Bluetooth®, mettez le Bluetooth® en

marche, ensuite 'Ajoutez' ou 'Cherchez' les appareils. Lorsque " TRANSIT " apparaît sur la liste des appareils recherchés, sélectionnez-le. Si un mot de passe est requis, entrez "0000". Une fois TRANSIT™ est connecté, il émettra la tonalité 'connecté' et la lumière bleue clignotante s'arrêtera. C'est le moment de Jouer !

Pour l'aide supplémentaire concernant le réglage Bluetooth®, revoyez le manuel d'instruction de l'appareil que vous essayez de connecter.

REMARQUE : C'est un réglage en une-fois pour chaque appareil que vous connectez à TRANSIT. Pour coupler TRANSIT avec un autre appareil, répétez les étapes ci-dessus. TRANSIT enregistrera jusqu'à 8 appareils. Après avoir couplé plus de 8 appareils, le premier appareil devra être couplé avec TRANSIT à nouveau dans le but de le connecter.

RECONNEXION AUTOMATIQUE BLUETOOTH®

Pour votre confort, TRANSIT enregistre les appareils que vous avez connecté avec lui, et essaiera de se reconnecter (toutes les 15 secondes) au dernier appareil connecté à chaque fois qu'il est allumé. Si votre appareil est hors de portée ou sa fonction Bluetooth® est éteinte, TRANSIT ne sera pas capable de se reconnecter automatiquement. Si l'appareil va hors de portée ou perd la connexion avec TRANSIT, vous pouvez facilement le reconnecter en appuyant une fois sur le bouton '∞'.

REPRODUIRE LE SON AU MOYEN DU CABLE 3,5 MM

Connectez le câble audio stéréo inclus à n'importe quelle sortie audio d'un appareil, et branchez-le à la prise 3,5 mm d'entrée audio du TRANSIT.

REMARQUE : Lorsque la prise 3,5 mm est branchée, la communication 'Bluetooth®' sera automatiquement arrêtée.

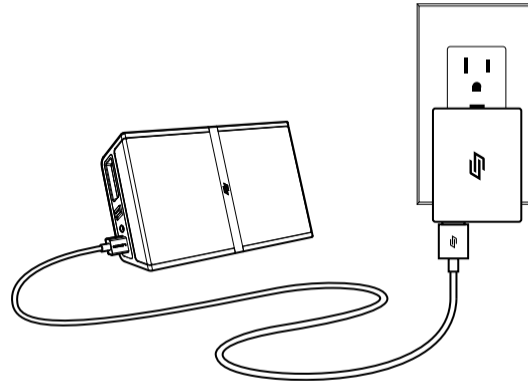
TEMPS DE LECTURE ET CHARGEMENT

La batterie longue durée de TRANSIT est chargée avec le chargeur mural inclus en utilisant le câble fourni USB à micro USB.

- Une batterie vide prend entre 2 et 3 heures pour se charger complètement en utilisant le chargeur mural, et durera entre 4 et 8 heures avec une charge pleine (la durée d'utilisation de la batterie dépend du niveau du volume et du contenu joué).
- La batterie peut être chargée avec TRANSIT allumé ou éteint.

Sur les appareils Apple® iOS : Le niveau de charge de la batterie de TRANSIT sera affiché directement à côté du niveau de charge de votre iPad® ou iPhone®.

REMARQUE : La batterie n'est pas remplaçable par l'utilisateur.



MODE 'VEILLE' AUTOMATIQUE

Pour rallonger la durée d'utilisation de la batterie, TRANSIT entrera en 'veille' automatiquement si aucun son Bluetooth® ou câblé n'est joué. Pour réveiller TRANSIT du mode 'veille', appuyez simplement sur n'importe quel bouton, et le système redémarrera. TRANSIT tentera alors de se reconnecter en utilisant le Bluetooth®, ou jouera par le câble audio 3,5 mm si il est branché.

APPELS TELEPHONIQUES

TRANSIT procure une grande expérience de haut-parleur téléphonique pour les appels mains-libres en utilisant un microphone intégré et la technologie avancée 'PreciseTalk™'.

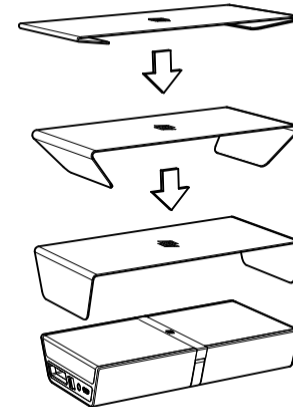
Accepter ou Terminer un Appel : Appuyez sur le bouton Option '∞' une fois.

Rejeter un Appel : Appuyez et maintenez le bouton Option '∞' jusqu'à ce que la tonalité 'd'Appel Rejeté' soit entendue.

COUVERCLE MAG-PRO™

Le Couvercle MagPro à auto-accrochage aide à protéger TRANSIT lors des déplacements, et se rabat à plat pour un rangement facile lorsqu'il n'est pas utilisé. Le couvercle utilise des aimants pour s'attacher sur l'avant et les côtés de TRANSIT.

Pour attacher le couvercle, ouvrez simplement les volets, positionnez-le sur le devant et les côtés de la grille du haut-parleur et les aimants maintiendront le couvercle en place.

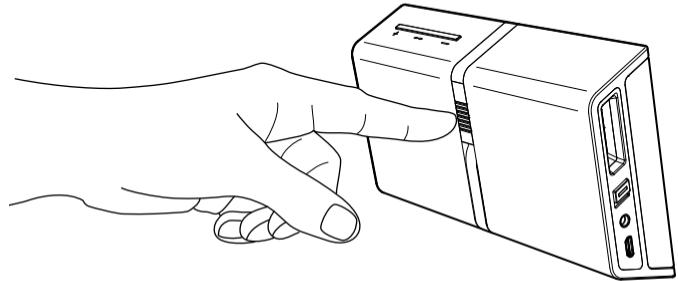


BEQUILLE

La fonction Béquille rétractable permet à TRANSIT de se rabattre à plat pour qu'il puisse être glissé dans un sac d'ordinateur ou dans la poche d'un sac à dos.

OUVRIER la Béquille : Appuyez sur le bouton à rainure placé au centre à l'arrière de TRANSIT.

FERMER la Béquille : Appuyez sur la béquille pour la fermer et elle se verrouillera en place.



INFORMATION SUR LA GARANTIE

A travers une conception précise, la haute qualité des matériaux et des tests rigoureux, nous avons travaillé dur pour assurer que la fiabilité de TRANSIT dépasse les attentes.

TRANSIT est supporté par SOEN Audio avec une garantie de 1 an limitée contre les défauts matériels. Pour tous problèmes, veuillez visiter www.SoenAudio.com pour de l'aide et les contacts d'information.

RANGEMENT ET TEMPERATURE

Ne laisser pas TRANSIT exposé aux températures extrêmes supérieures à 130°F (45°C) ou en inférieures à 32°F (0°C). Une exposition prolongée aux températures extrêmes peut causer des dommages à la batterie et à l'électronique du TRANSIT. Ne laisser pas TRANSIT exposé à la lumière directe du Soleil pour une longue période car ceci pourrait endommager ou décolorer l'appareil.

RESOLUTION DES PROBLEMES

1. INCAPABLE DE CONNECTER OU DE COUPLER AVEC UN APPAREIL BLUETOOTH®.

- Confirmez que votre téléphone, tablette, ou appareil est compatible avec la version Bluetooth® 2.0 ou supérieure en vérifiant le guide de l'utilisateur de l'appareil que vous essayez de connecter.
- Assurez-vous que le câble audio 3,5 mm n'est **PAS** branché sur TRANSIT (**REMARQUE** : lorsque la prise 3,5 mm est branchée, le Bluetooth® est automatiquement éteint).
- Suivez les instructions de connexion dans la section 'REGLAGE' de ce Guide de l'Utilisateur.
- Eteignez TRANSIT et rallumez-le, et confirmez que la lumière LED de l'alimentation est allumée en blanc ou violet. Si la lumière est rouge ou ne s'allume pas, branchez TRANSIT sur le chargeur de batterie
- Assurez-vous que le volume sur TRANSIT soit monté en appuyant sur le bouton '+' jusqu'à ce que vous voyiez la lumière LED clignotant rapidement.

2. LE SON ENTRECOUPE.

- Déplacez TRANSIT plus proche de l'appareil Bluetooth® connecté.
- Assurez-vous que TRANSIT est chargé, ou branché et en chargement. La LED doit être blanche, ou s'il est branché et en chargement, elle doit être violette.

3. LE SON EST DEFORME.

- Baissez le volume sur TRANSIT en appuyant sur le bouton '-'.
 - Le son le plus clair sera atteint en utilisant le câble audio 3,5 mm.
 - Assurez-vous que le Momentum Port de TRANSIT n'est pas bloqué ou obstrué.
 - Eteignez TRANSIT et rallumez-le.
 - Jouez une variété des contenus pour confirmer que le contenu audio n'est pas corrompu ou de faible qualité (bit-rate).

4. TRANSIT NE JOUE PAS LORSQUE LA PRISE 3,5MM D'ENTREE AUDIO EST UTILISEE.

- Assurez-vous que le volume sur TRANSIT est monté en appuyant sur le bouton '+' jusqu'à ce que vous voyiez la lumière LED clignotant rapidement.
- Confirmez que le son est joué sur votre appareil source, et que le volume est monté sur votre appareil source.
- Assurez-vous que le câble audio 3,5 mm est **ENTIEREMENT** branché au TRANSIT et à votre appareil source.
- Confirmez qu'il n'y a pas de dommage au câble audio.
- Assurez-vous que TRANSIT est allumé et que la lumière d'alimentation est allumée en blanc ou violet.
- Assurez-vous que TRANSIT est chargé, ou branché et en chargement.

DÉCHARGE STATIQUE : TRANSIT est conçu pour résister aux décharges statiques normales, mais dans l'éventualité d'une décharge statique significative, TRANSIT peut perdre la connexion Bluetooth® ou faire changer ou éteindre temporairement la lumière LED. Pour corriger, éteignez simplement le bouton d'alimentation et rallumez.

SPECIFICATIONS TECHNIQUES

- Bluetooth® v2.1 + conforme EDR. Profils : A2DP (Bluetooth® stéréo sans fil), HFP
- Portée sans fil Bluetooth® : 33 ft (10 m)
- Taille : 3,8" (96,8 mm) largeur, 6,6" (169 mm) longueur x 1,3" (33,25 mm) épaisseur
- Poids : 1,1 lb. (0,5 kg)
- Batterie : Lithium Ion longue durée
- Durée d'utilisation de la batterie : Entre 4 et 8 heures (basé sur le niveau du volume et contenu joué)
- Chargeur Mural : 5 V DC, 1 A
- Port Micro USB pour le chargement.
- Plage de Température d'utilisation : inférieure à 130°F (45°C) - 32°F (0°C)

INFORMATION BLUETOOTH®

- La portée typique du Bluetooth® va jusqu'à 33 ft (10 m).
- TRANSIT peut être couplé avec jusqu'à 8 appareils, mais ne peut jouer qu'avec un seul appareil connecté à la fois.

INFORMATION DE SECURITE

Veillez lire entièrement tous les avertissements de sécurité pour assurer la sécurité et éviter les dommages matériels.

DANGER DE FEU ET ELECTROCUTION

- Ne pas exposer TRANSIT à l'humidité, aux liquides ou la pluie car ceci peut provoquer sur une électrocution ou endommager l'appareil.
- Ne pas utiliser TRANSIT à proximité d'une baignoire, évier, sauna, piscine, hammam ou tout autre environnement humide pouvant causer une électrocution ou endommager l'appareil.
- Ne pas lâcher, démonter, ouvrir, tordre, brûler, passer au four micro-ondes, ou manipuler TRANSIT ou tout autre de ses accessoires pouvant ainsi causer une électrocution.
- Ne pas insérer d'objet étranger dans TRANSIT, incluant toutes ouvertures y compris les ouvertures du Momentum Port ou grille du haut-parleur car ceci peut causer une électrocution ou endommager l'appareil.
- Nettoyer TRANSIT avec seulement un chiffon sec lorsque l'appareil n'est pas branché au chargeur.
- Ne pas bloquer les ouvertures du TRANSIT incluant les Momentum Port pendant l'utilisation.
- Ne pas utiliser TRANSIT à proximité des sources de chaleur incluant les brûleurs, chauffages, poêles ou radia-

teurs, ceci pouvant endommager de manière permanente TRANSIT.

DANGER DE CHARGEMENT /BATTERIE

- Ne pas retirer ou tenter de retirer la batterie non-remplaçable par l'utilisateur. Cette batterie n'est **PAS** remplaçable.
- Ne pas jeter TRANSIT au feu, ceci pourrait faire exploser la batterie causant des blessures ou la mort.
- Charger uniquement la batterie en conformité avec les instructions de TRANSIT. Utiliser une méthode de chargement non-spécifiée peut causer des dommages à la batterie ou à l'électronique et déboucher sur un incendie ou une explosion de la batterie entraînant des blessures ou la mort.
- Ne pas démonter TRANSIT ou le chargeur ceci pouvant causer une électrocution.
- Ne pas charger TRANSIT dans ou à proximité de zones mouillées, ceci pouvant causer une électrocution.
- Ne pas nettoyer TRANSIT lorsqu'il est branché. Nettoyez TRANSIT uniquement lorsqu'il est débranché du chargeur.

DANGER D'ACCIDENT AUTOMOBILE

- Ne soyez pas distrait par ce produit pendant la conduite.
- Ne pas placer TRANSIT ou tout autre de ses accessoires à proximité, sur, au-dessus ou devant le airbag du véhicule car des blessures ou dommages sérieux peuvent survenir lorsqu'un airbag se déploie.

ATTENTION

- TRANSIT contient des composants non réparables par l'utilisateur, tenter d'ouvrir le haut-parleur annulera la garantie.
- Utilisez uniquement le chargeur mural fournit pour charger TRANSIT. D'autres chargeurs peuvent sembler similaires mais peuvent causer des dommages au TRANSIT, à sa batterie/ son électronique tels qu'incendie et explosion de la batterie entraînant des blessures ou la mort.
- Eteignez TRANSIT en utilisant le bouton d'alimentation avant d'embarquer dans un avion, sauf si autorisé par votre compagnie aérienne.
- Ne pas placer TRANSIT à proximité du bord d'une table/étagère du fait que les vibrations de la musique jouée

peut faire basculer et tomber TRANSIT, et causer des dommages au TRANSIT ou à quelqu'un ou quelque chose affecté par la chute.

MISE AU REBUT DU PRODUIT

- Si vous souhaitez mettre ce produit au rebut, veuillez le faire en conformité avec la réglementation nationale appliquée ou autres dans votre pays pour le traitement des vieux équipements électriques et électroniques.
- Ce symbole indique que l'équipement électrique et électronique ne doit pas être jeté comme un déchet ménager général à sa fin de vie. A la place, le produit doit être délivré à un point de collecte pour le recyclage en conformité avec la législation nationale. En mettant correctement ce produit au rebut, vous aiderez la conservation des ressources naturelles, la protection contre les effets néfastes sur l'environnement et la santé humaine que peuvent causer une mise au rebut incorrecte de ce produit.
- Pour plus d'information à propos des points de collecte et du recyclage de ce produit, veuillez contacter votre office municipal local, votre service de déchets ménagers ou le magasin où vous avez acheté ce produit. Des pénalités peuvent être appliquées pour une mise au rebut incorrecte selon la législation nationale.



REGLEMENTION

Cet appareil est conforme aux limites d'exposition aux radiations FCC définies pour un environnement non contrôlé.

Cet appareil est conforme à la Partie 15 des règlements de la FCC et Industrie Canada RSS-210.

Son fonctionnement est soumis aux deux conditions suivantes: (1) Ce dispositif ne doit pas causer d'interférences nuisibles, et (2) cet appareil doit accepter toute interférence reçue, y compris les interférences pouvant entraîner un fonctionnement indésirable.

Avertissement : Les changements ou modifications faites à cet appareil non approuvés spécifiquement par la partie responsable de la conformité peuvent annuler l'autorité de l'utilisateur à utiliser l'équipement.

REMARQUE : Cet équipement a été testé et déclaré conforme avec les appareils digitaux de classe B, conformément à la partie 15 du règlement FCC. Ces limites sont désignées pour fournir une protection raisonnable contre les interférences nuisibles dans une installation résidentielle. Cet équipement génère, utilise et peut irradier des énergies à fréquences radio et, s'il n'est pas installé en conformité avec les instructions, peut causer des interférences néfastes aux communications radio. Cependant, il n'y a aucune garantie que des interférences n'apparaissent pas dans une installation particulière. Si cet équipement cause des interférences nuisibles à la réception radio ou télévisée, ce qui peut être déterminé en éteignant et allumant l'équipement, l'utilisateur est encouragé à essayer de corriger ces interférences avec une ou plusieurs de ces mesures :

- Réorientez ou remplacez l'antenne de réception.
- Augmentez la séparation entre l'équipement et le récepteur.
- Connectez l'équipement à une prise ou un circuit différent de celui auquel est connecté le récepteur.
- Consultez le fournisseur ou un technicien TV/radio expérimenté pour de l'aide.

Canada

Cet appareil numérique de la classe A est conforme à la norme NMB-3B du Canada.

Canada IC Statements : Le présent appareil est conforme aux CNR d'Industrie Canada applicables aux appareils radio exempts de licence. L'exploitation est autorisée aux deux conditions suivantes : (1) l'appareil ne doit pas produire de brouillage, et (2) l'utilisateur de l'appareil doit accepter tout brouillage radioélectrique subi, même si le brouillage est susceptible d'en compromettre le fonctionnement.

CONTACTEZ

Conçu & Développé par by SOEN Audio,
31368 Via Colinas, Suite 106, Westlake Village
Californie 91362 USA

Téléphone/Fax: 1.888.418.3676
www.SoenAudio.com

© 2013 SOEN Audio tous droits réservés. SOEN™, le logo SOEN™ et TRANSIT™ sont des marques déposées de SOEN Audio. Apple®, iPad® and iPhone® sont des marques déposées de Apple Inc., immatriculées aux USA et autres pays. Le mot et logo Bluetooth® sont la propriété de Bluetooth® SIG, Inc. Et toute utilisation de telles marques par SOEN est sous licence.

